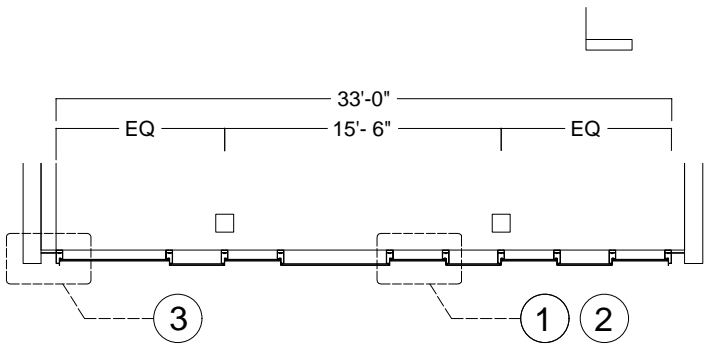
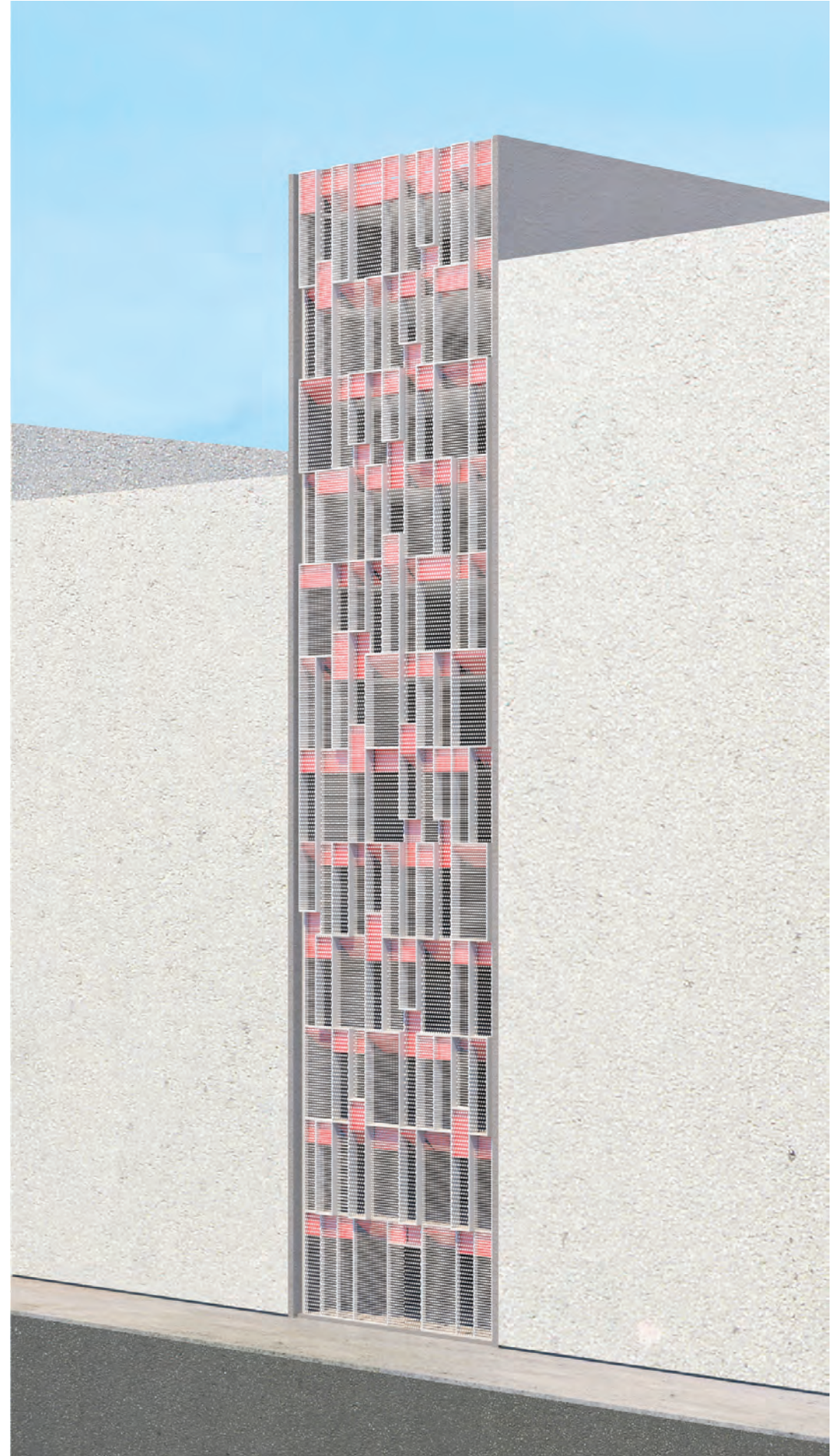
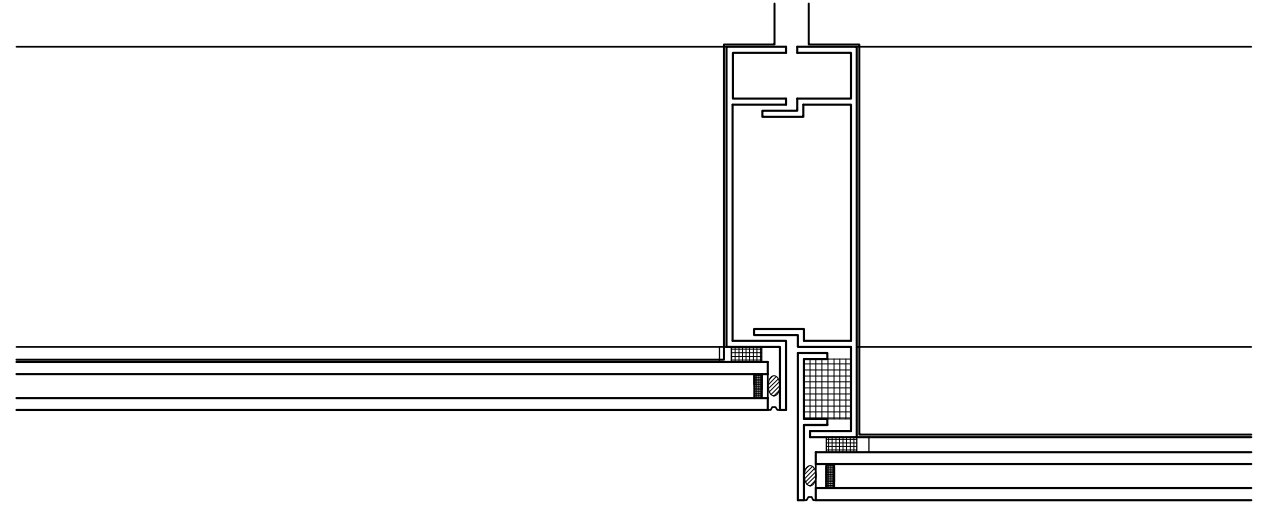
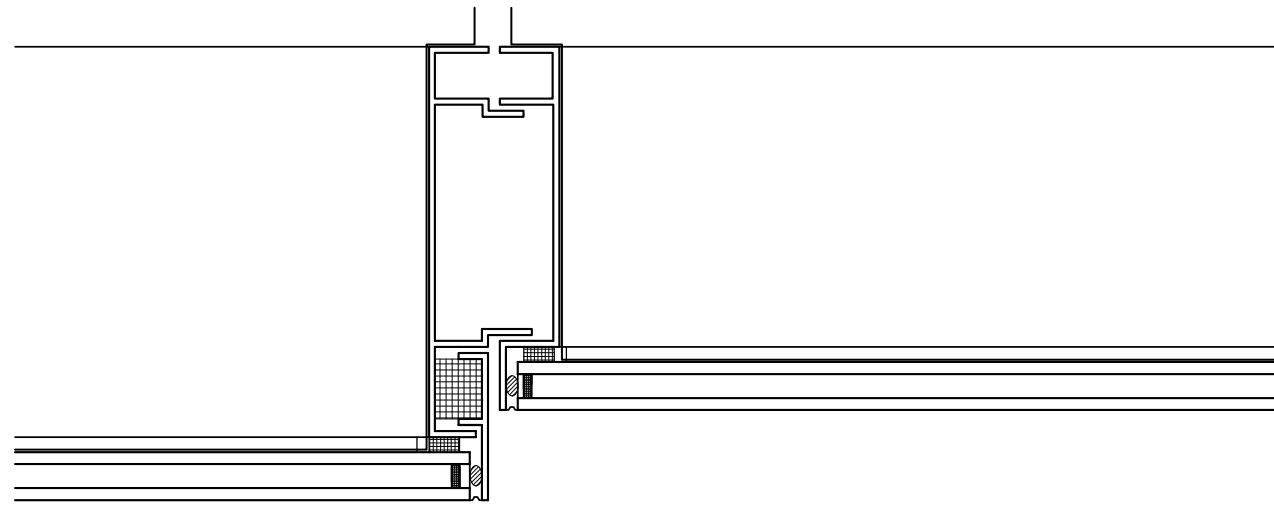


Philip Taaffe, Color Field Painting, 1983

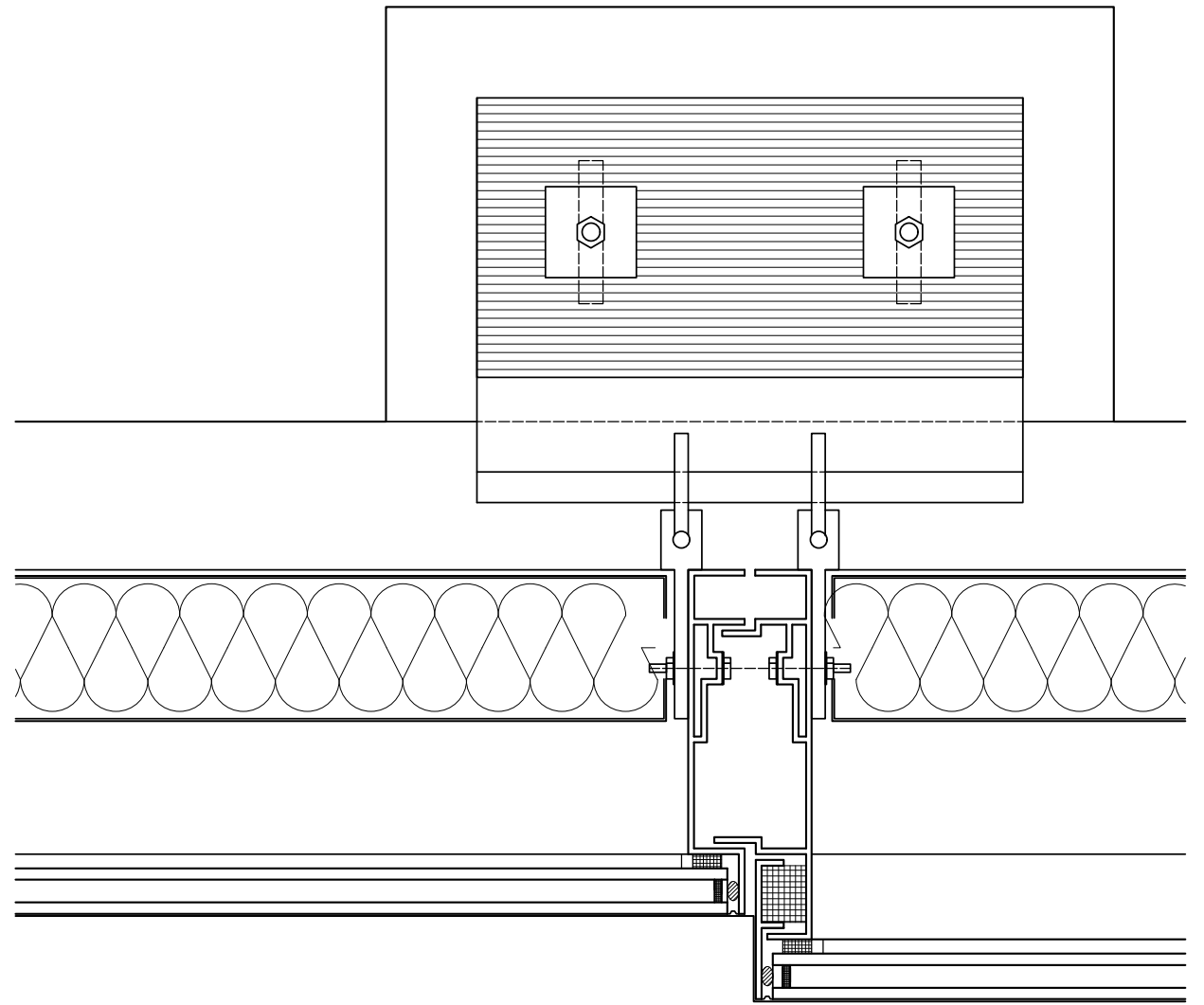
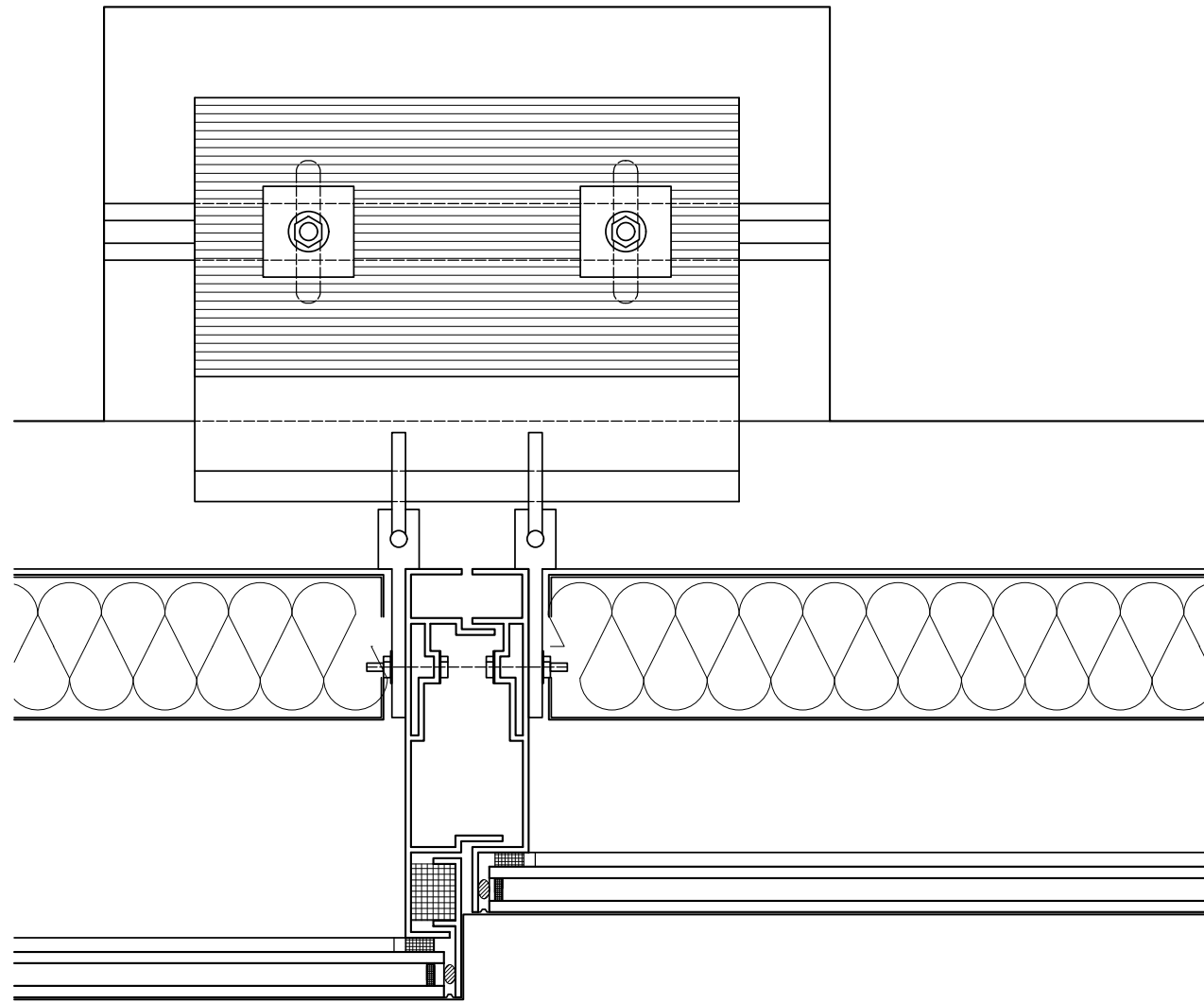






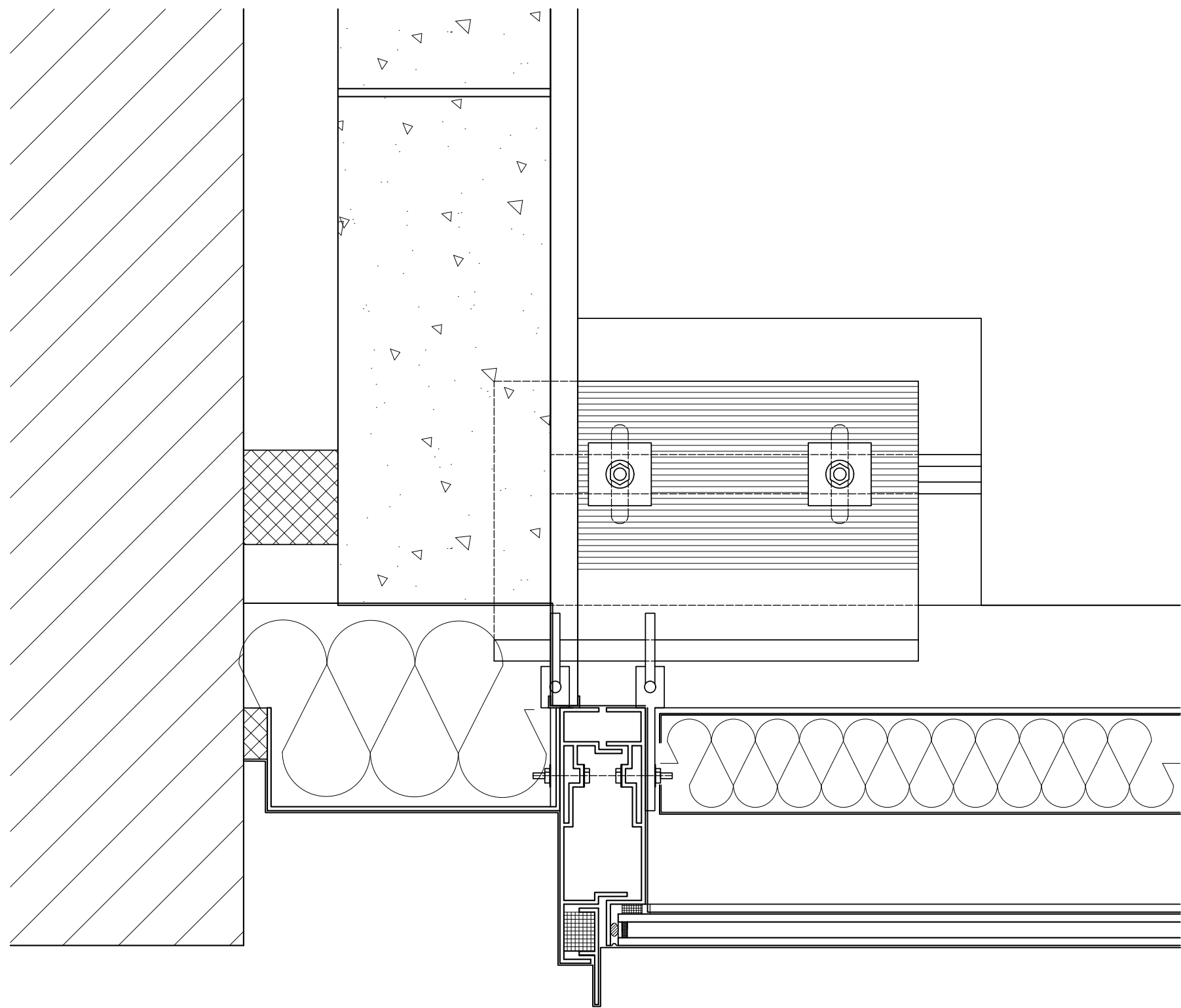
1

PLAN



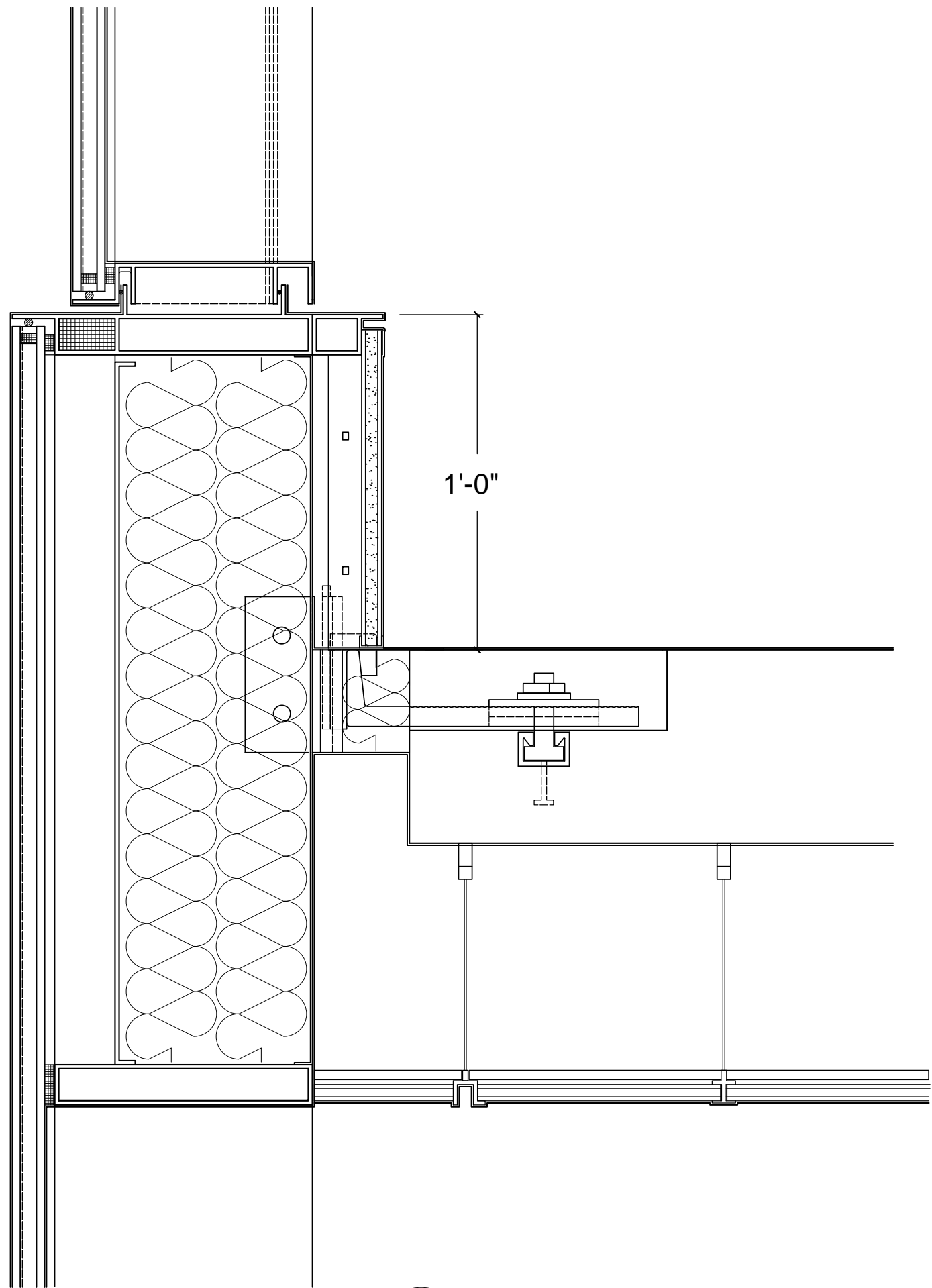
2

PLAN
ANCHOR DETAIL

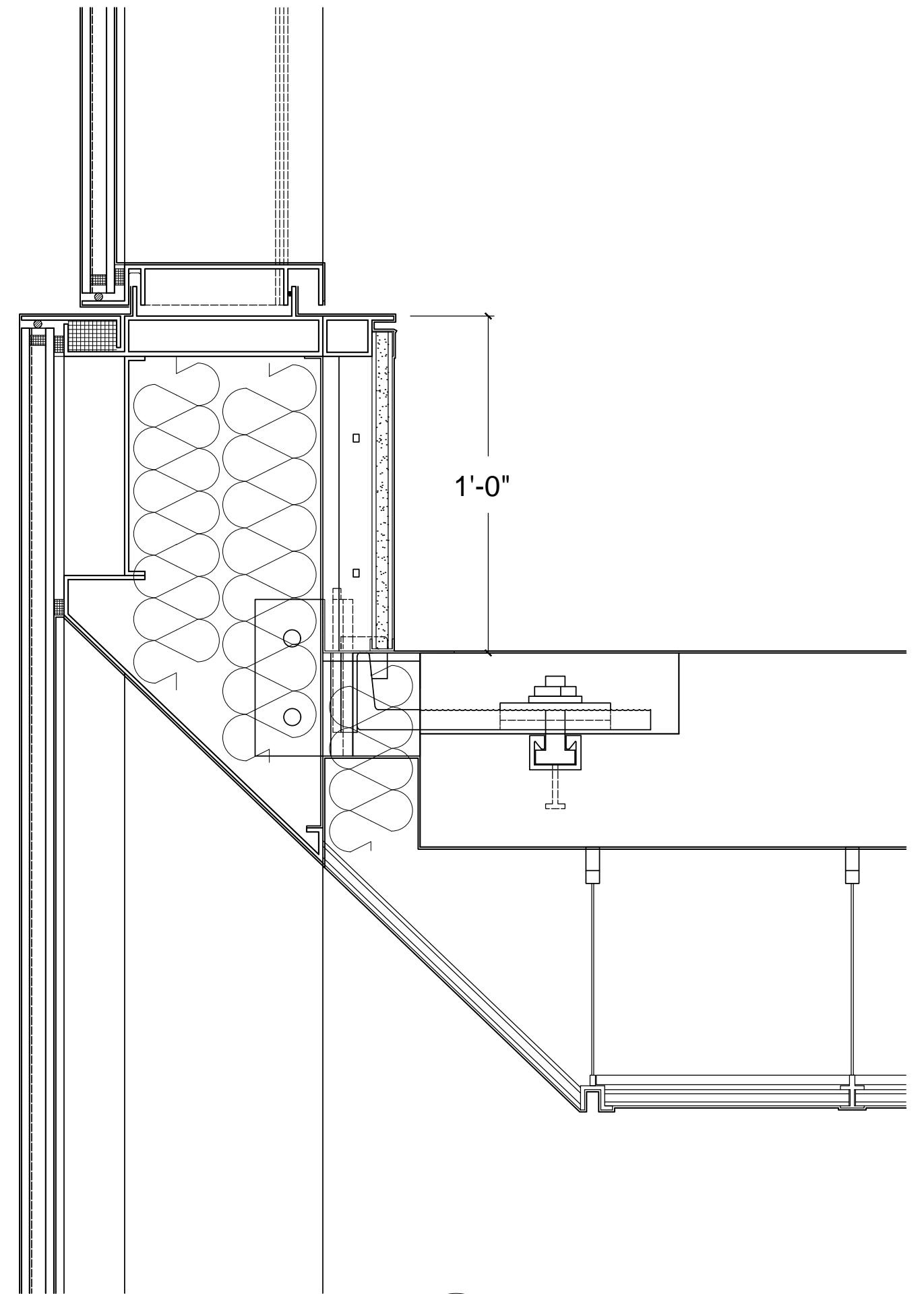


3

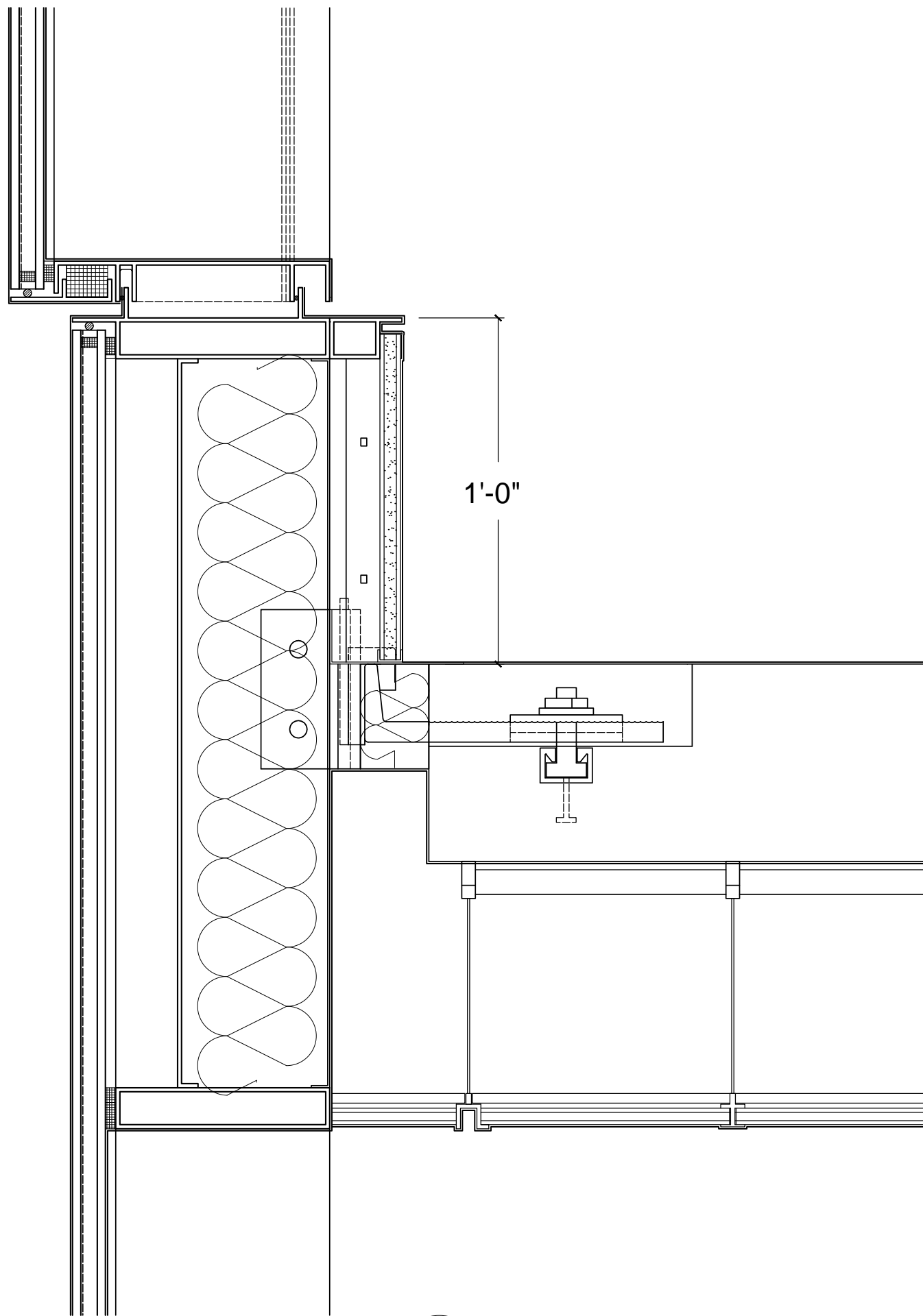
PLAN
END WALL DETAIL



4 STACK JOINT A, CEILING 1
(1' ABOVE SLAB)

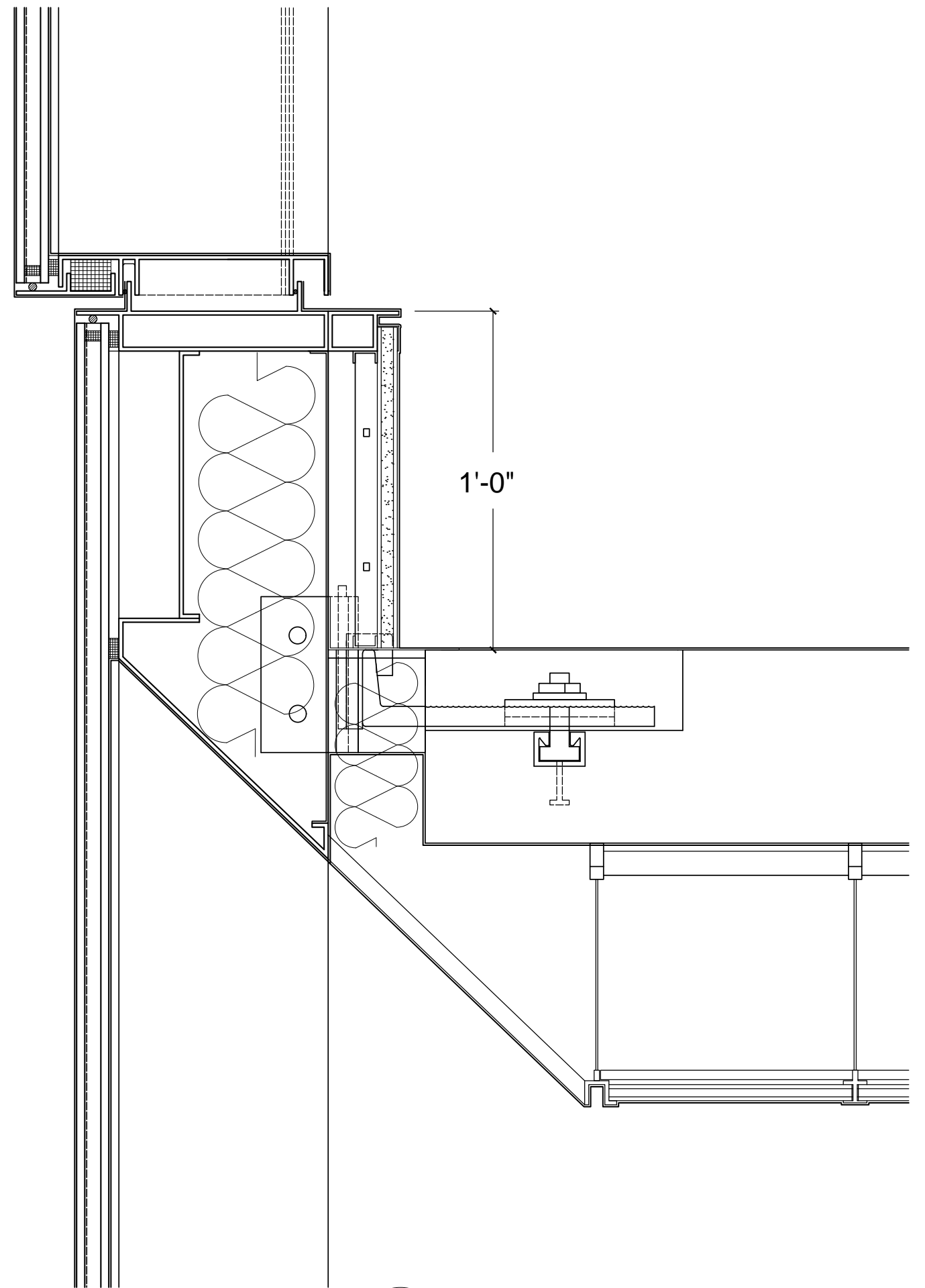


5 STACK JOINT A, CEILING 2
(1' ABOVE SLAB)



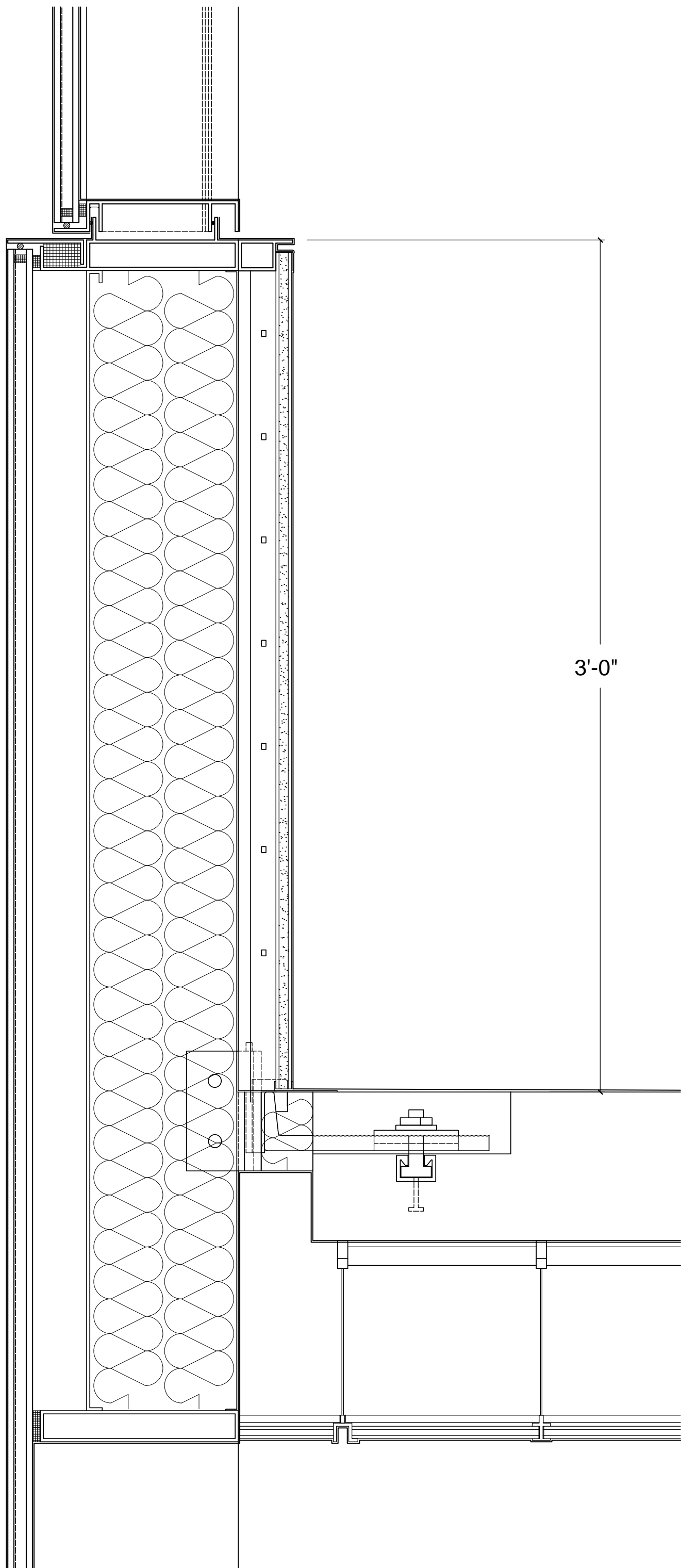
6

STACK JOINT B, CEILING 1
(1' ABOVE SLAB)



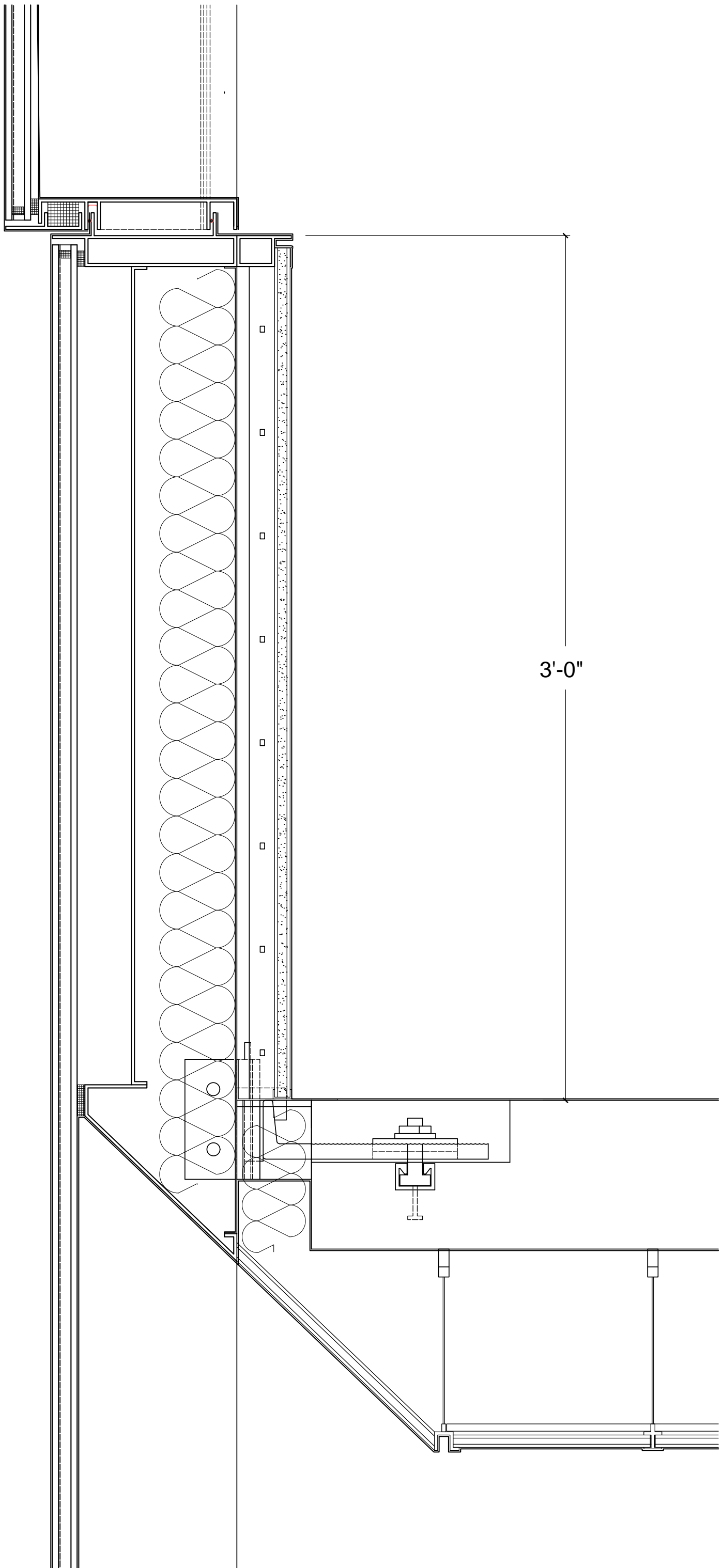
7

STACK JOINT B, CEILING 2
(1' ABOVE SLAB)



8

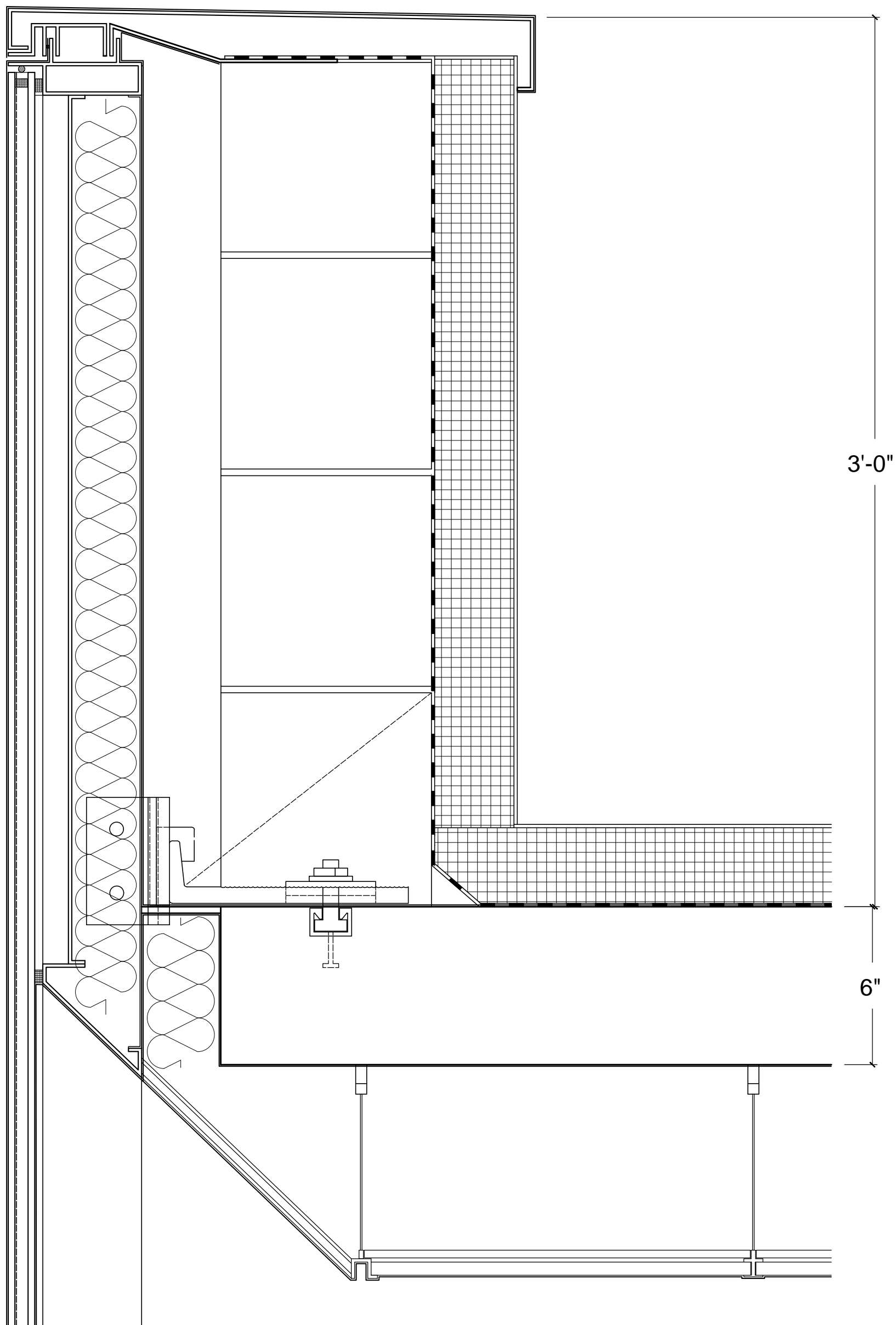
STACK JOINT A, CEILING 1
(3' ABOVE SLAB)



3'-0"

9

STACK JOINT B, CEILING 2
(3' ABOVE SLAB)



10

PARAPET DETAIL