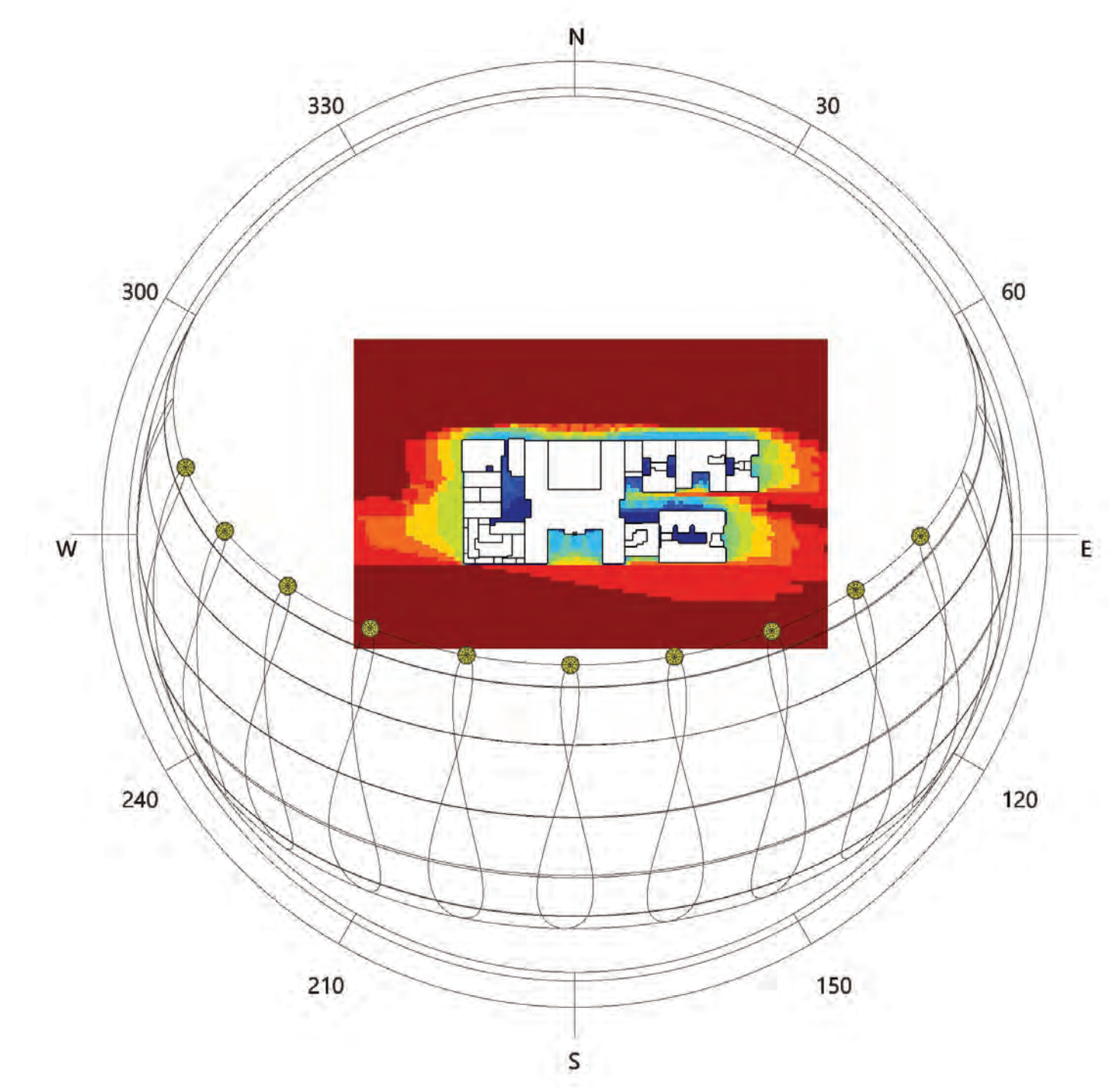


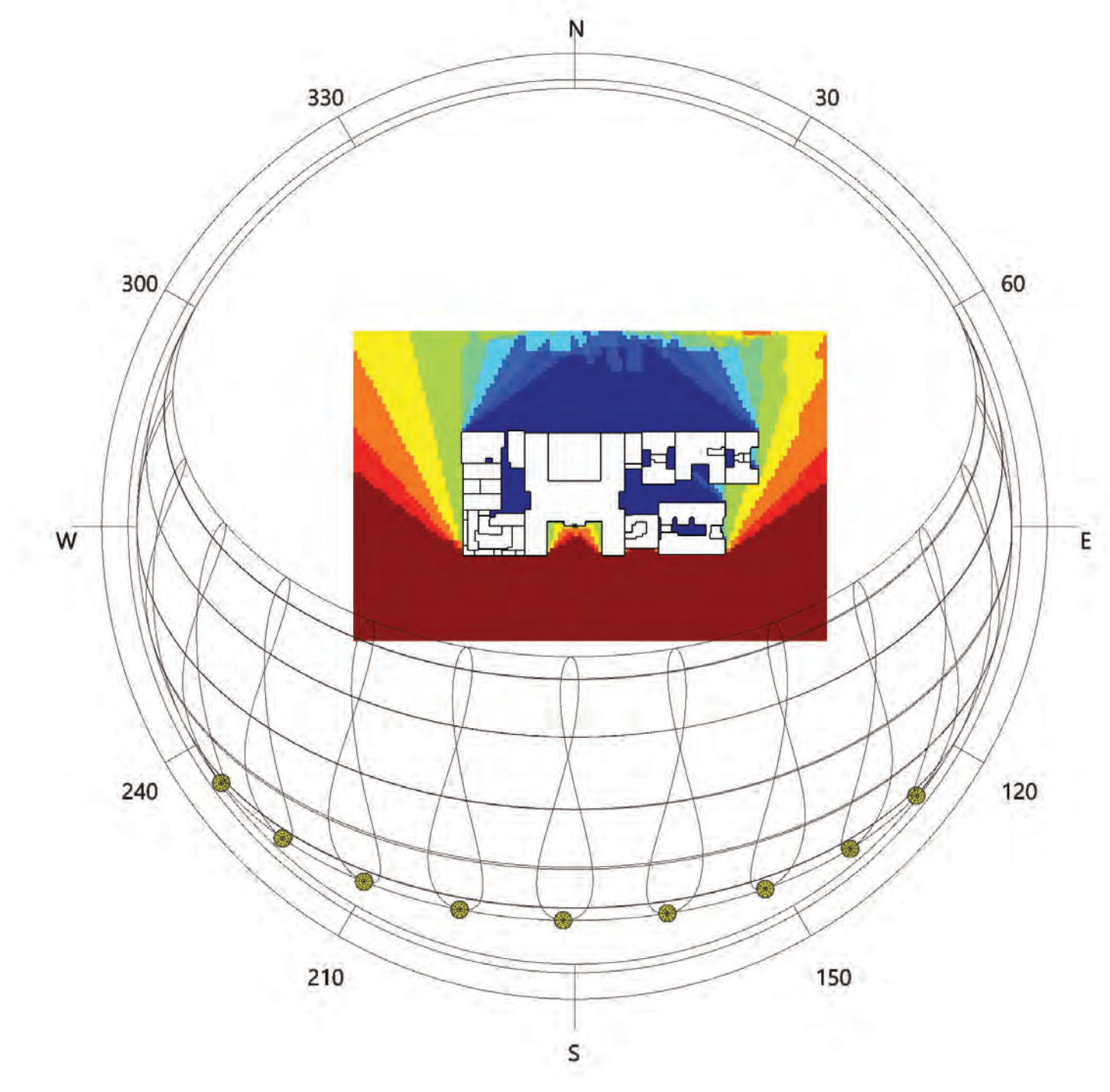
TRANSPORTATION



SUN LIGHT HOURS



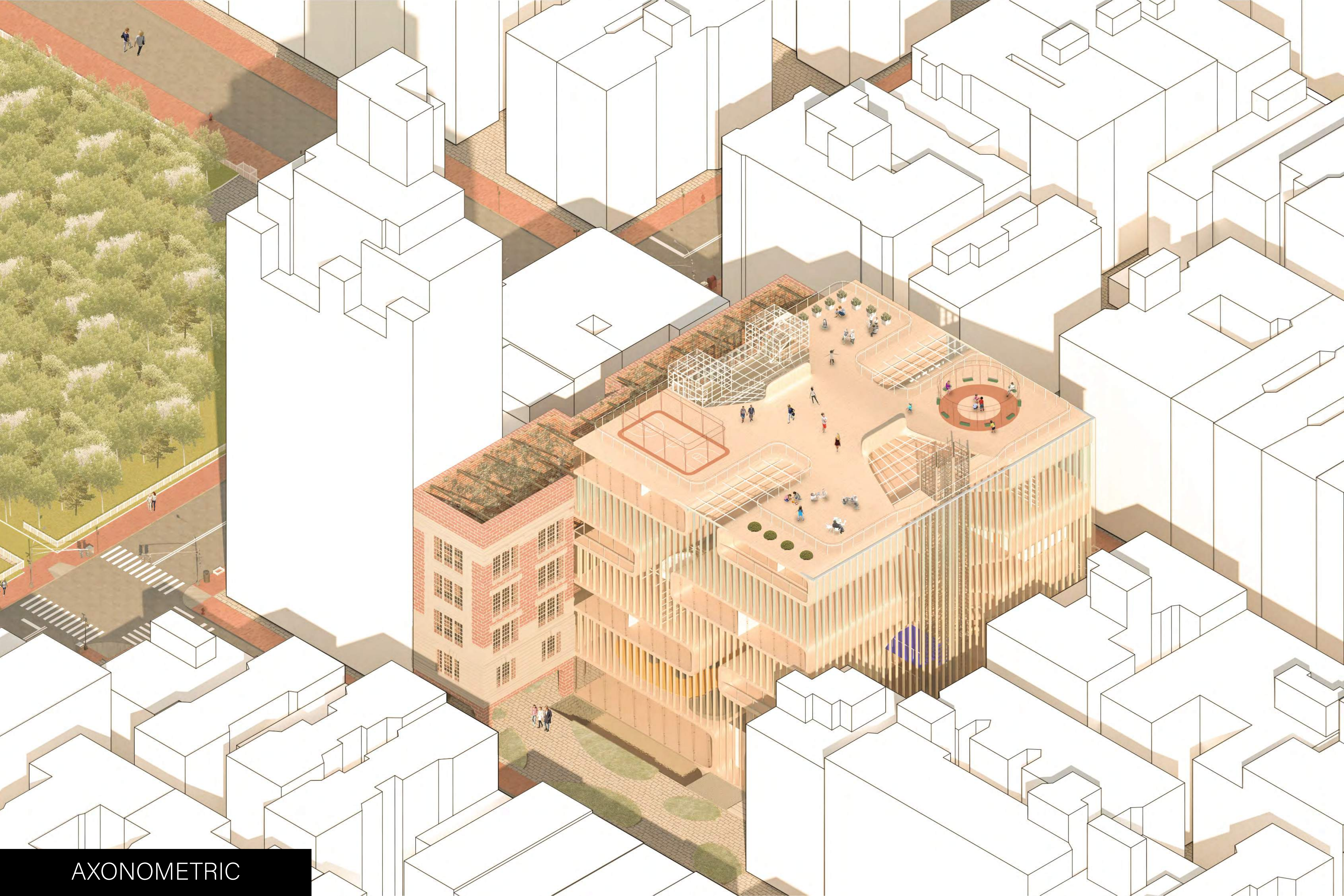
JUNE 20
FROM 8AM TO 6PM



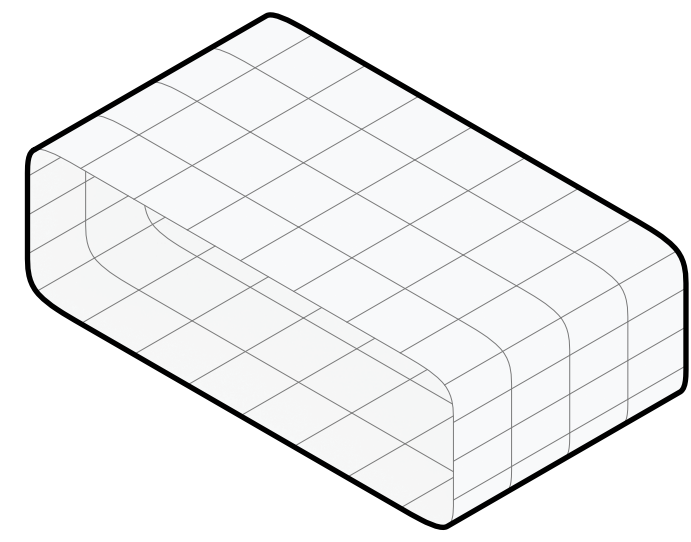
DECEMBER 20
FROM 8AM TO 6PM



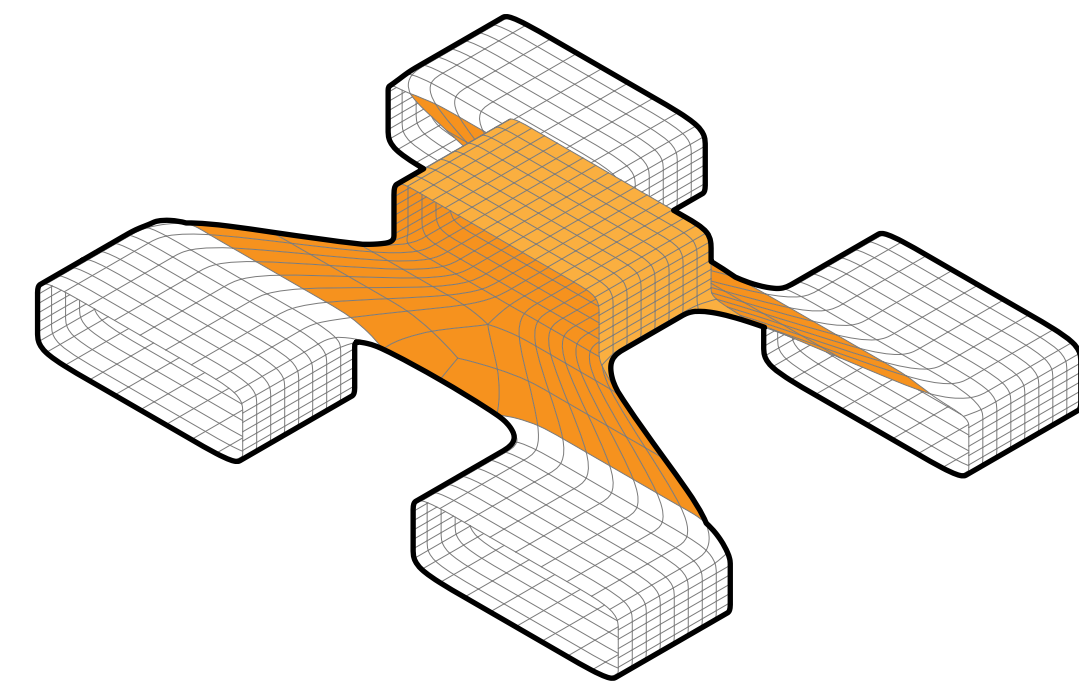
PROTOTYPE MODLE



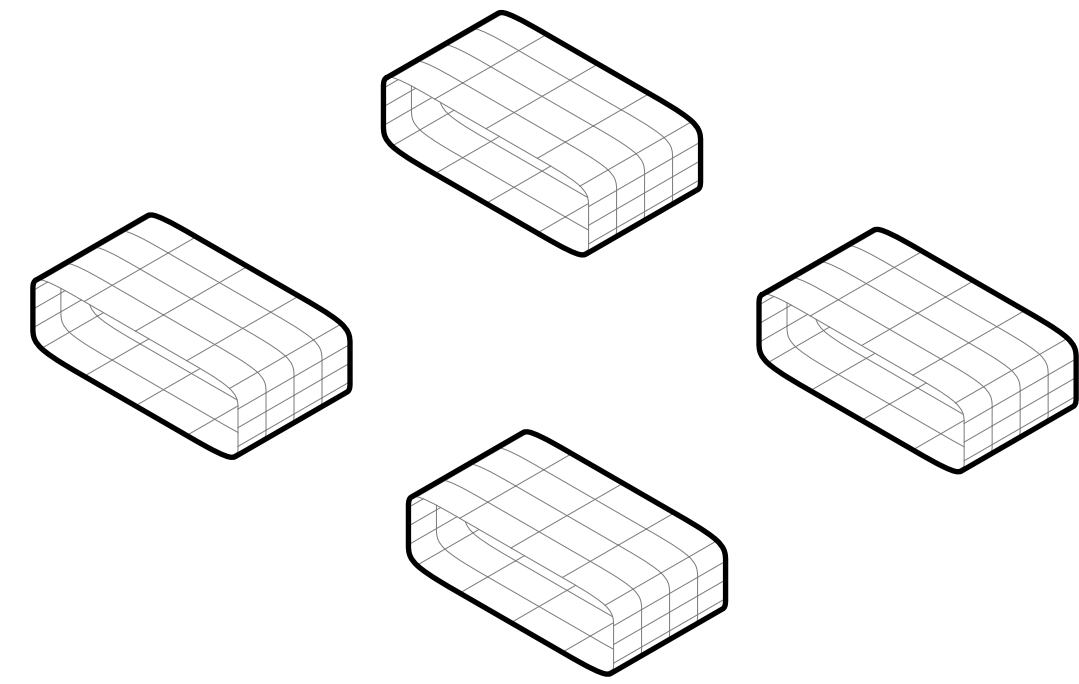
AXONOMETRIC



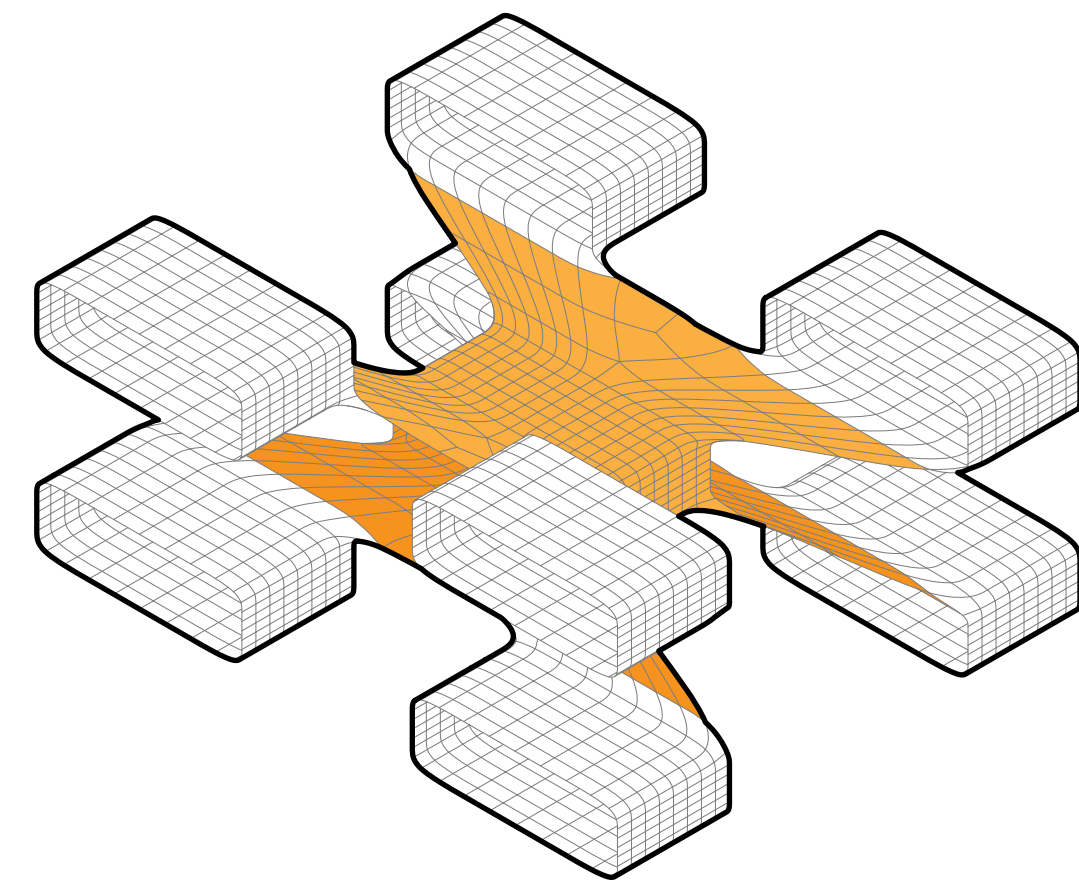
SIGNLE UNIT



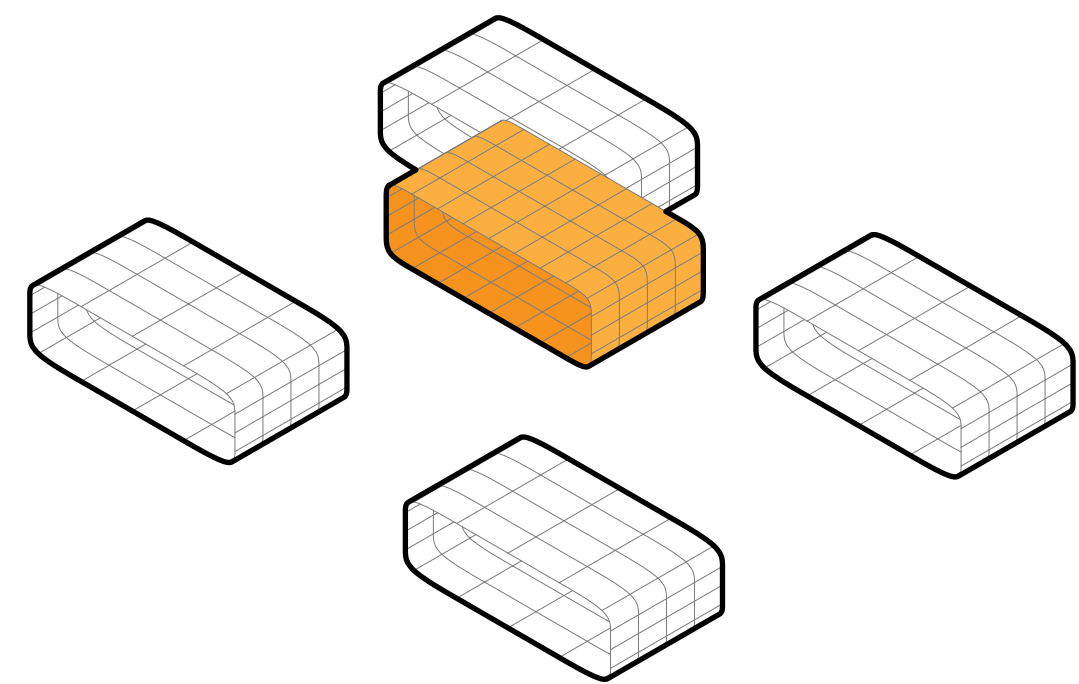
TYPICAL FLOOR PLAN



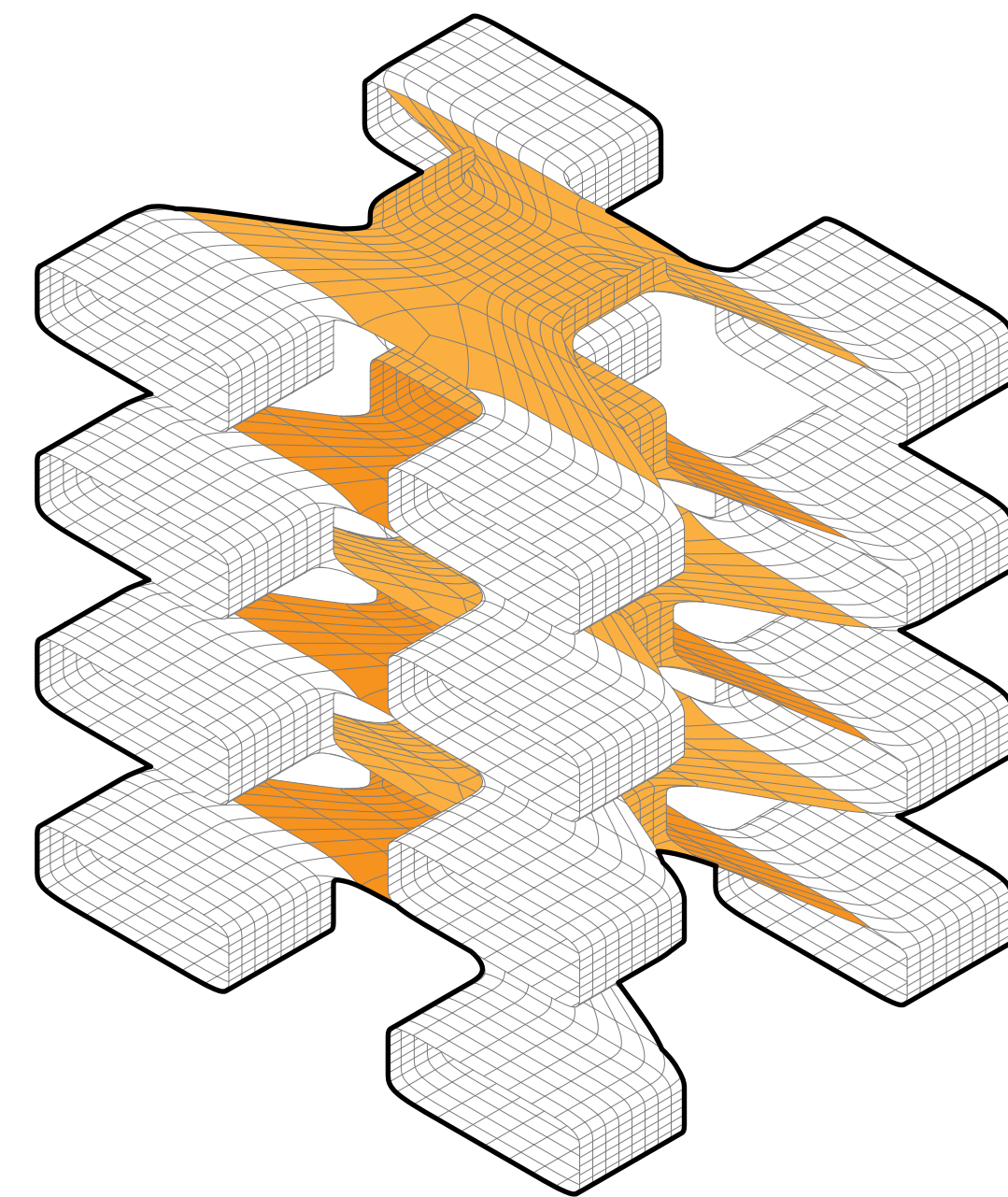
SEPERATE UNIT



PILE UP

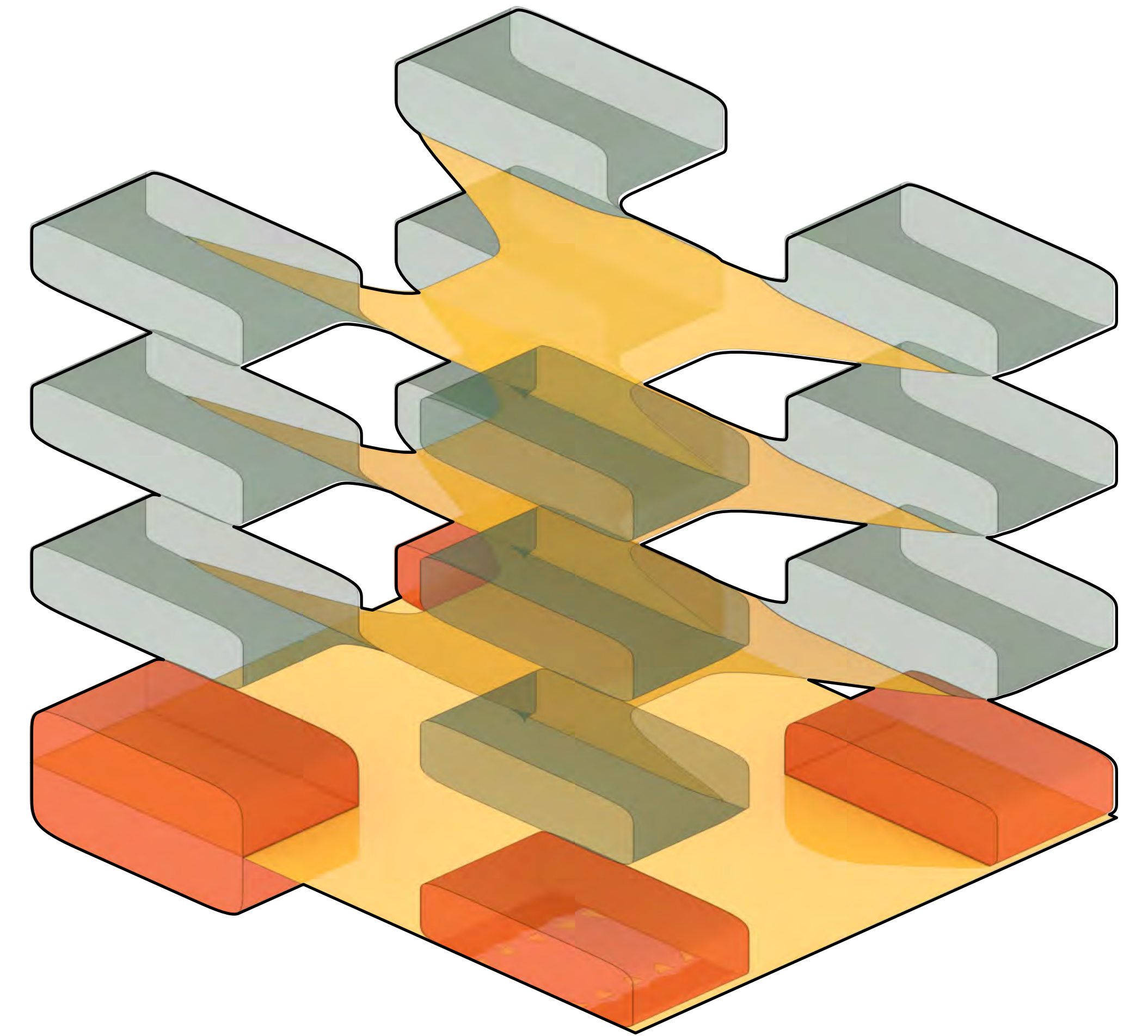


ADD CONNECTION UNIT

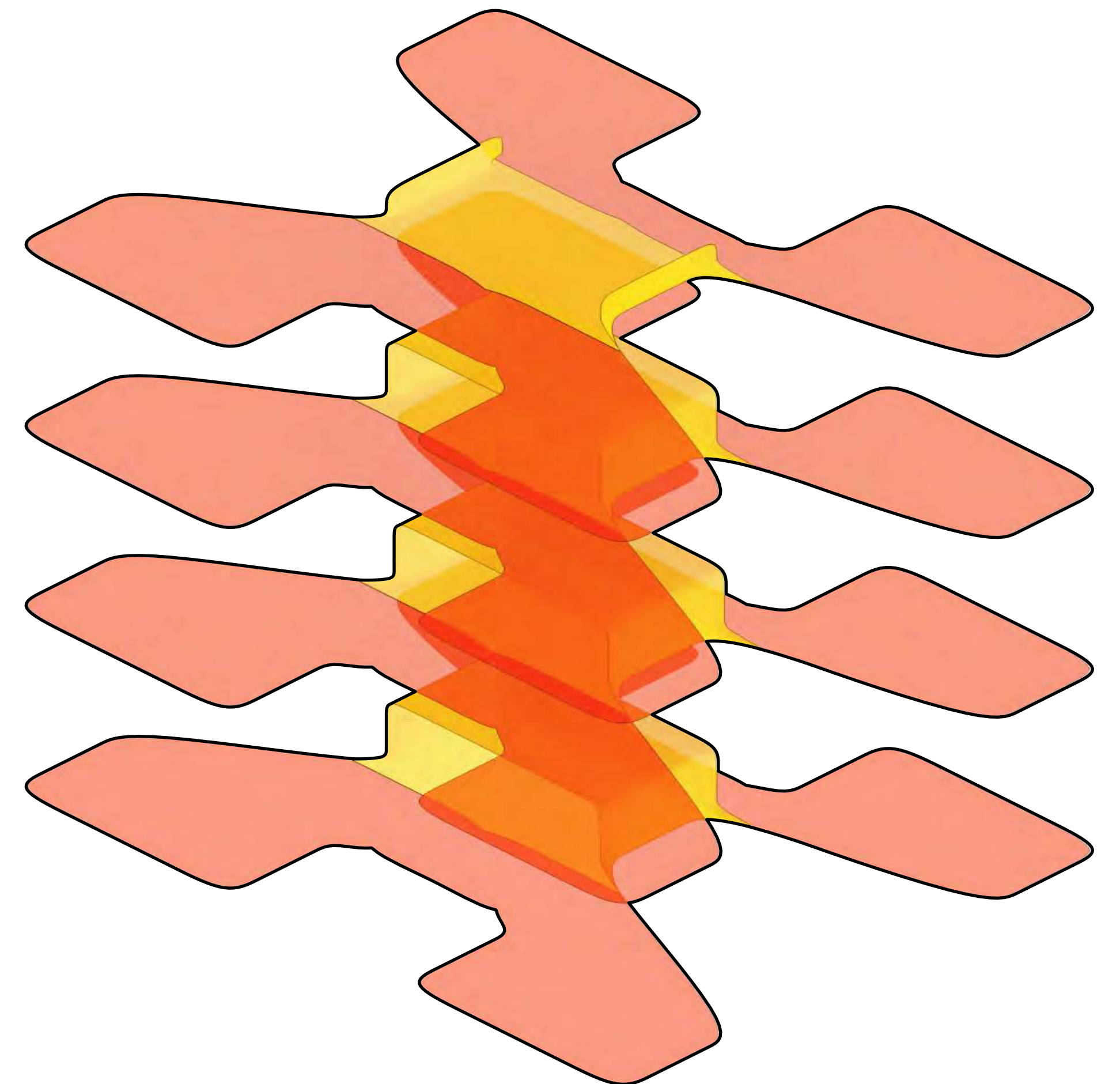


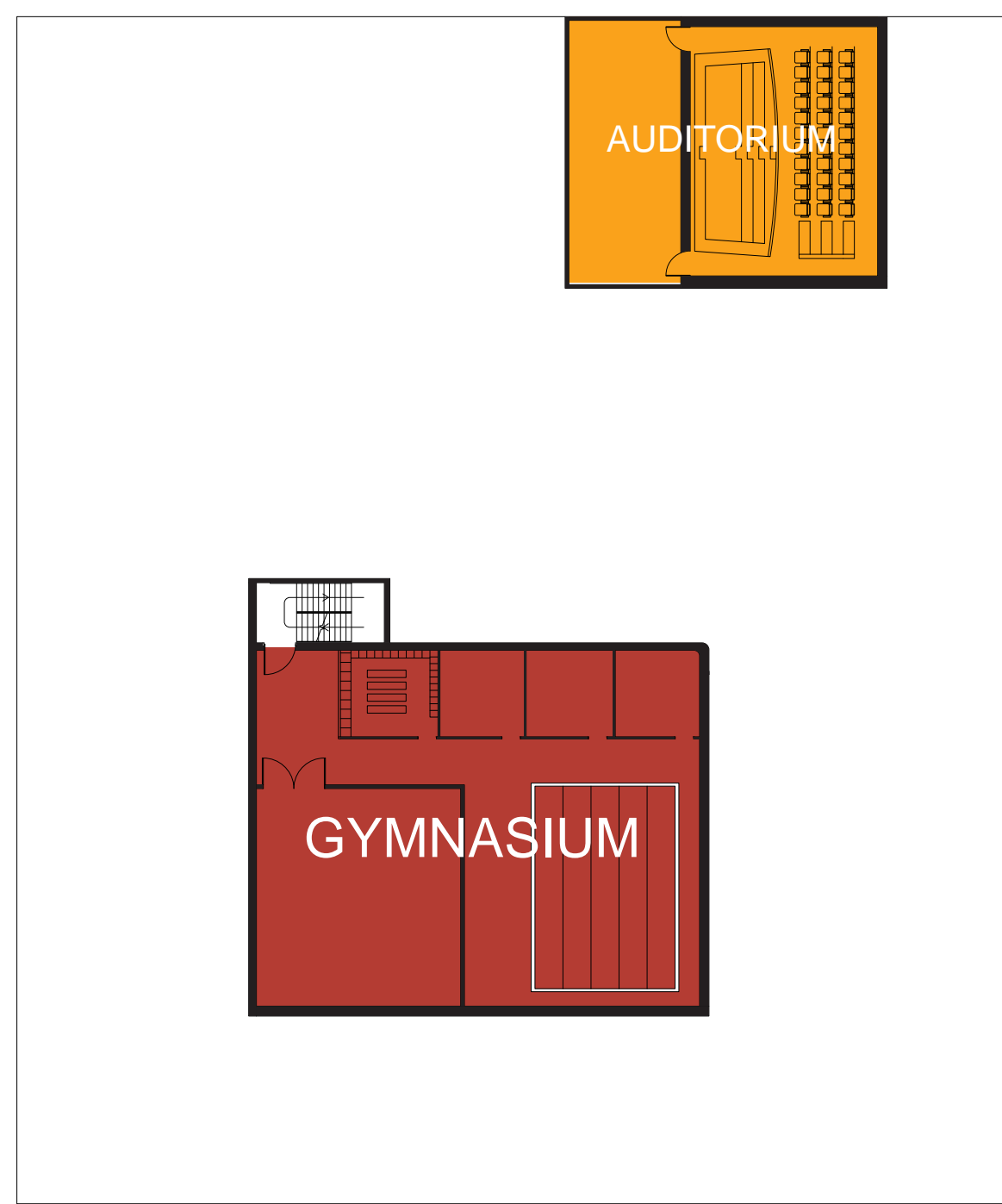
CONNECT ALL SURFACE

PRIVATE SPACE

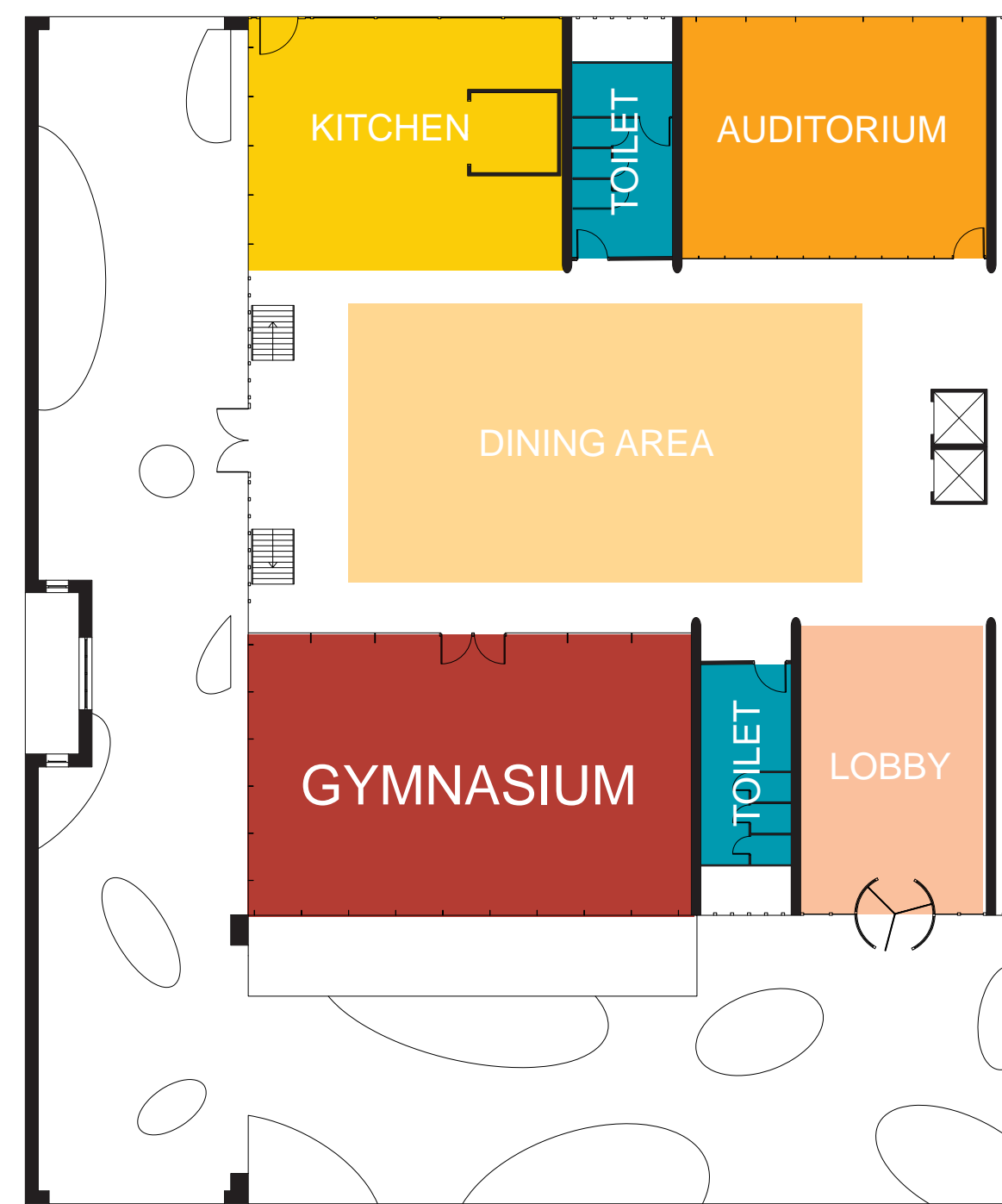


PUBLIC SPACE

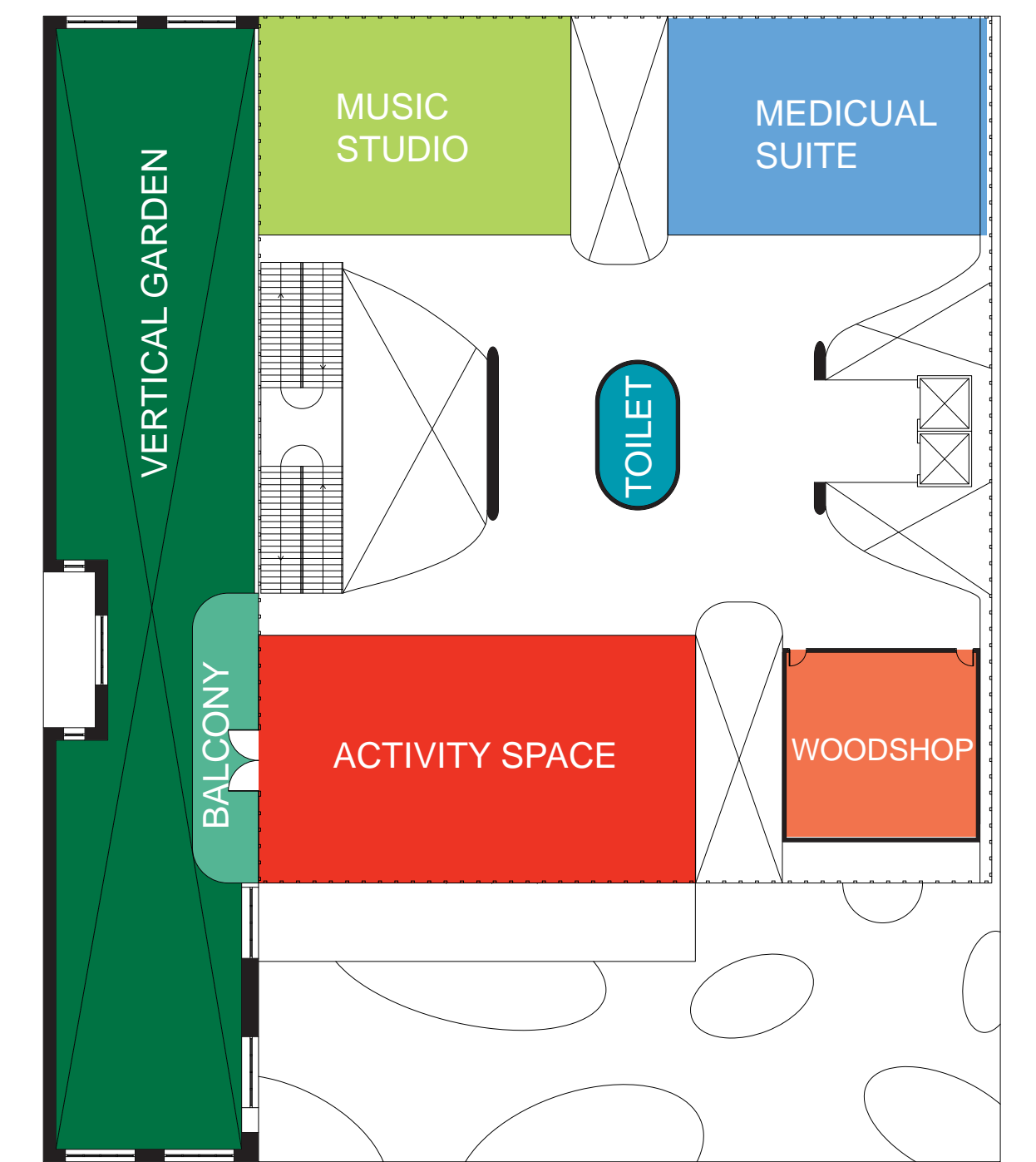




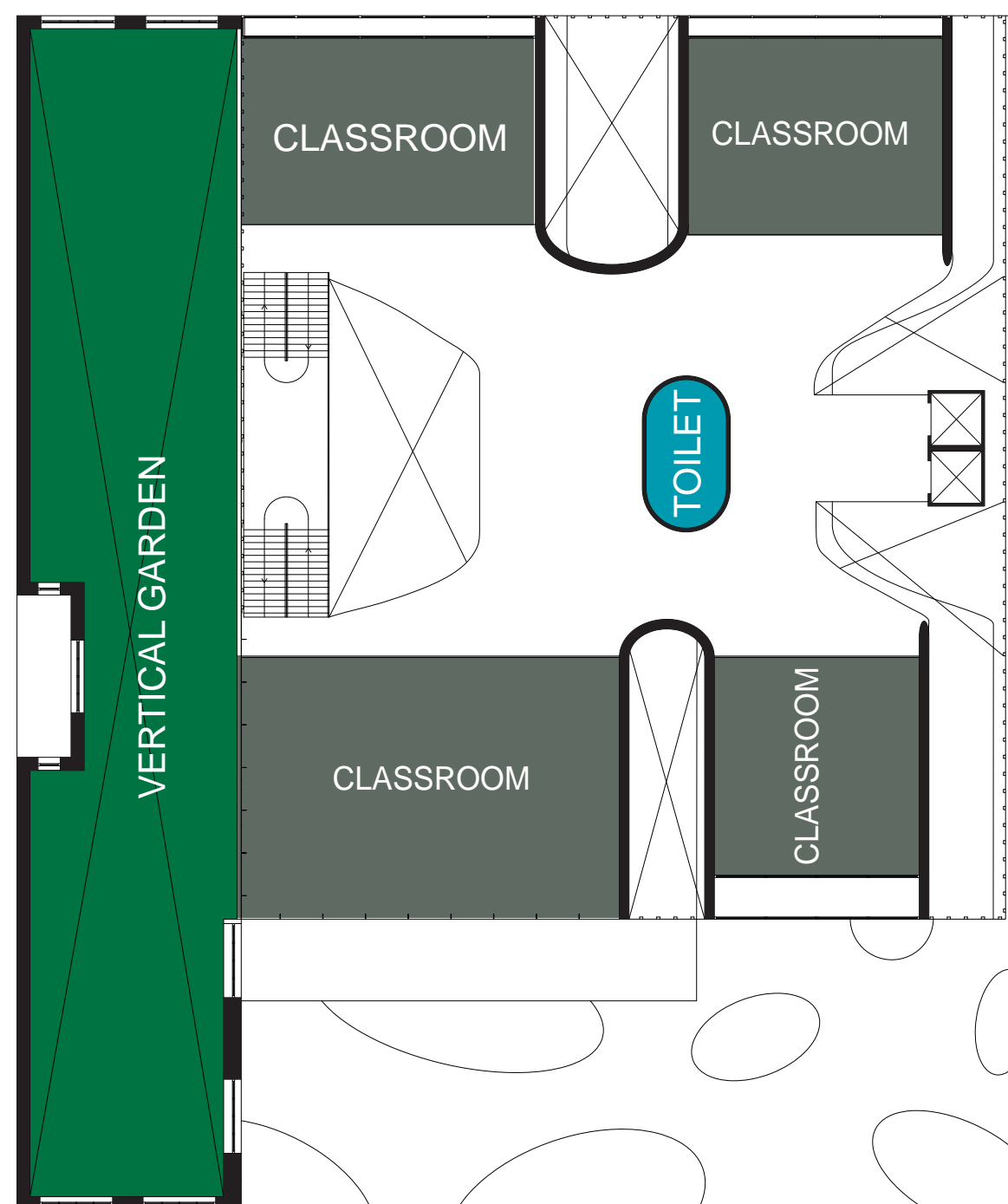
BASEMENT



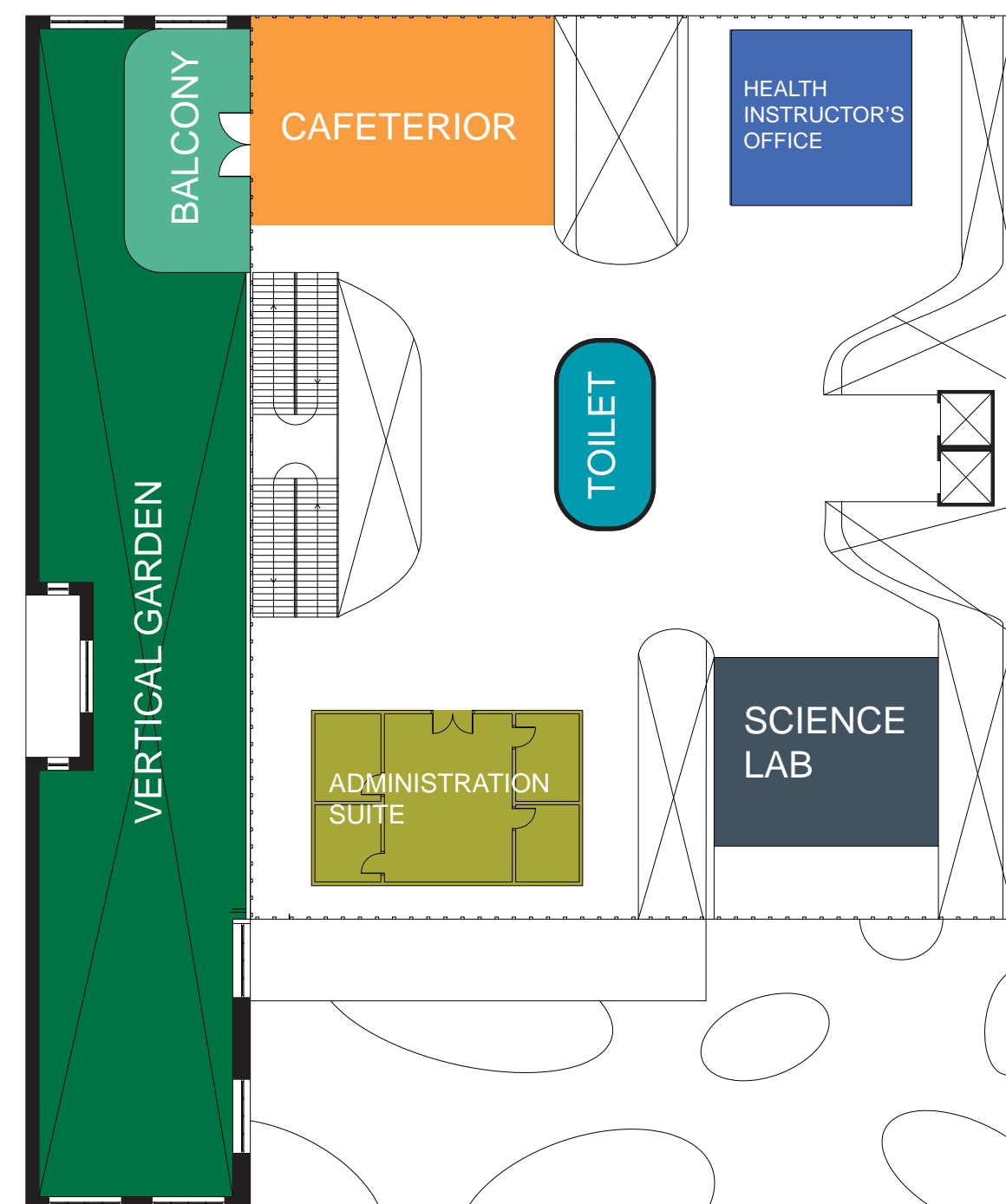
GROUND FLOOR



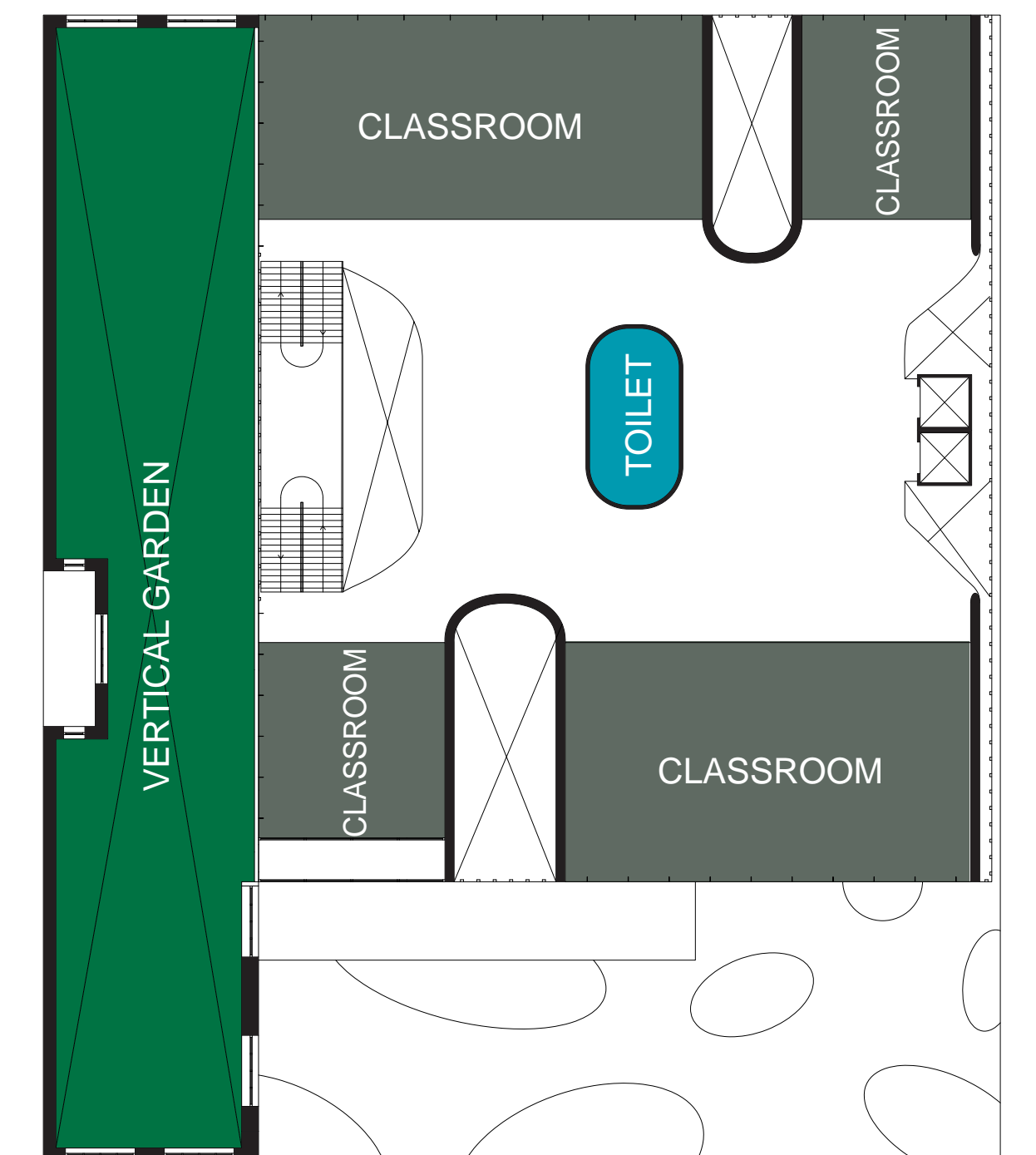
2ND FLOOR



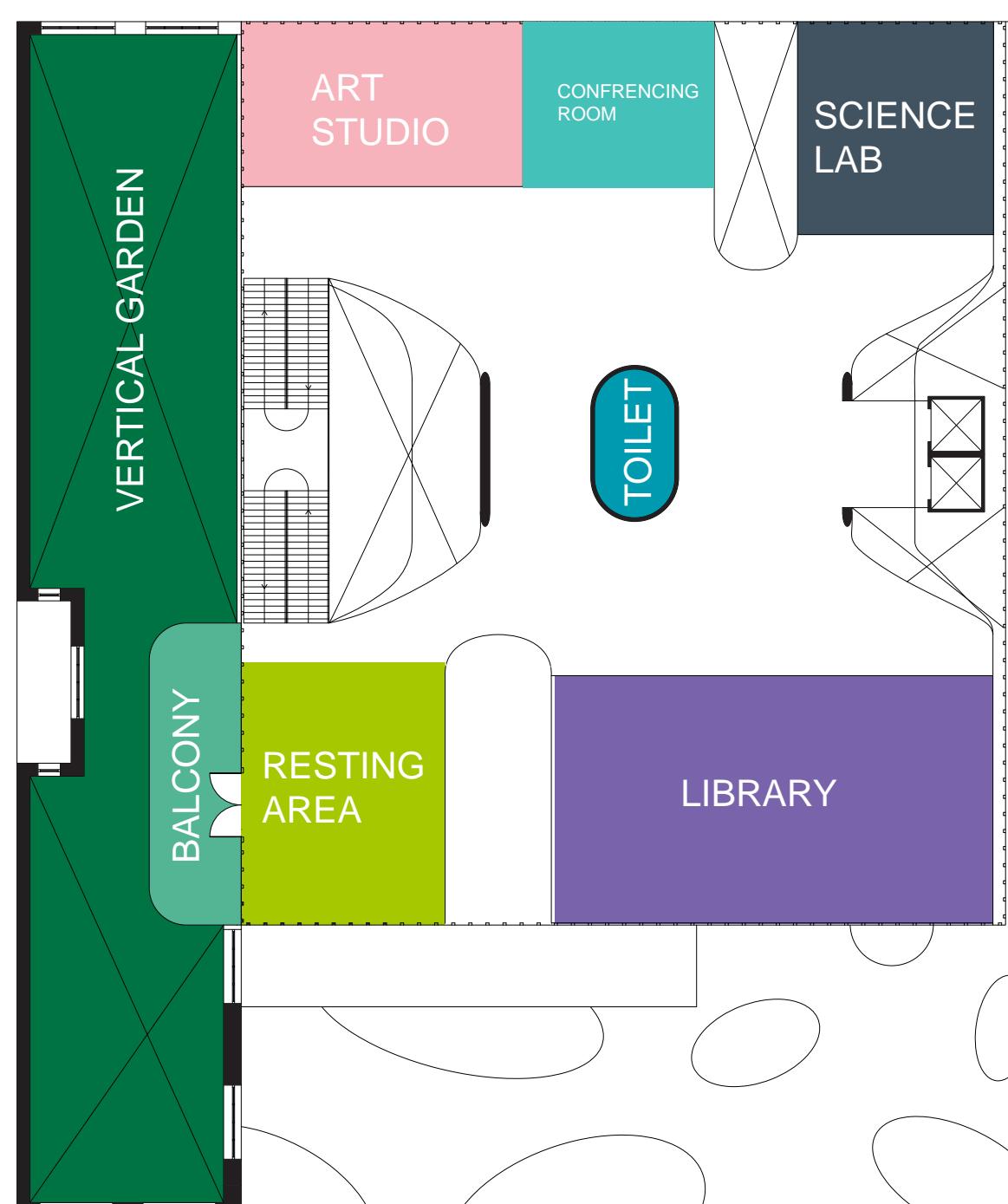
3RD FLOOR



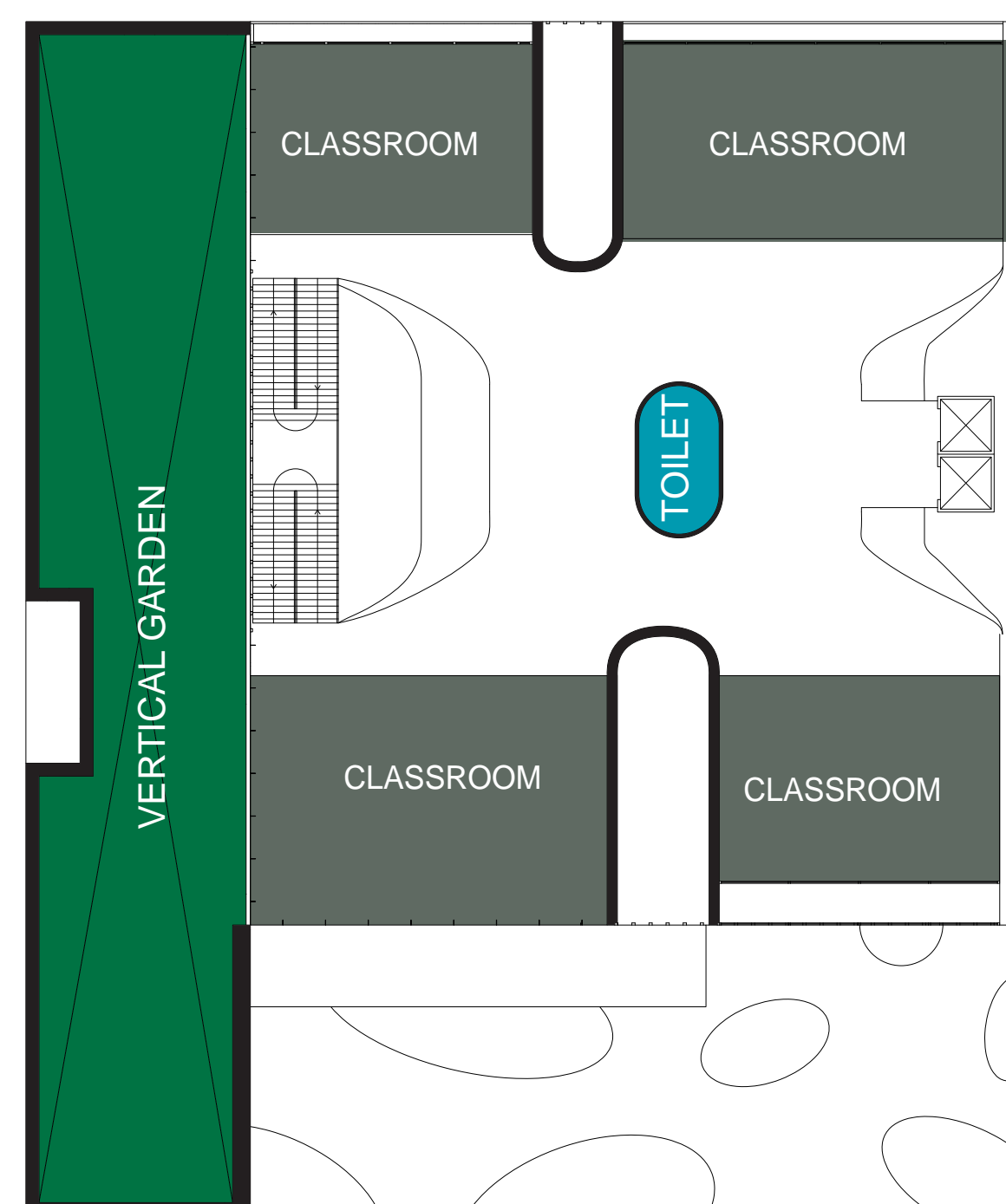
4TH FLOOR



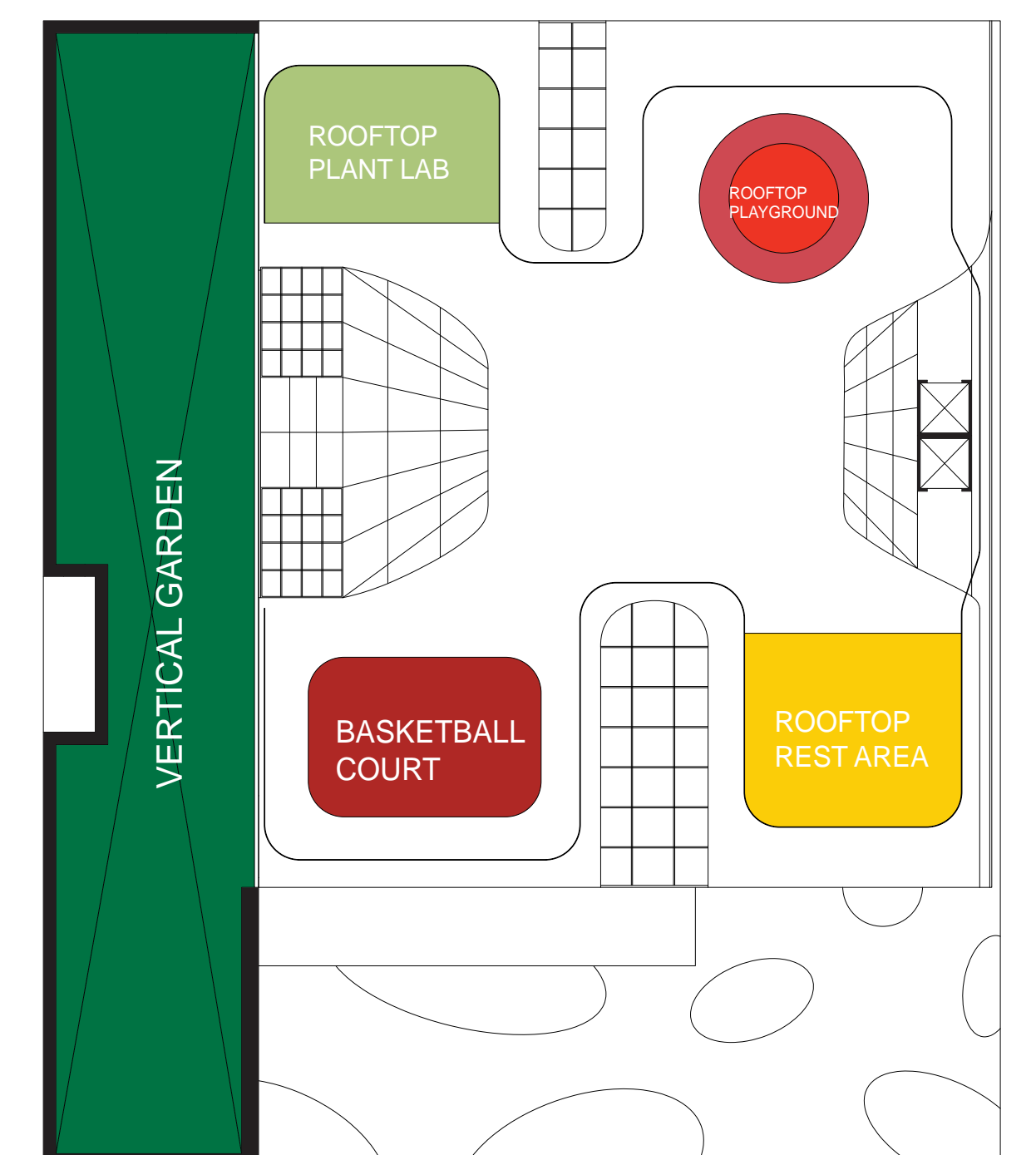
5TH FLOOR



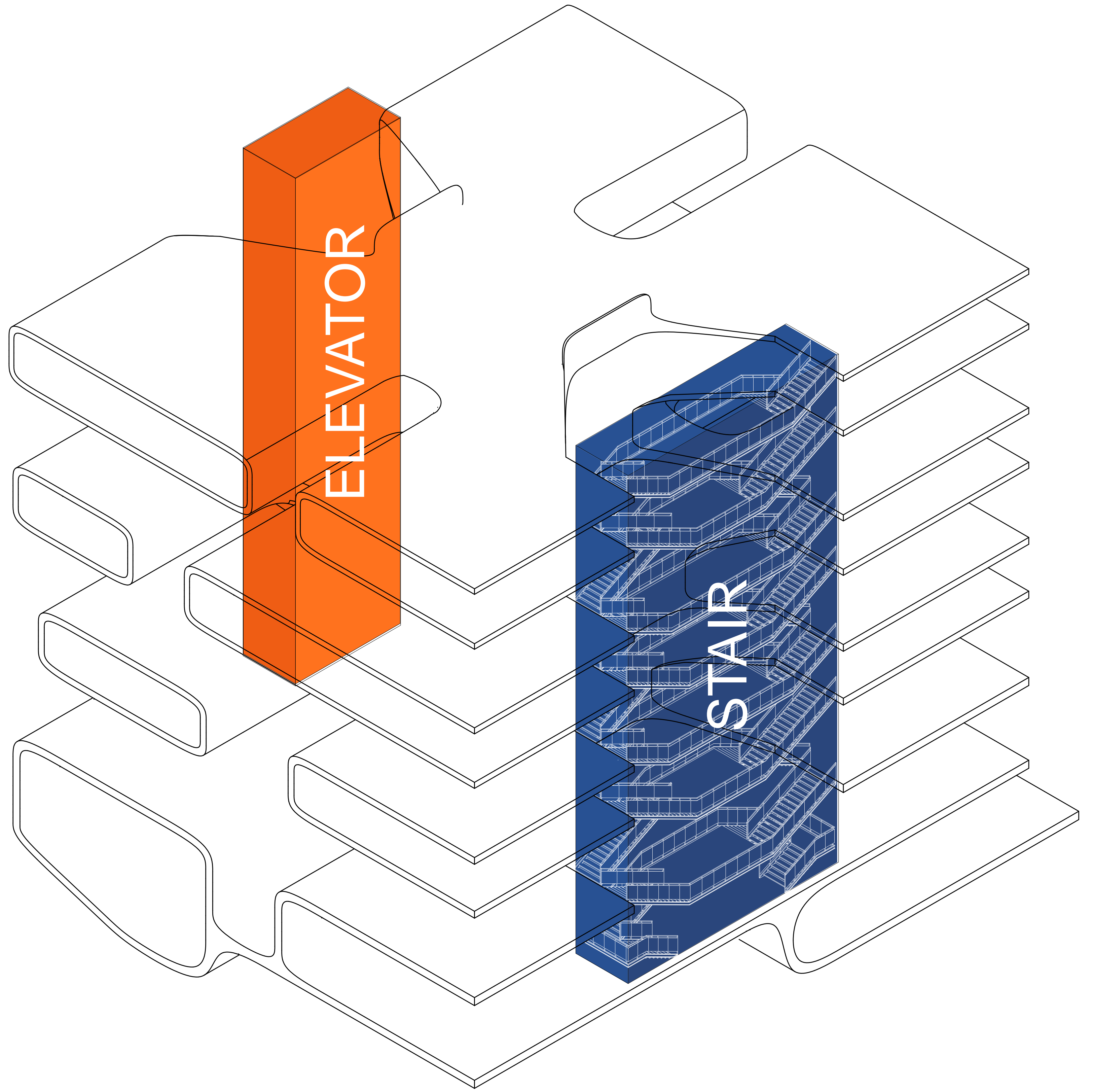
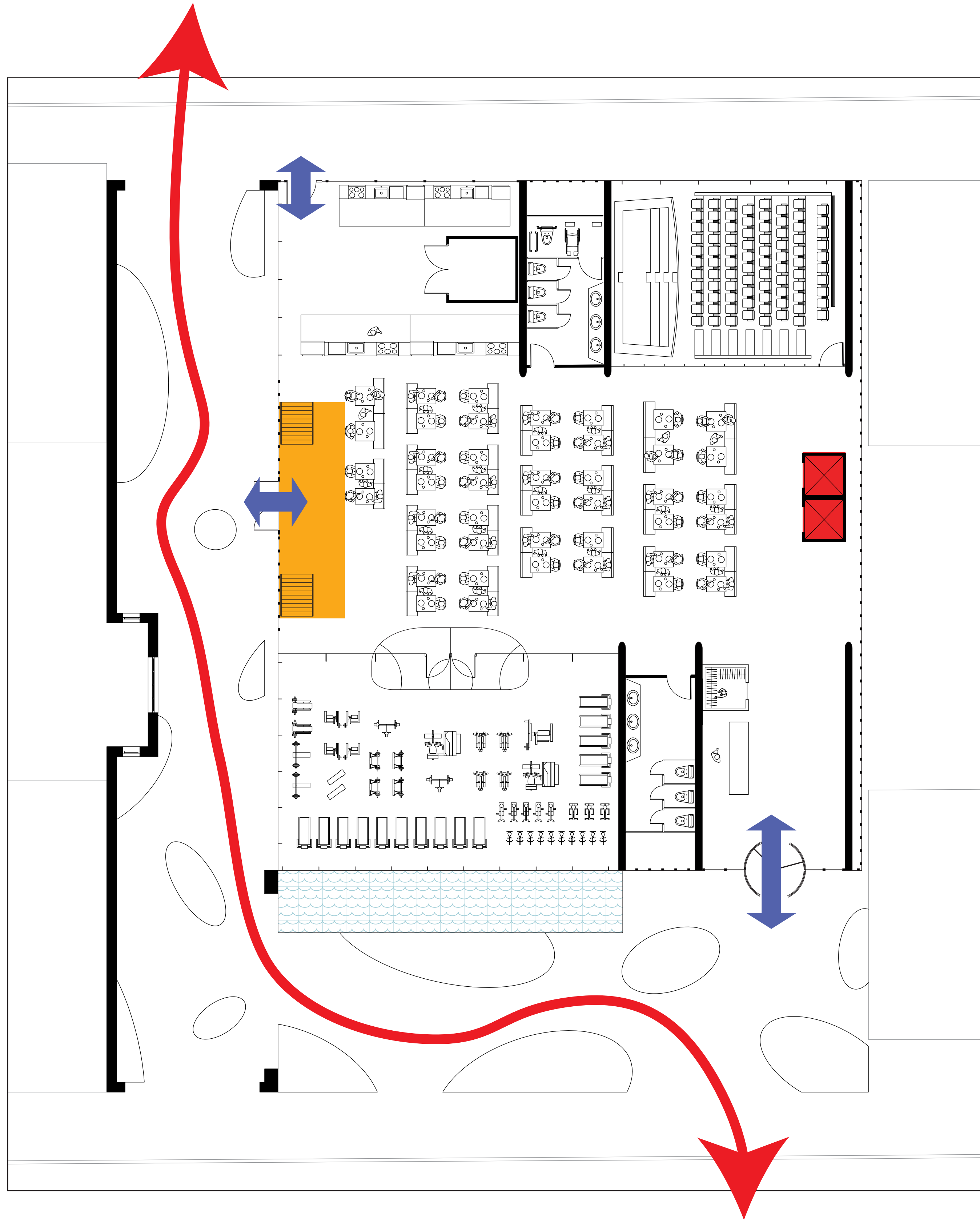
6TH FLOOR



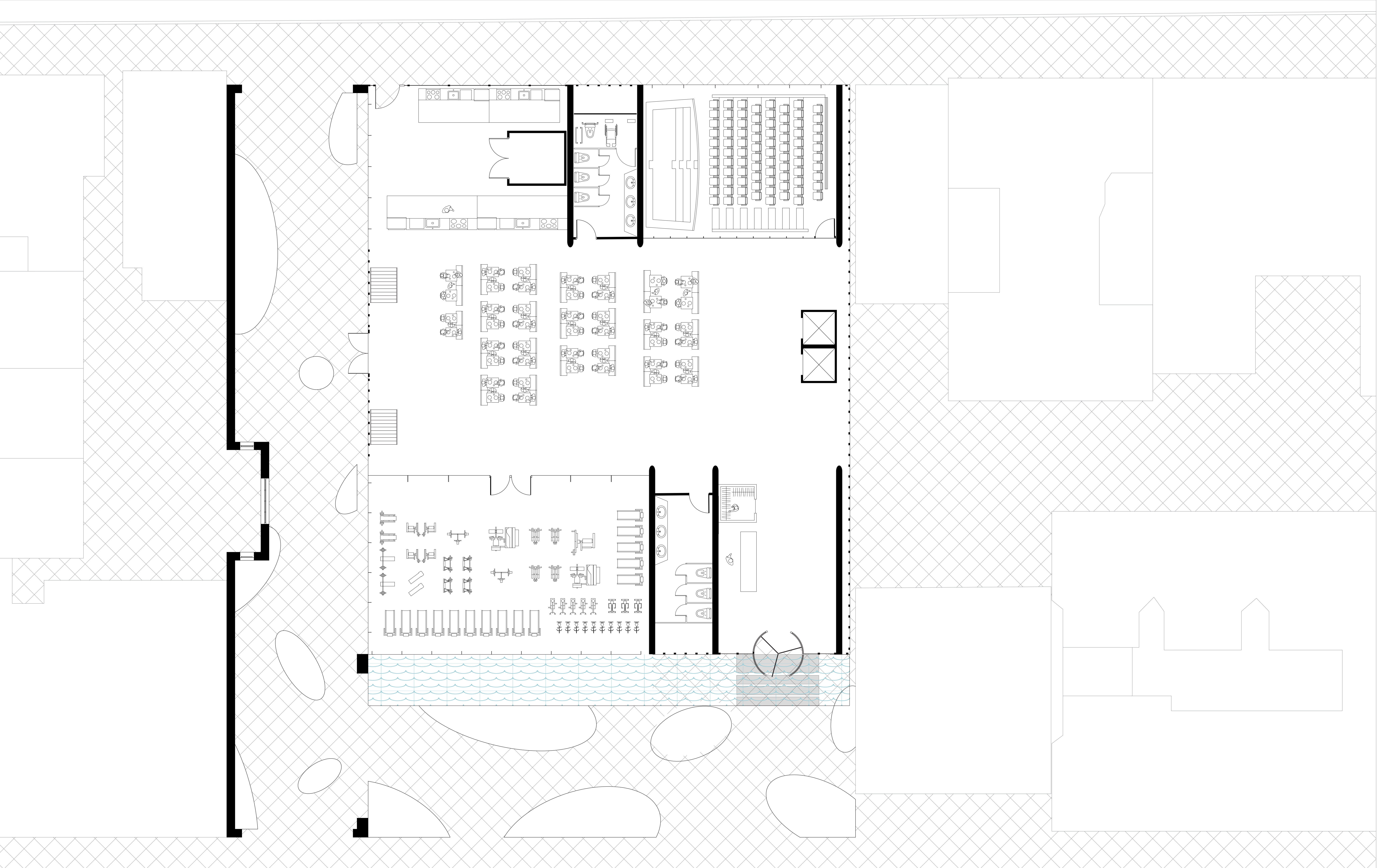
7TH FLOOR



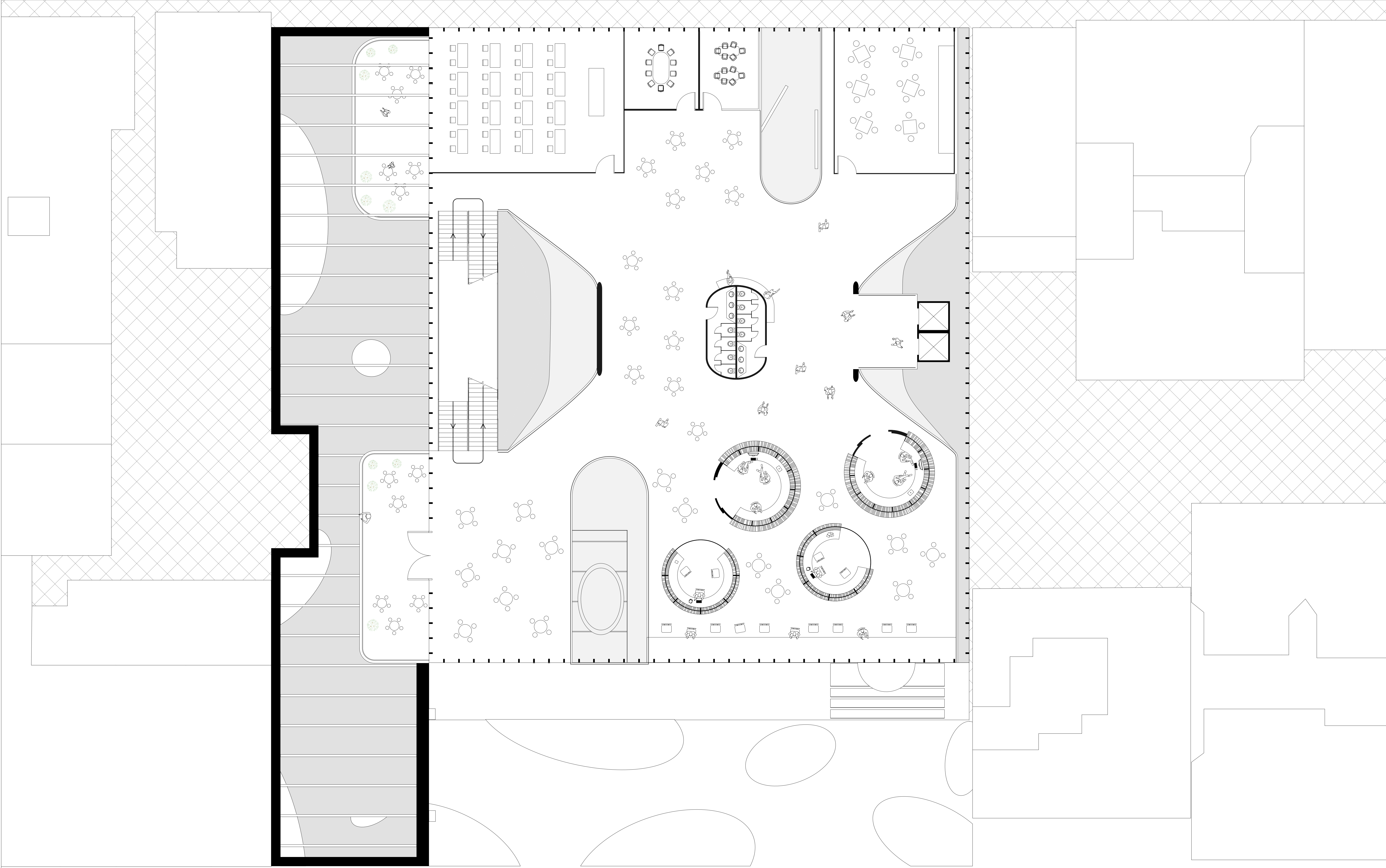
ROOFTOP



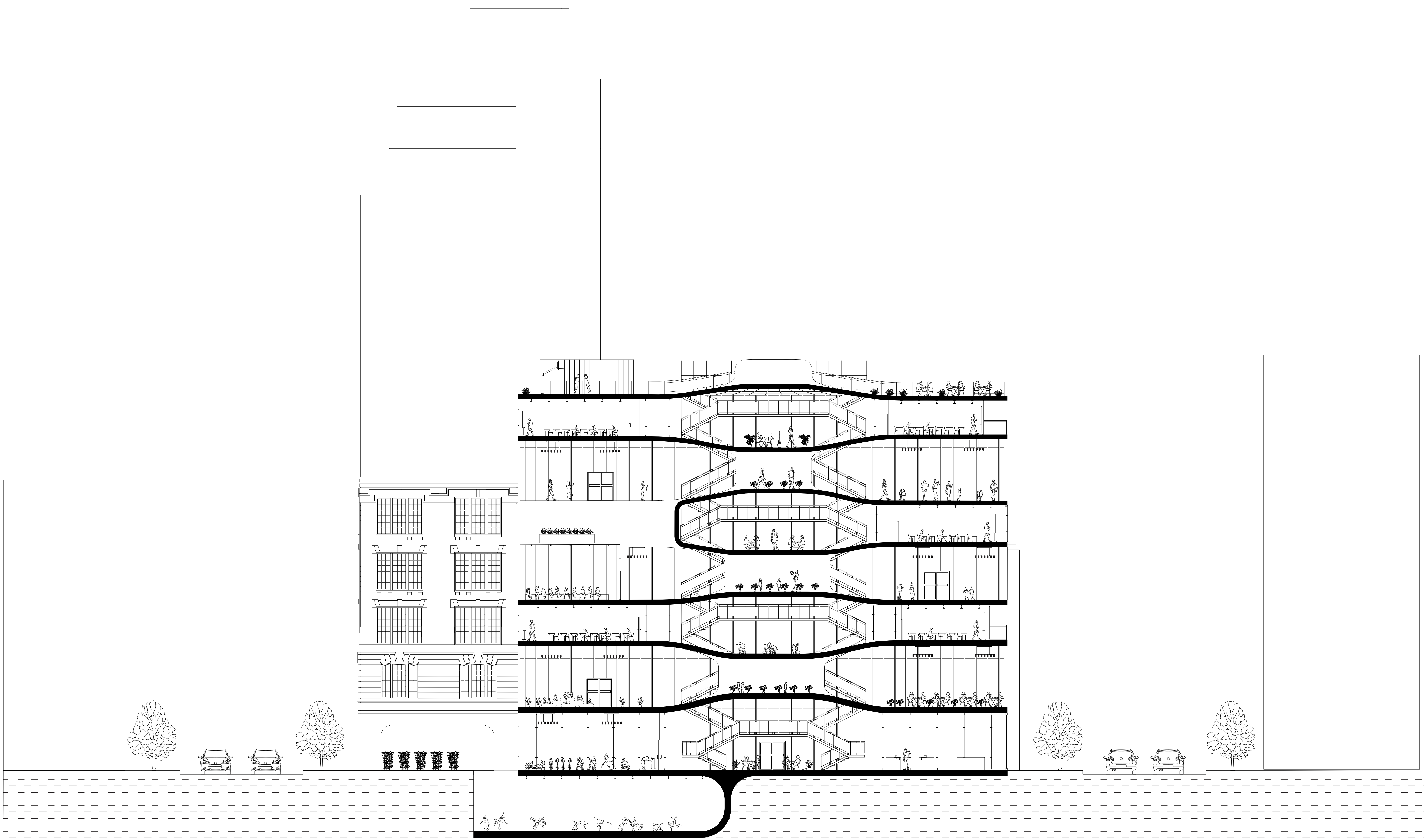
CIRCULATION DIAGRAM



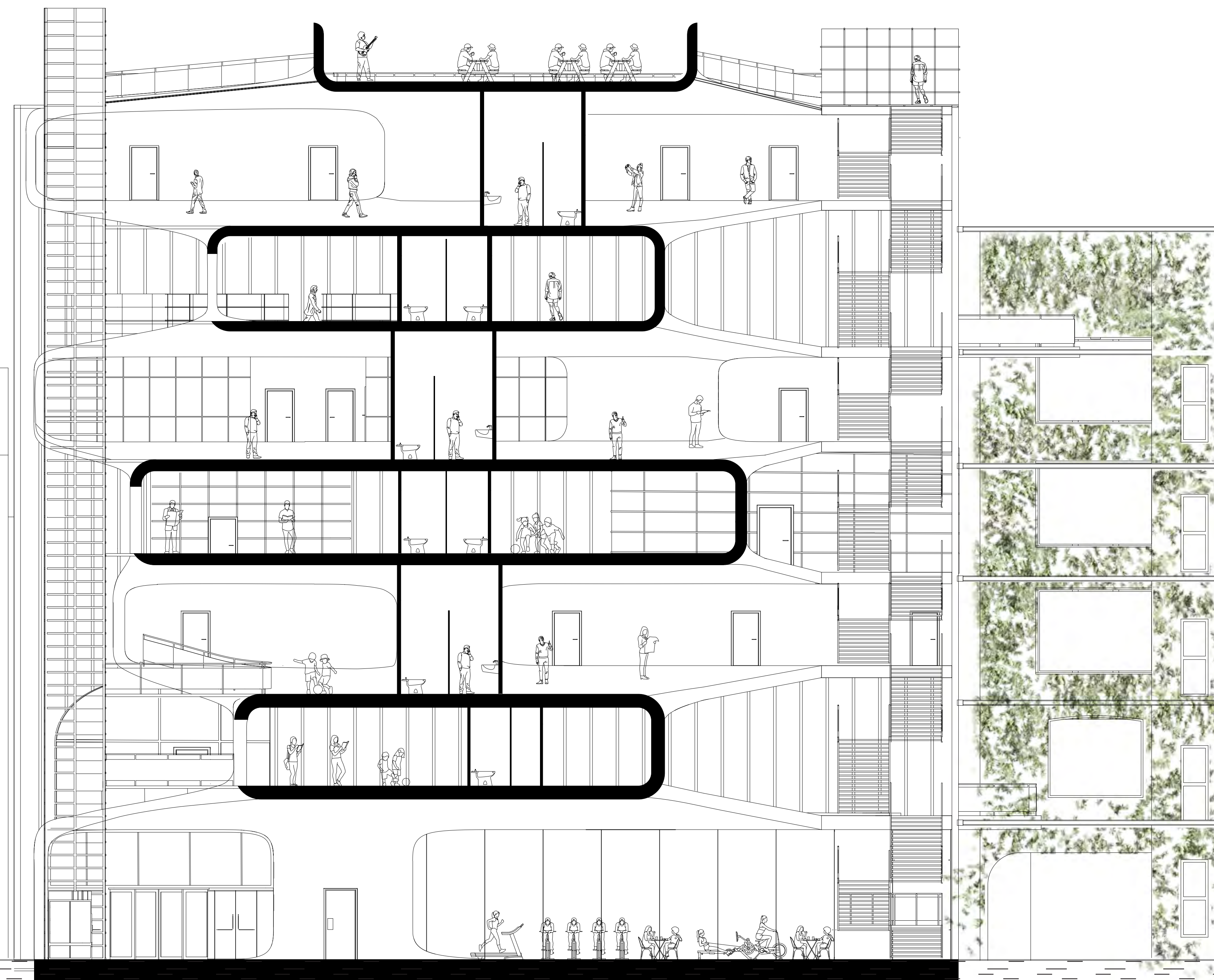
GROUND FLOOR PLAN



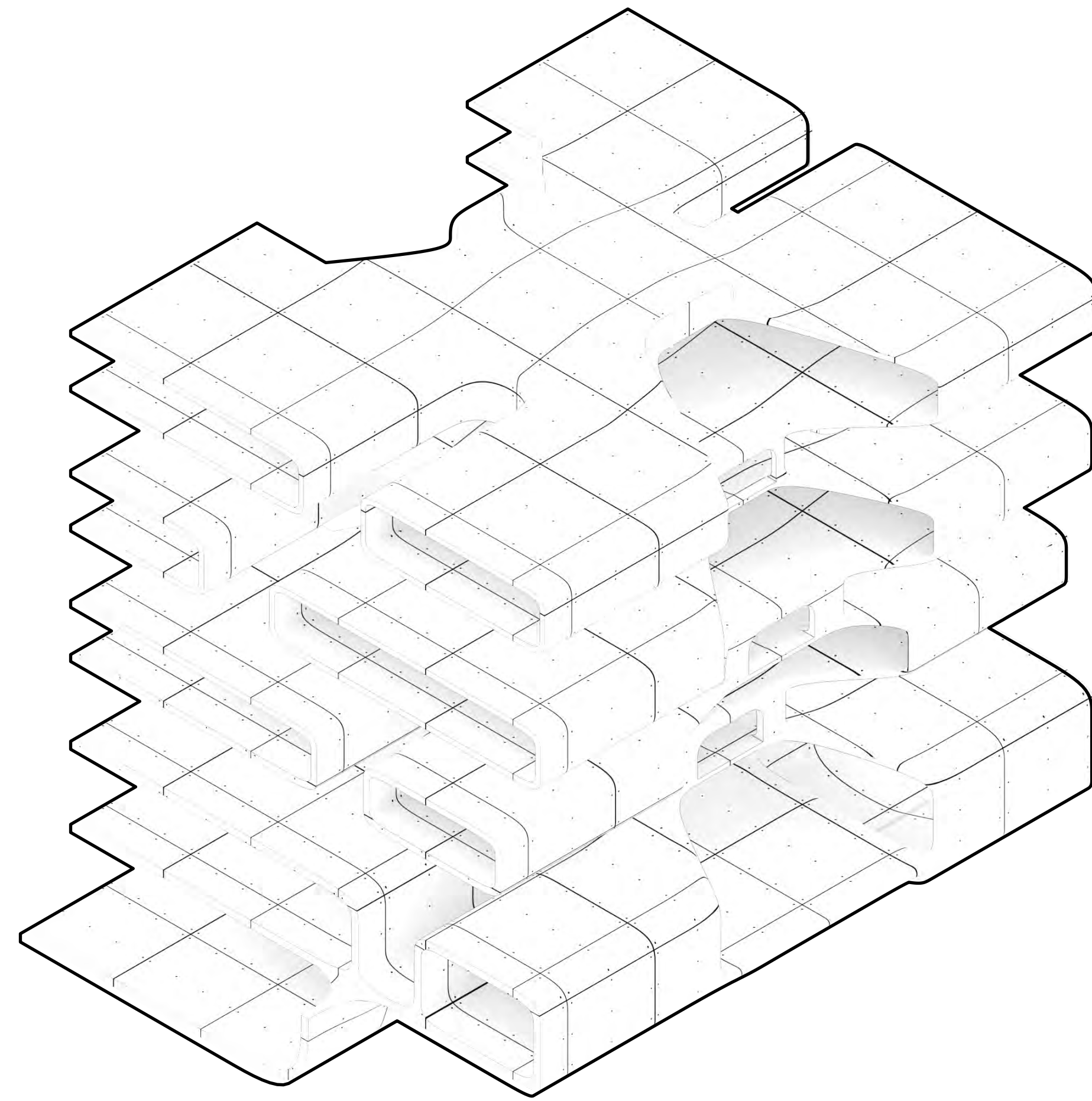
FORTH FLOOR PLAN



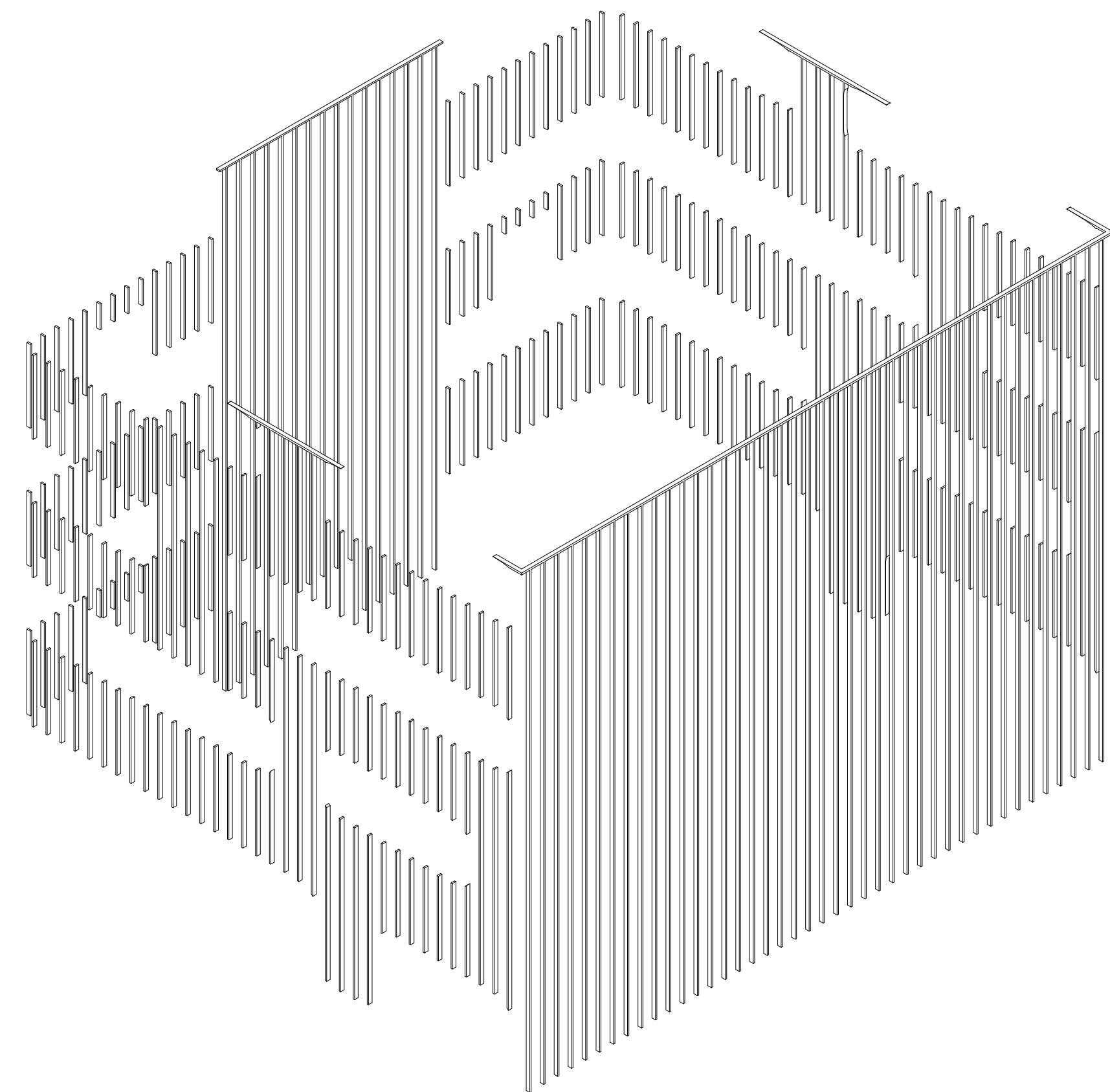
SECTION A-A



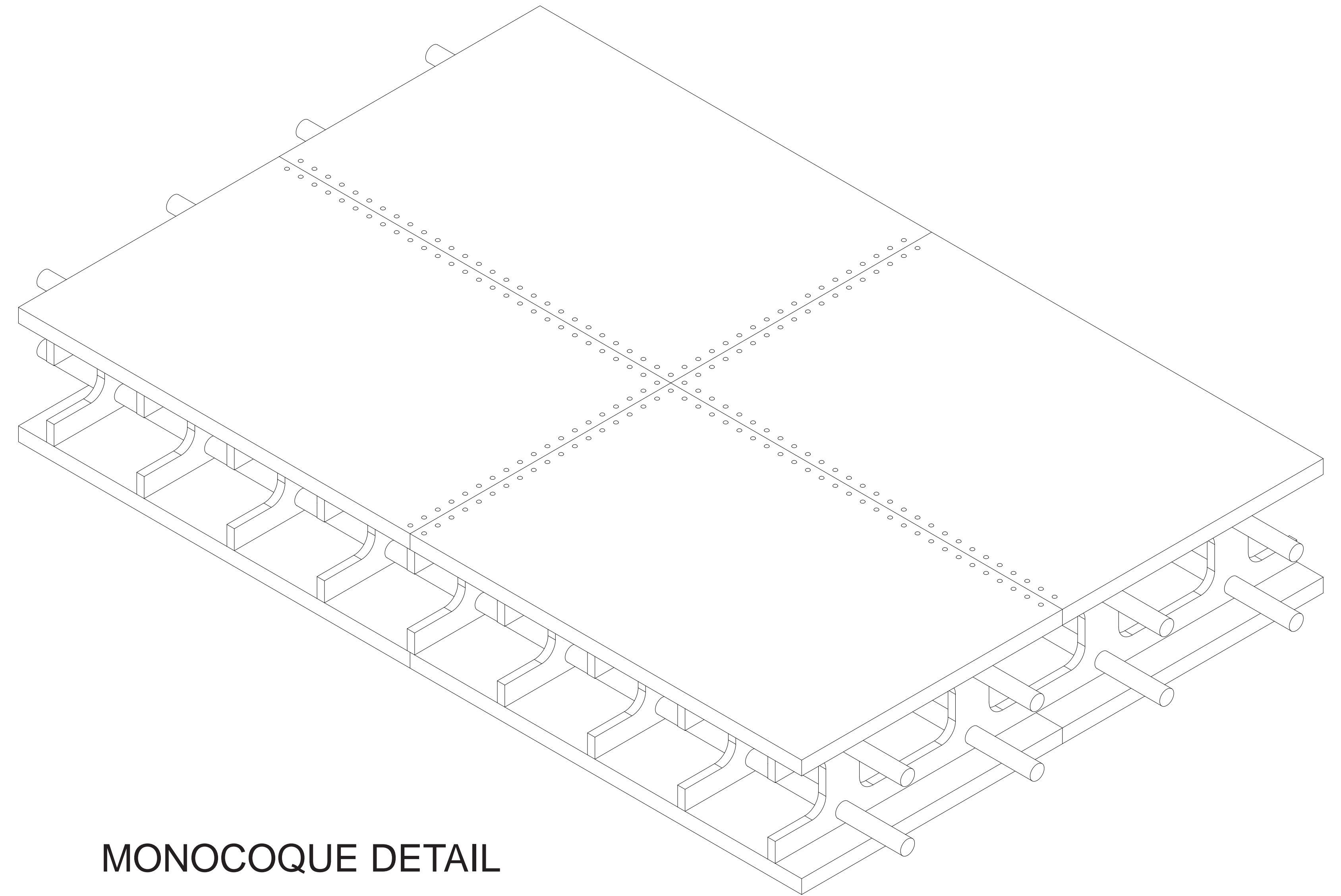
SECTION B-B



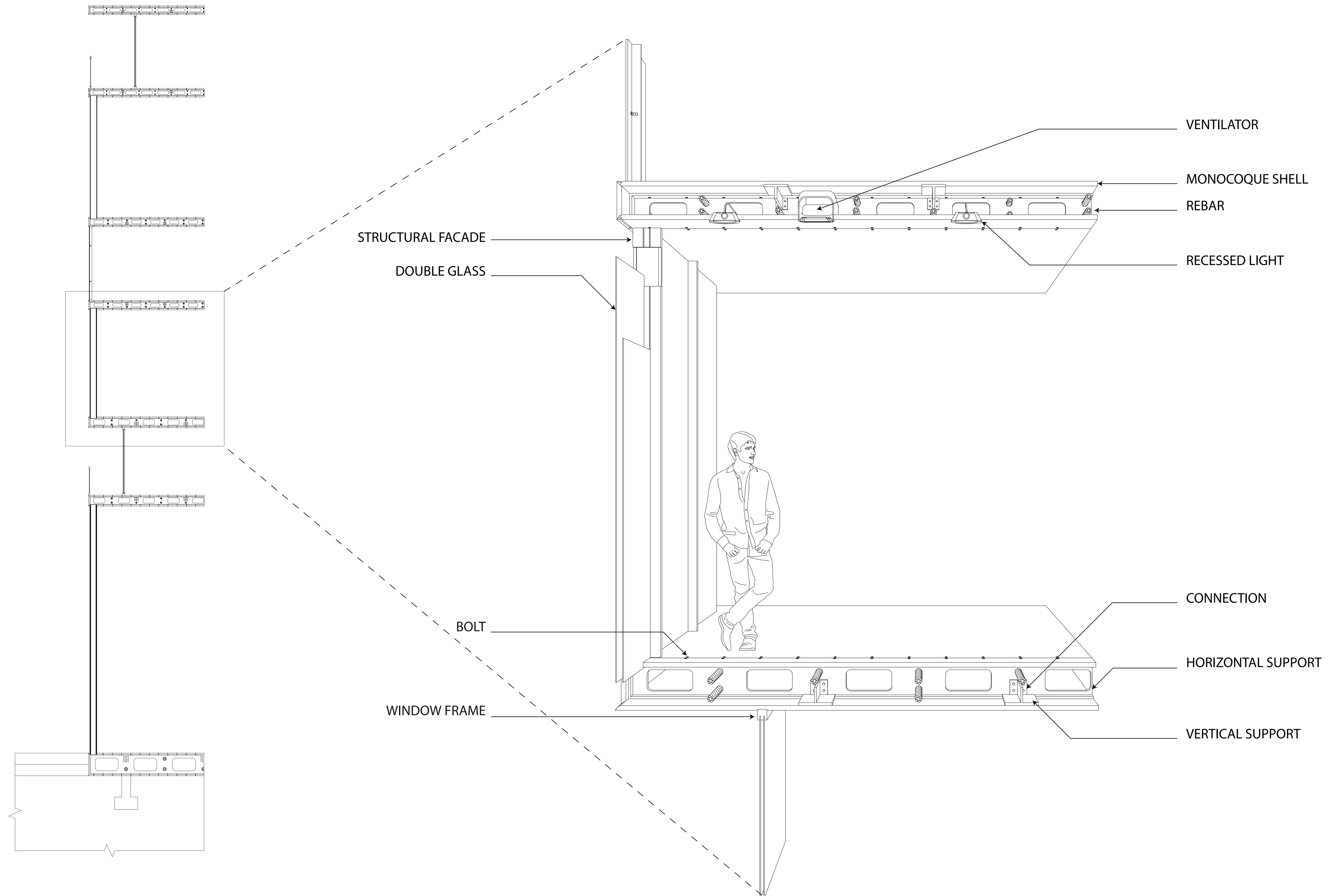
MONOCOQUE SHELL



STRUCTURAL FACADE



MONOCOQUE DETAIL





RENDERING



RENDERING



RENDERING



RENDERING