

OUTSIDE → IN





P.S. 64

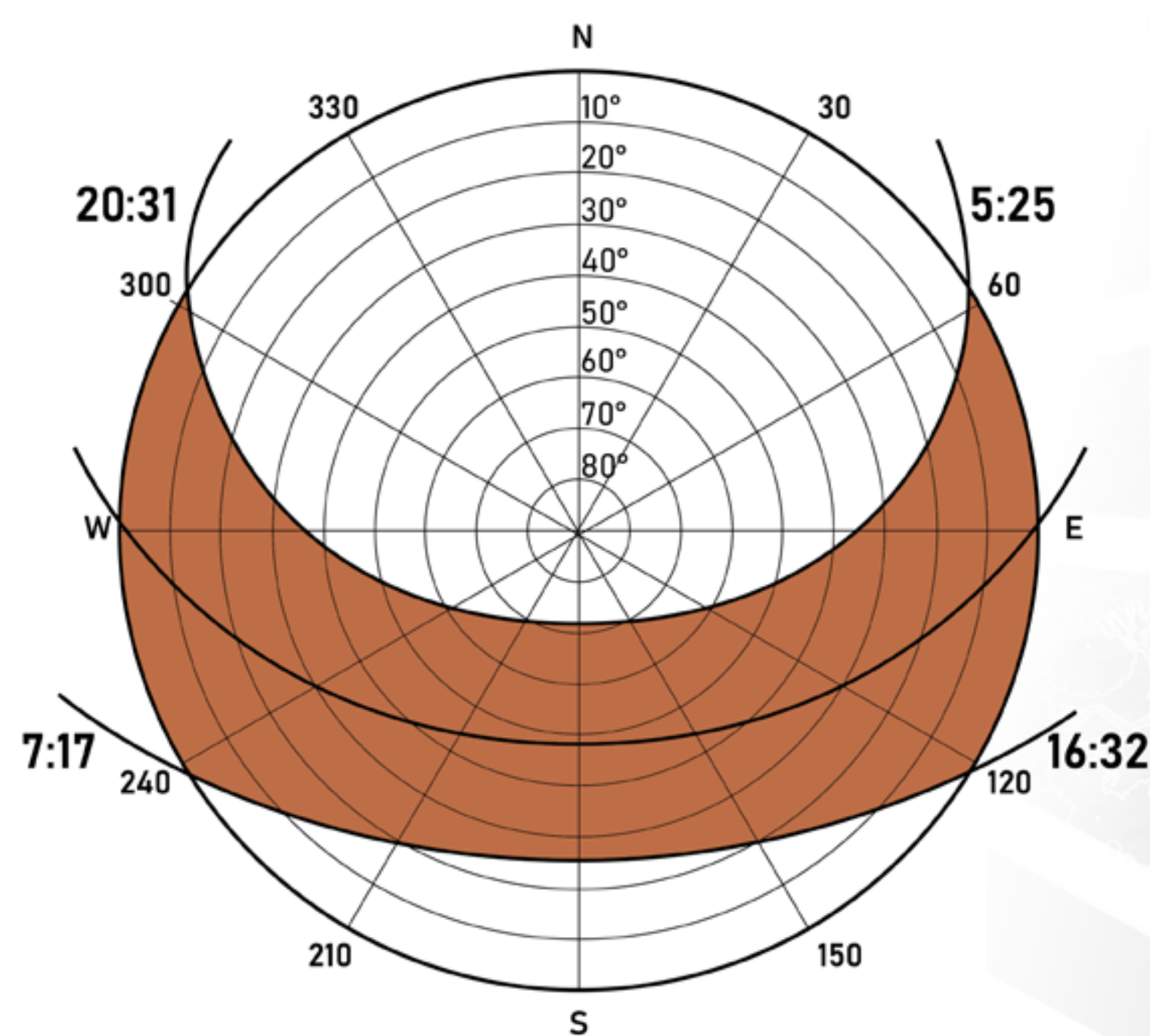
SITE ANALYSIS

605 E 9TH ST. NEW YORK, NY



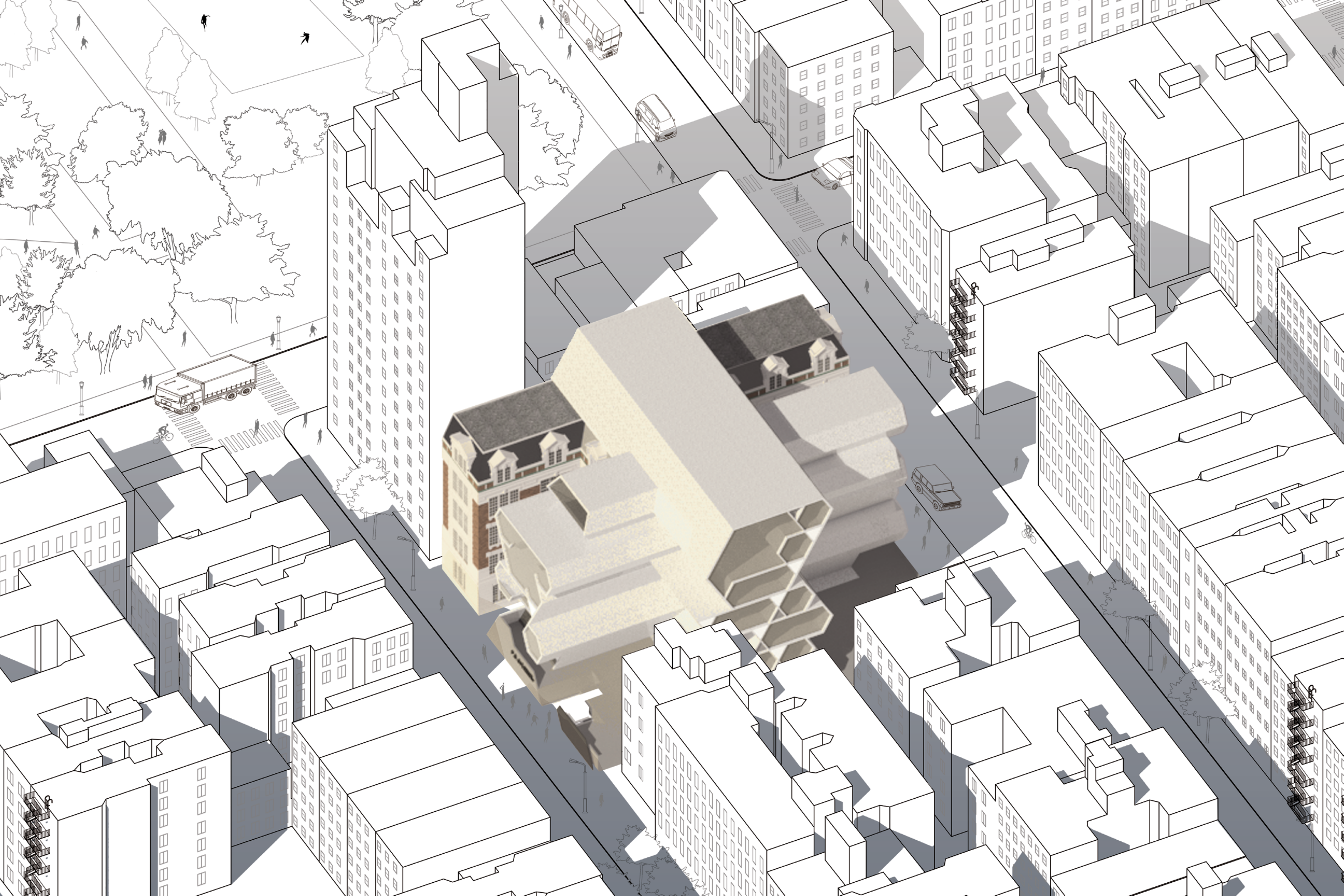
COMMERCIAL RESIDENTIAL GREEN SPACE

NEIGHBORHOOD + ZONING BREAKDOWN

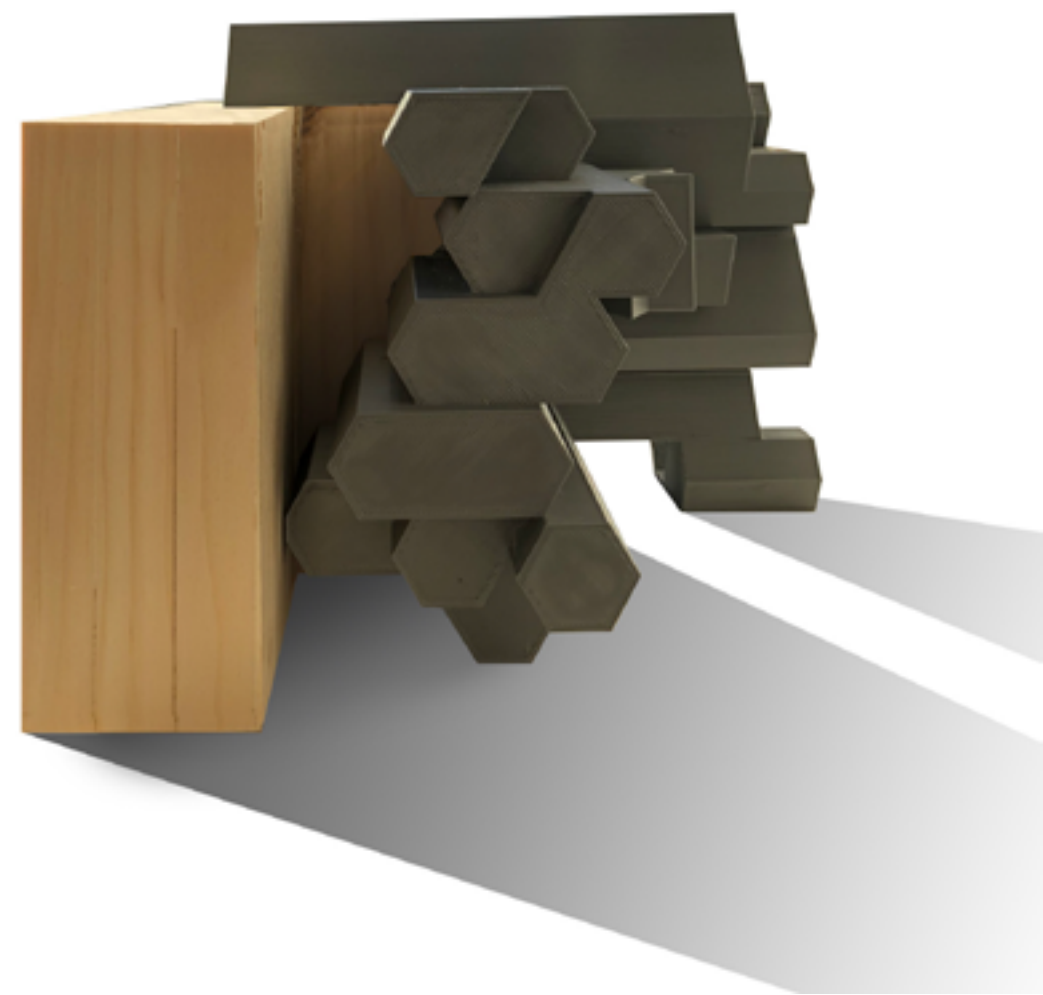
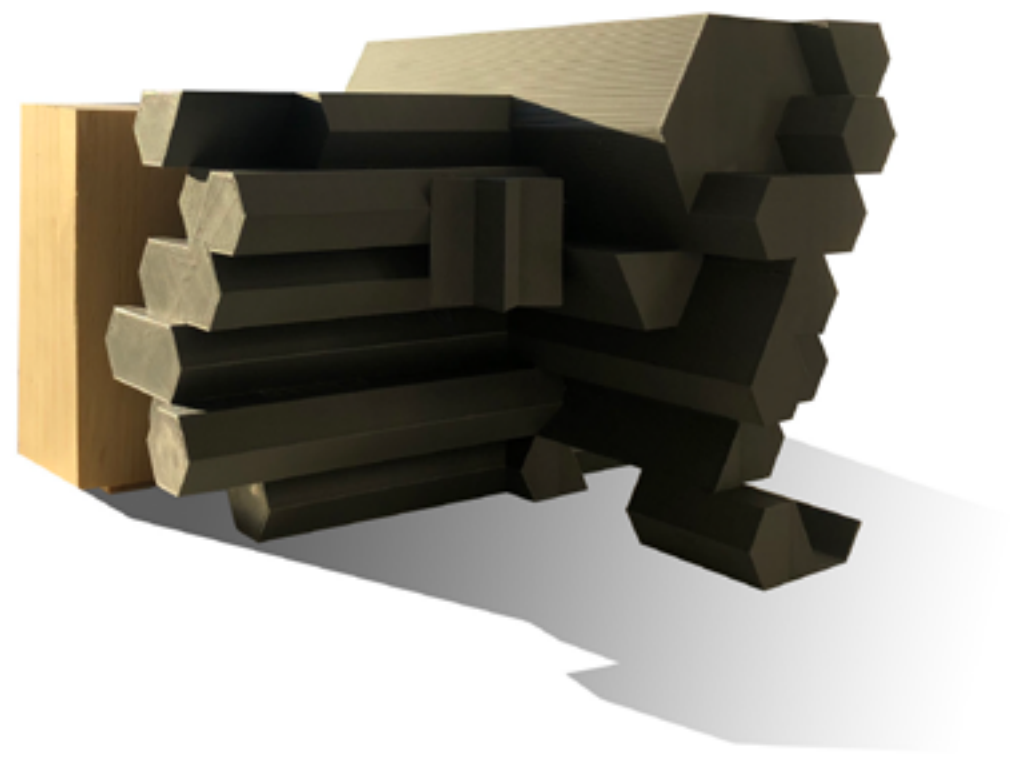


SUN PATH DIAGRAM

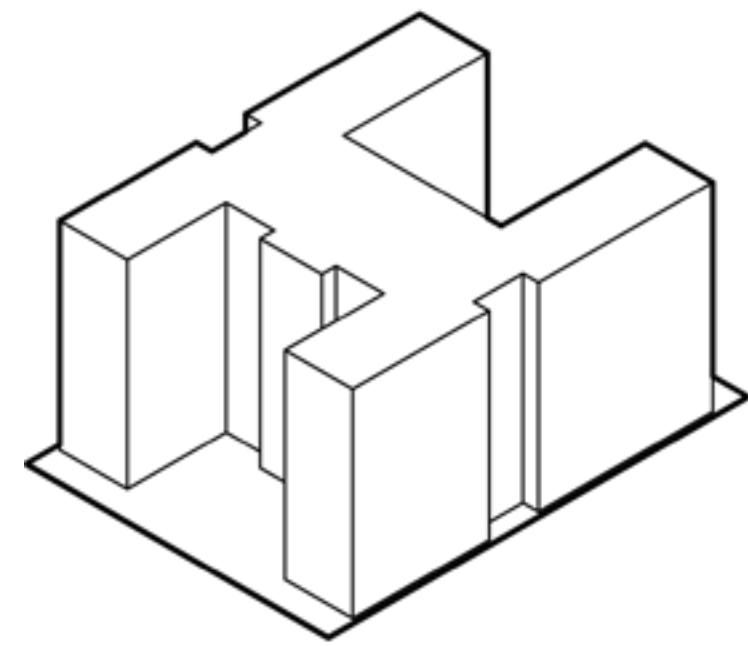




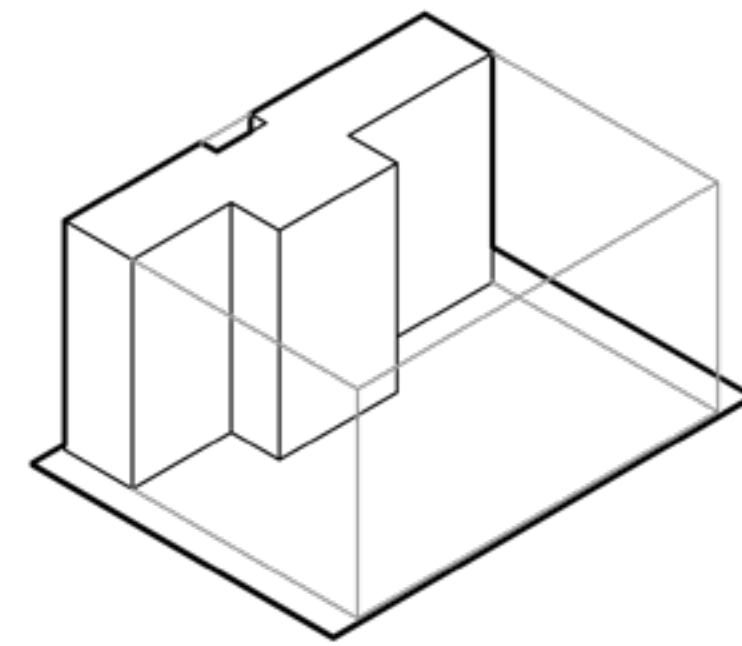




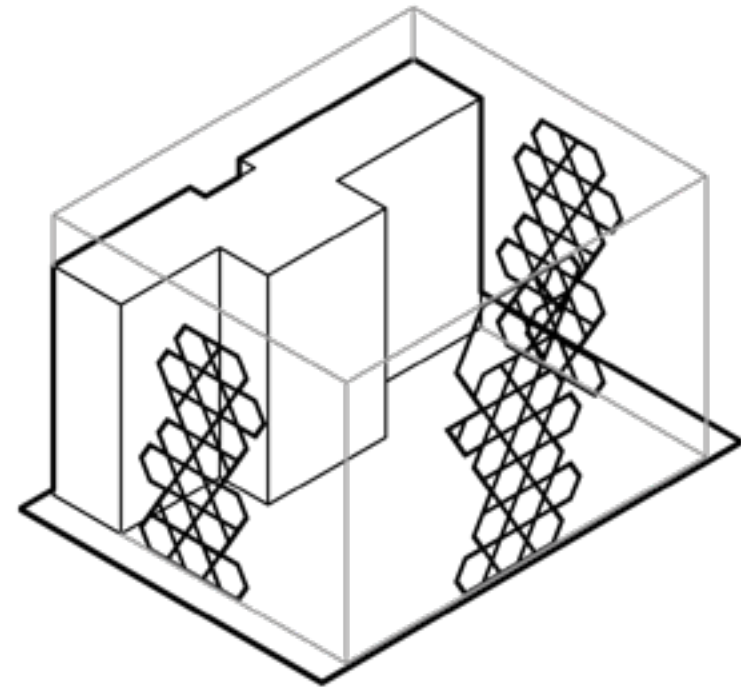
EXISTING



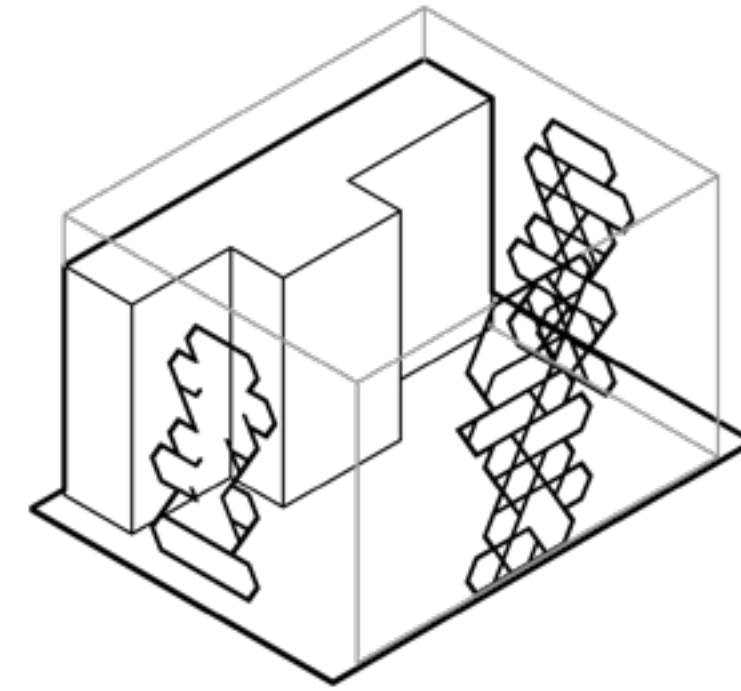
CONSERVE



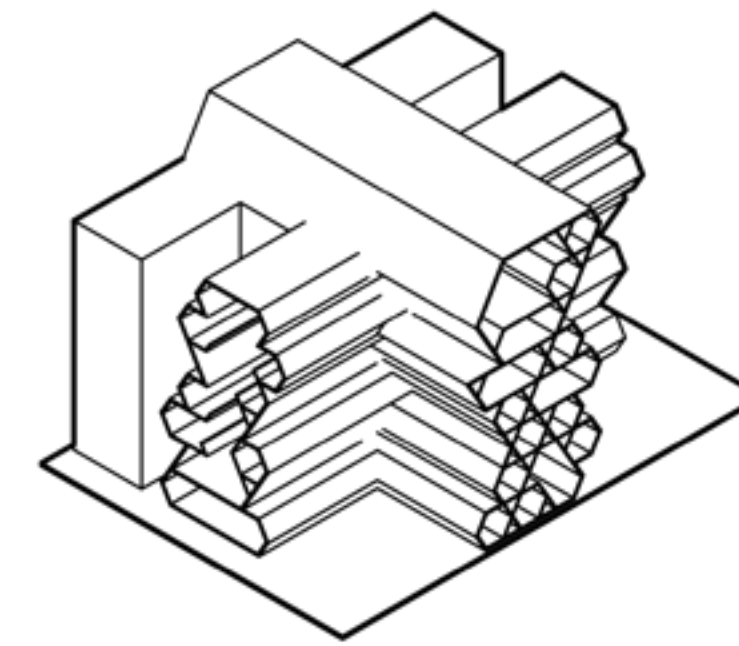
**PROJECTED
OG PATTERN**



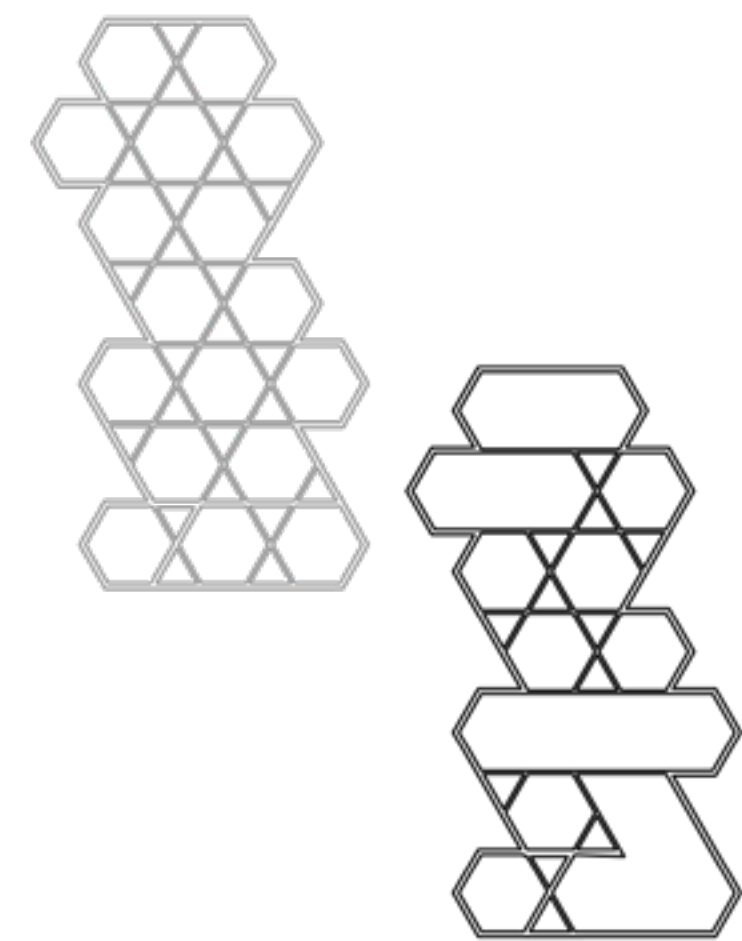
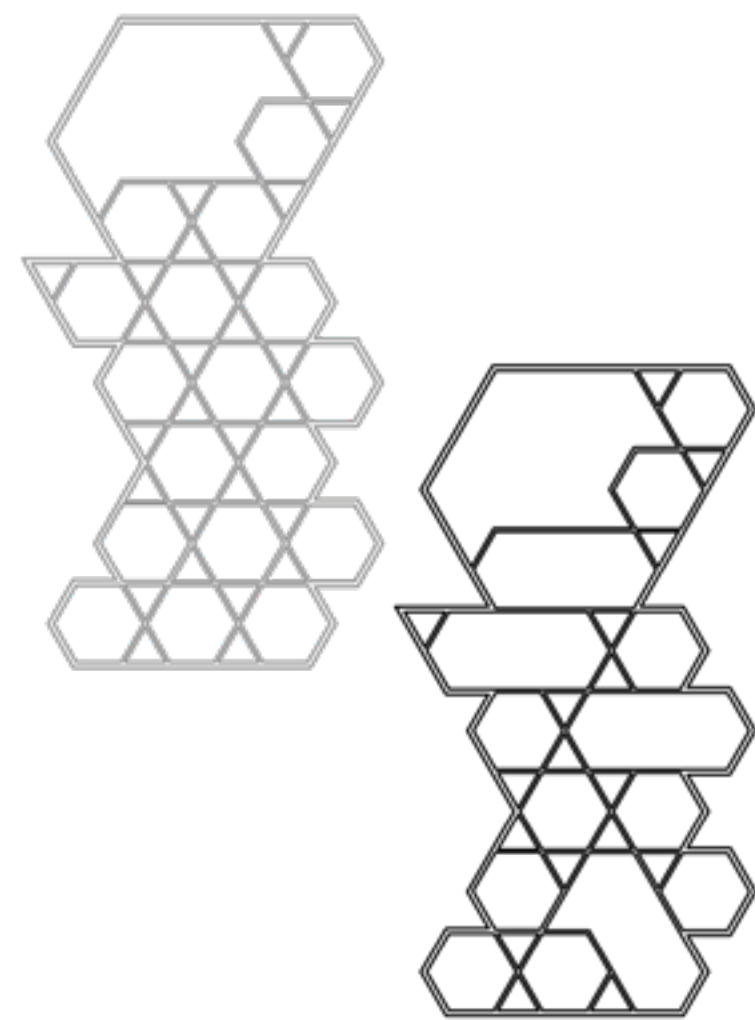
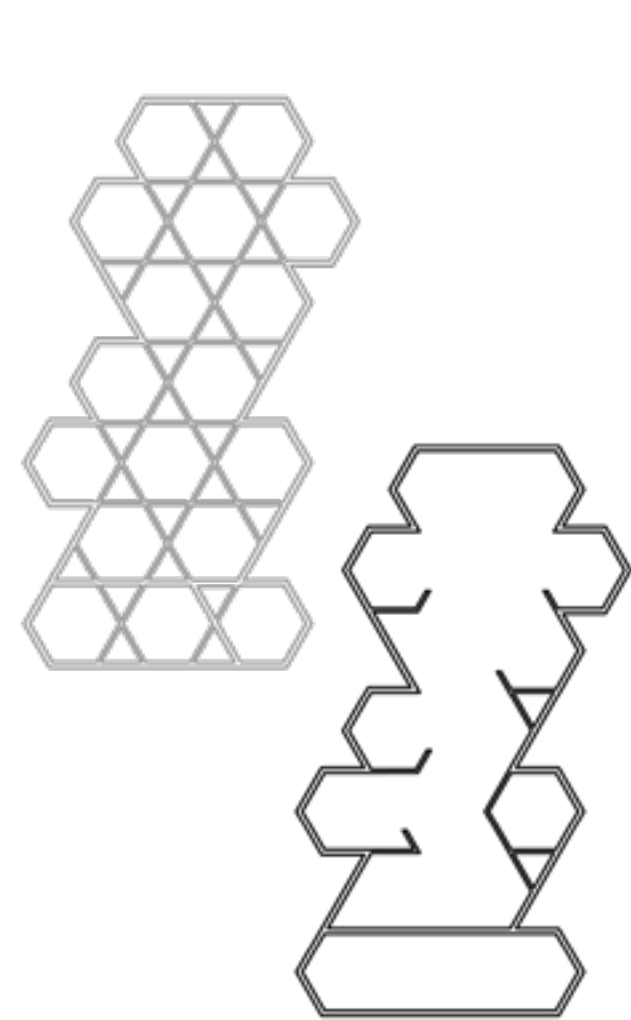
**PROJECTED
INT PATTERN**



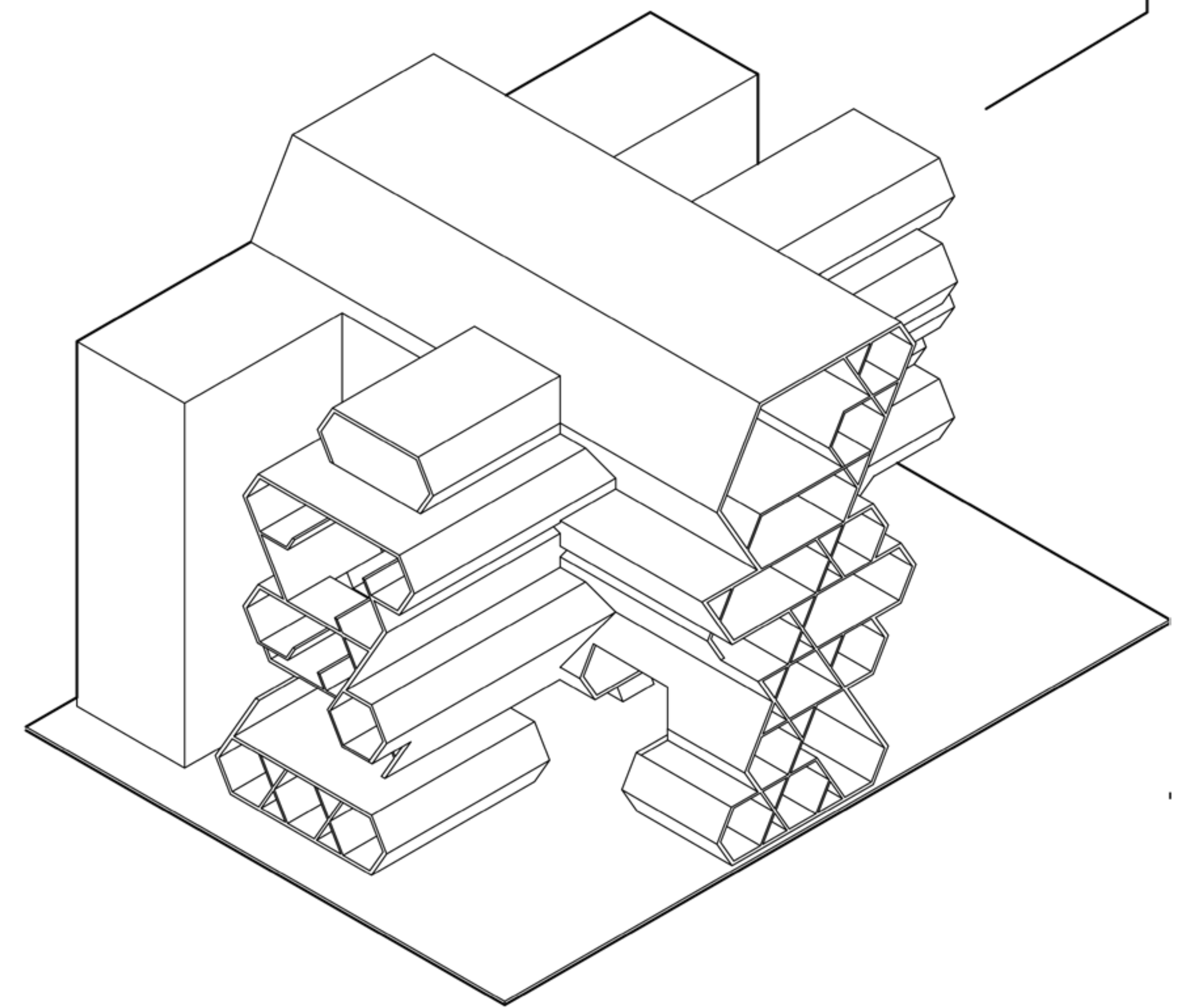
EXTRUDE



ORIGINAL PATTERN

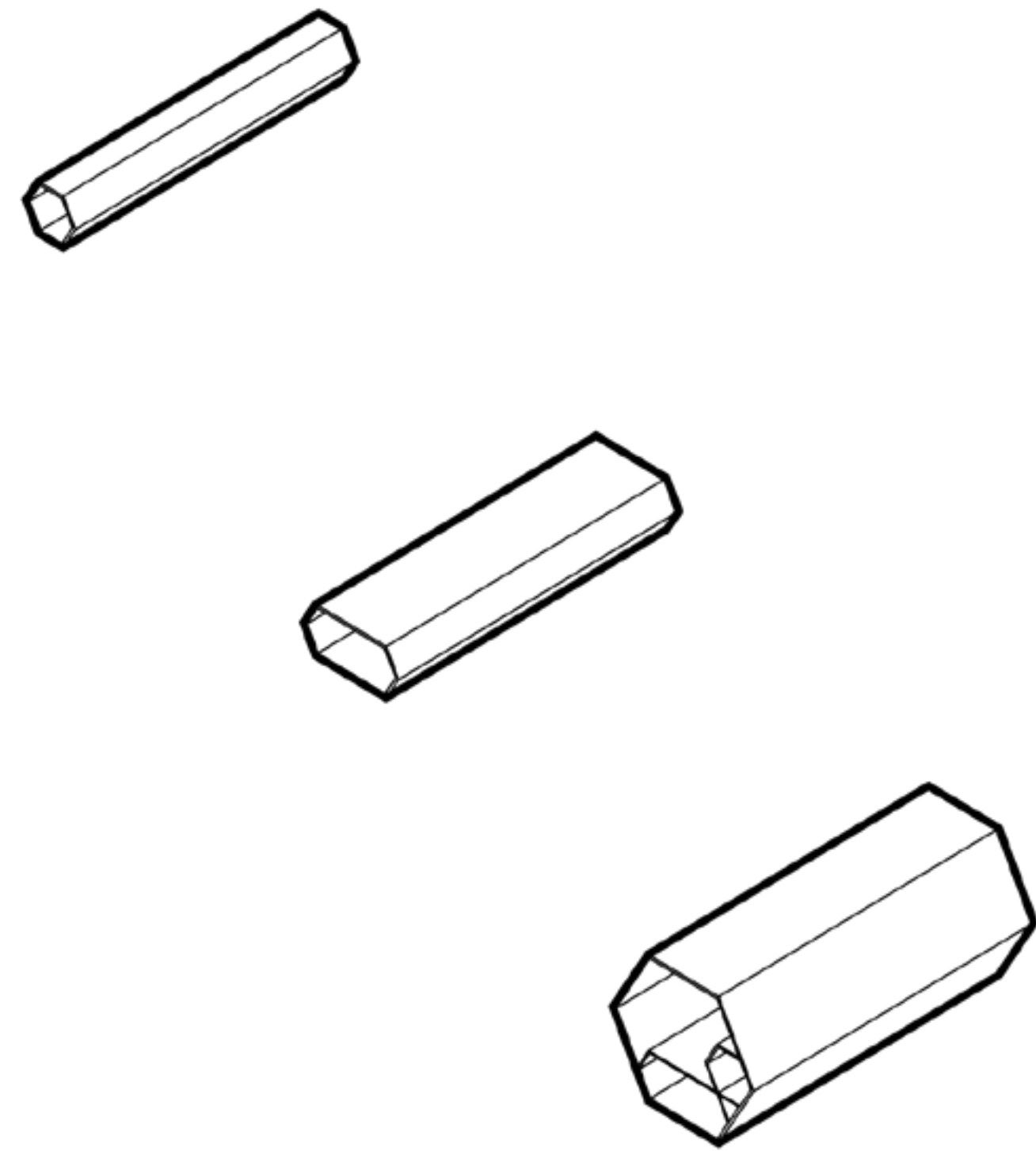


INTERVENED PATTERN

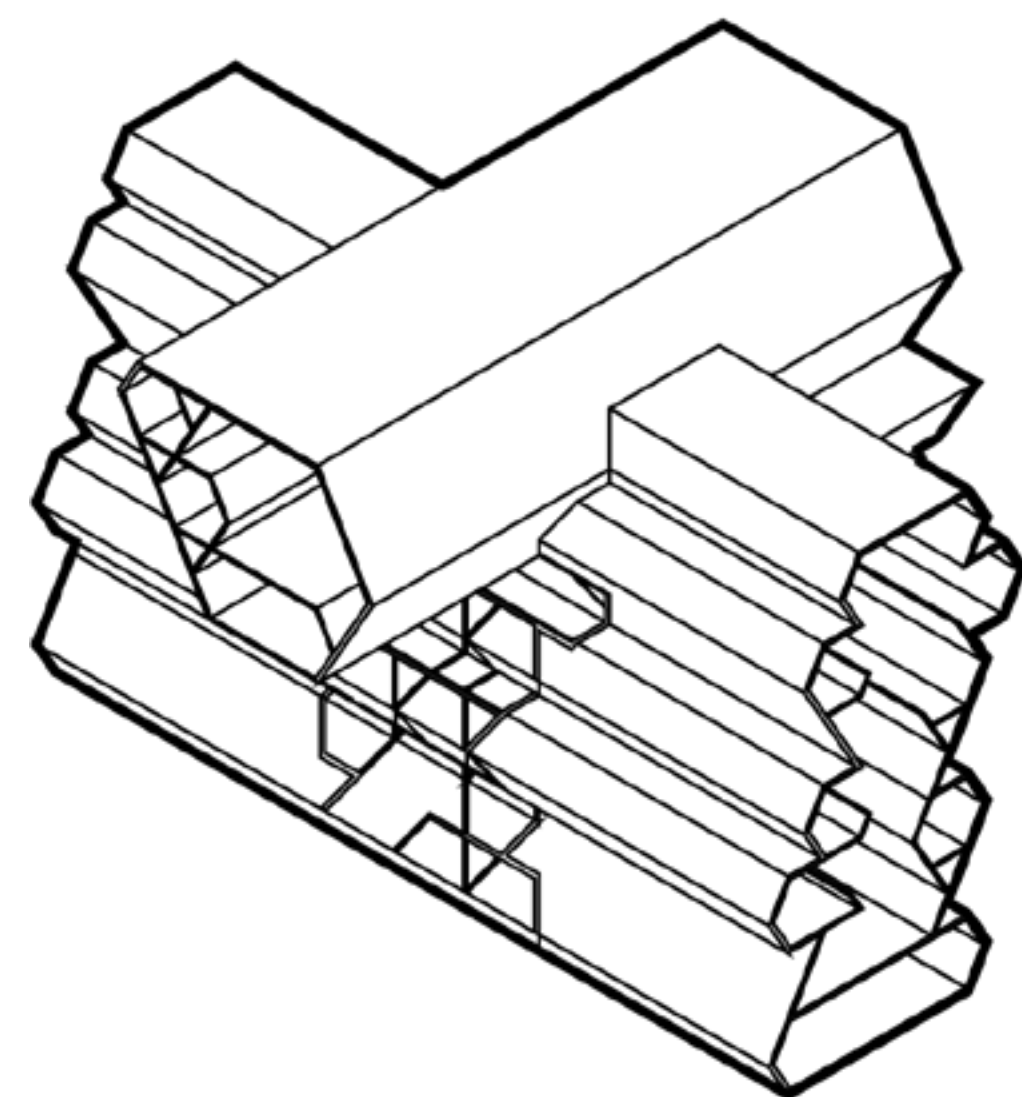
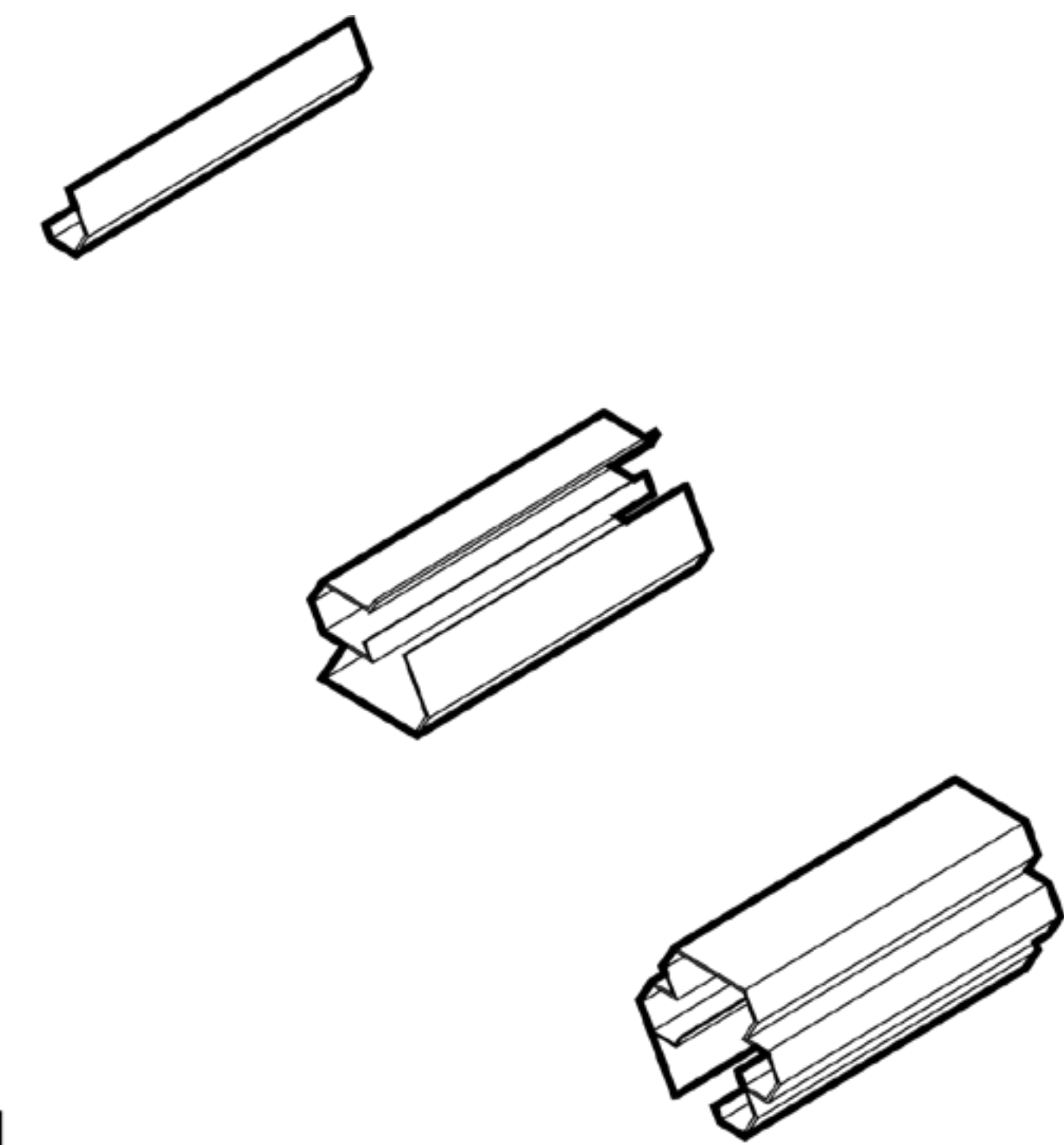


CONCEPT BREAKDOWN
SPATIAL INFRASTRUCTURE

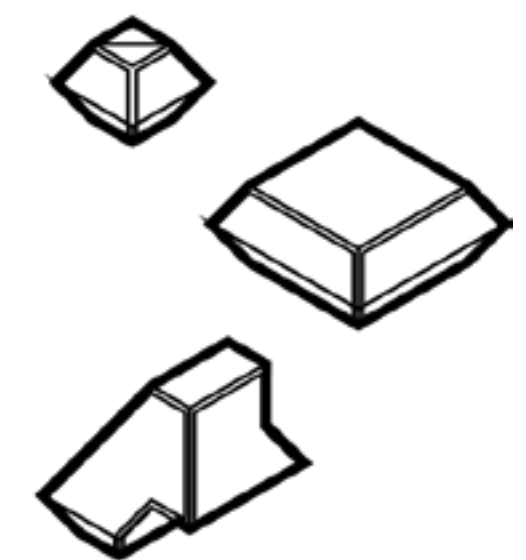
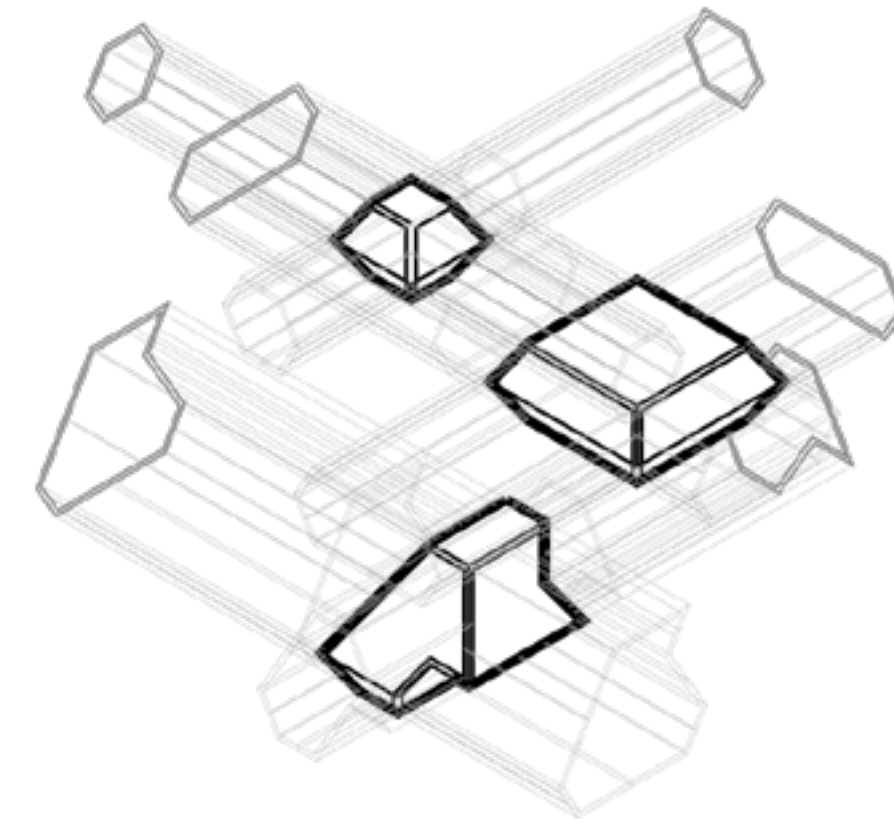
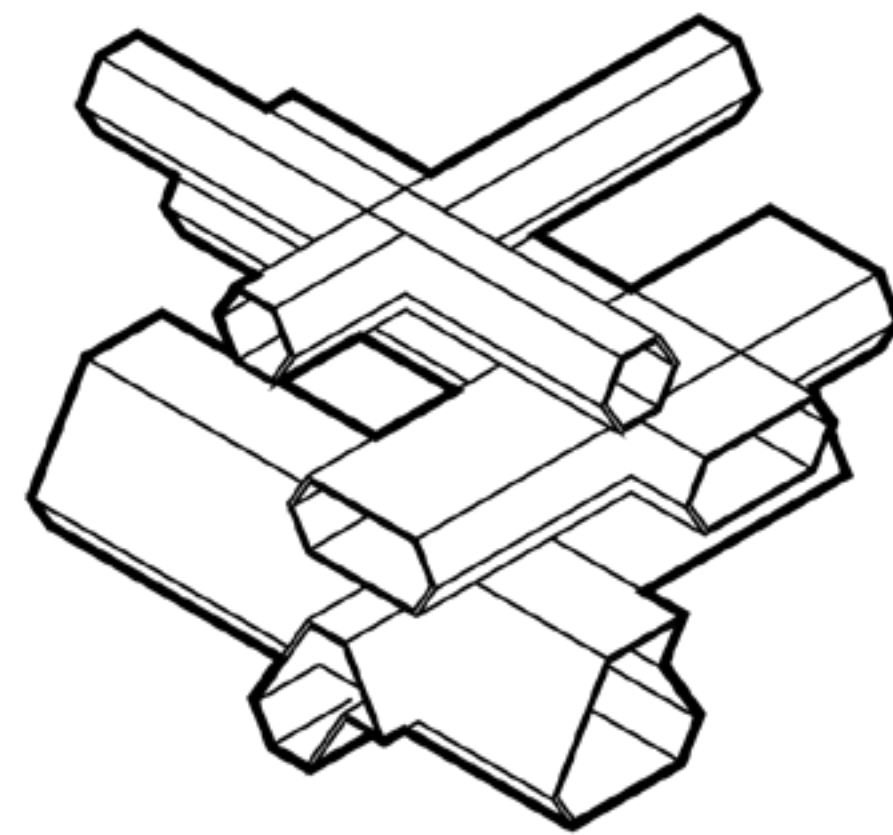
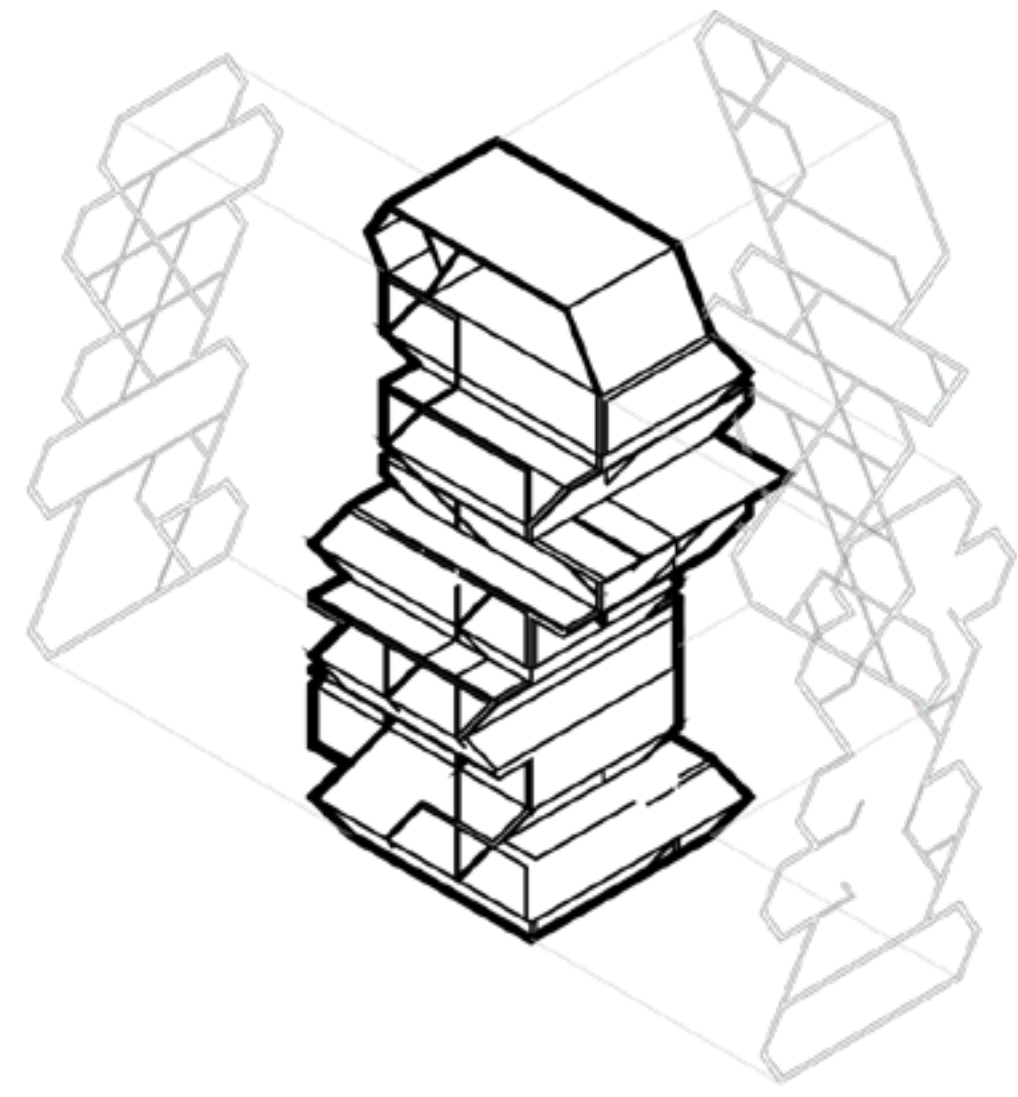
LINEAR



OPEN



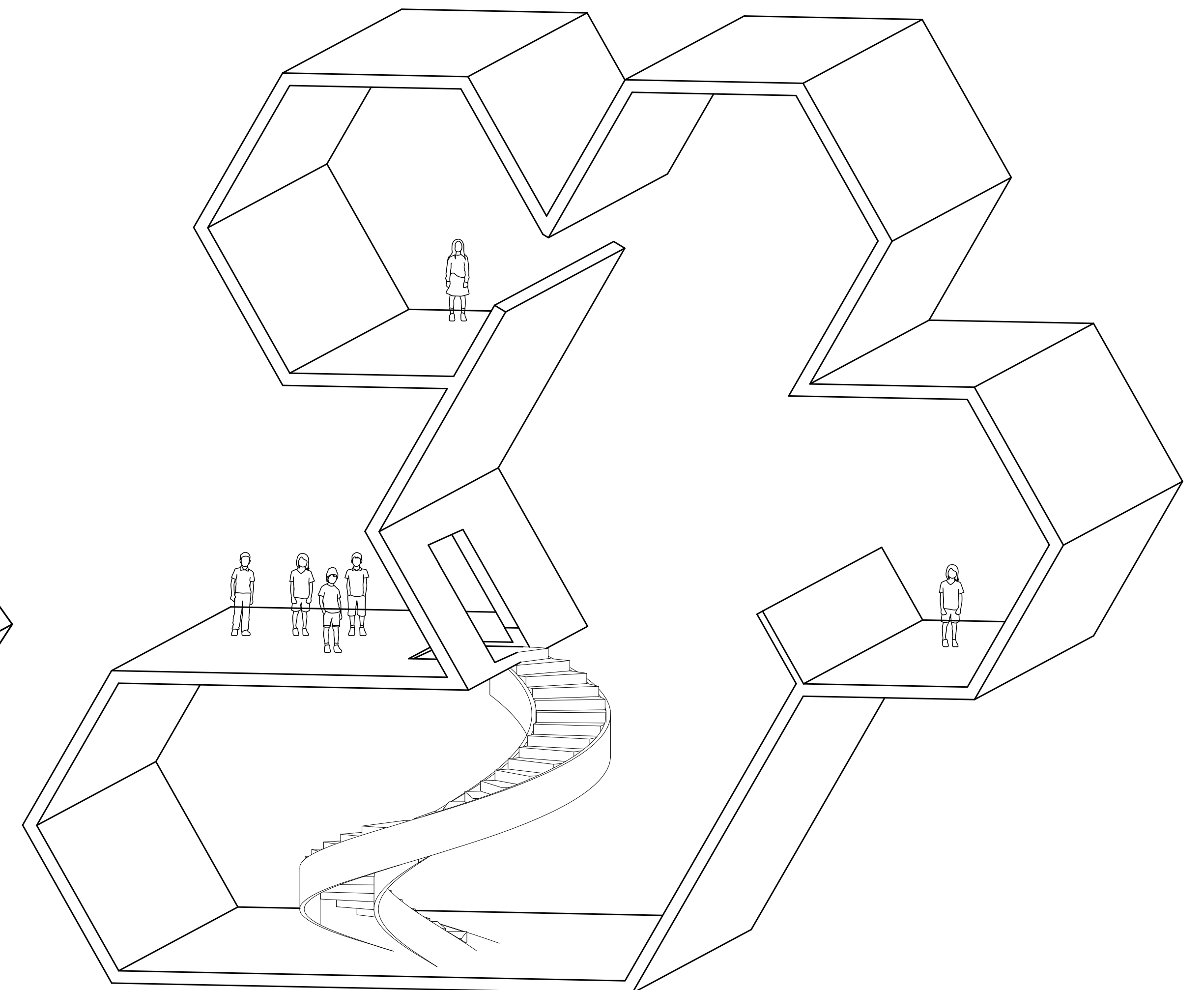
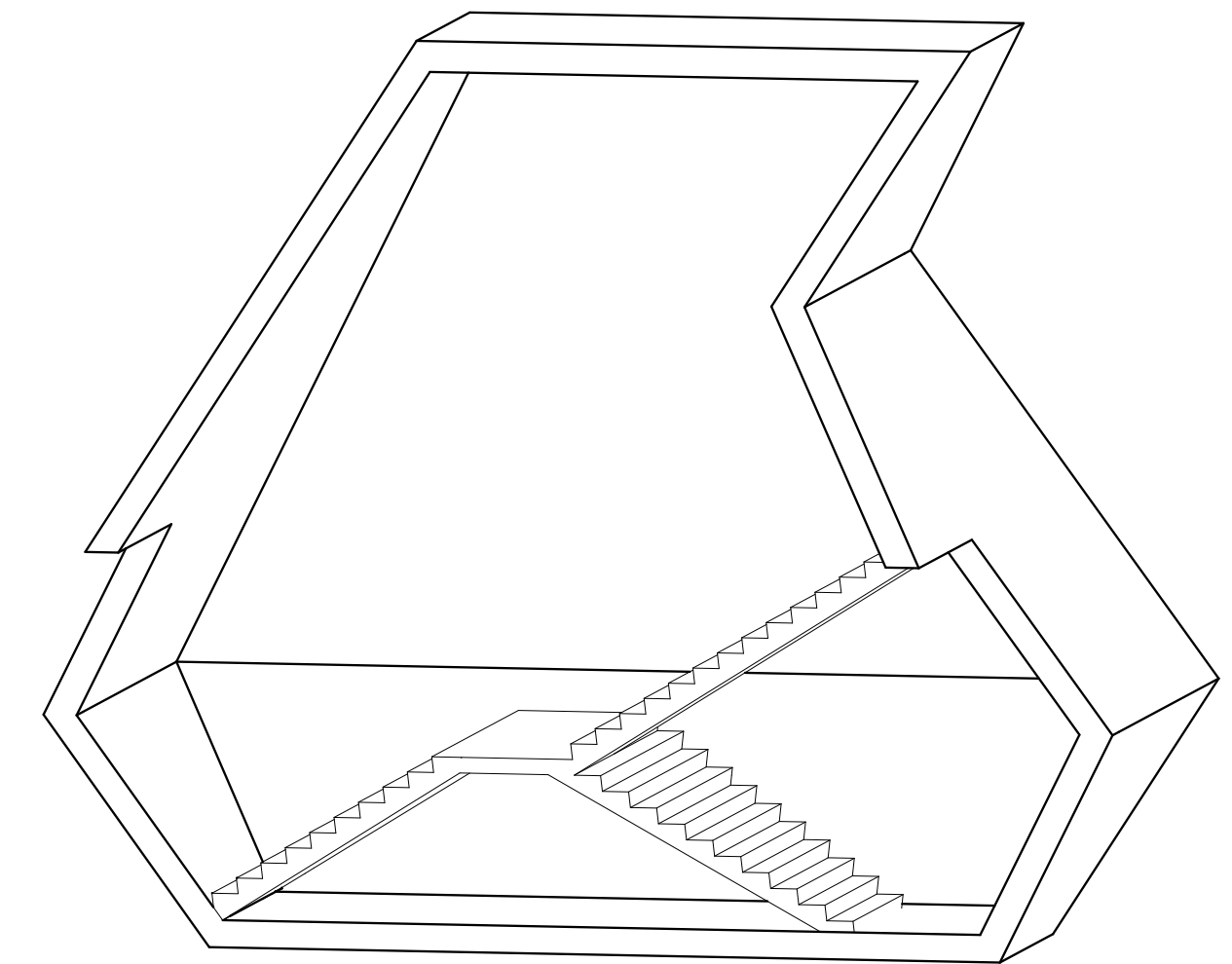
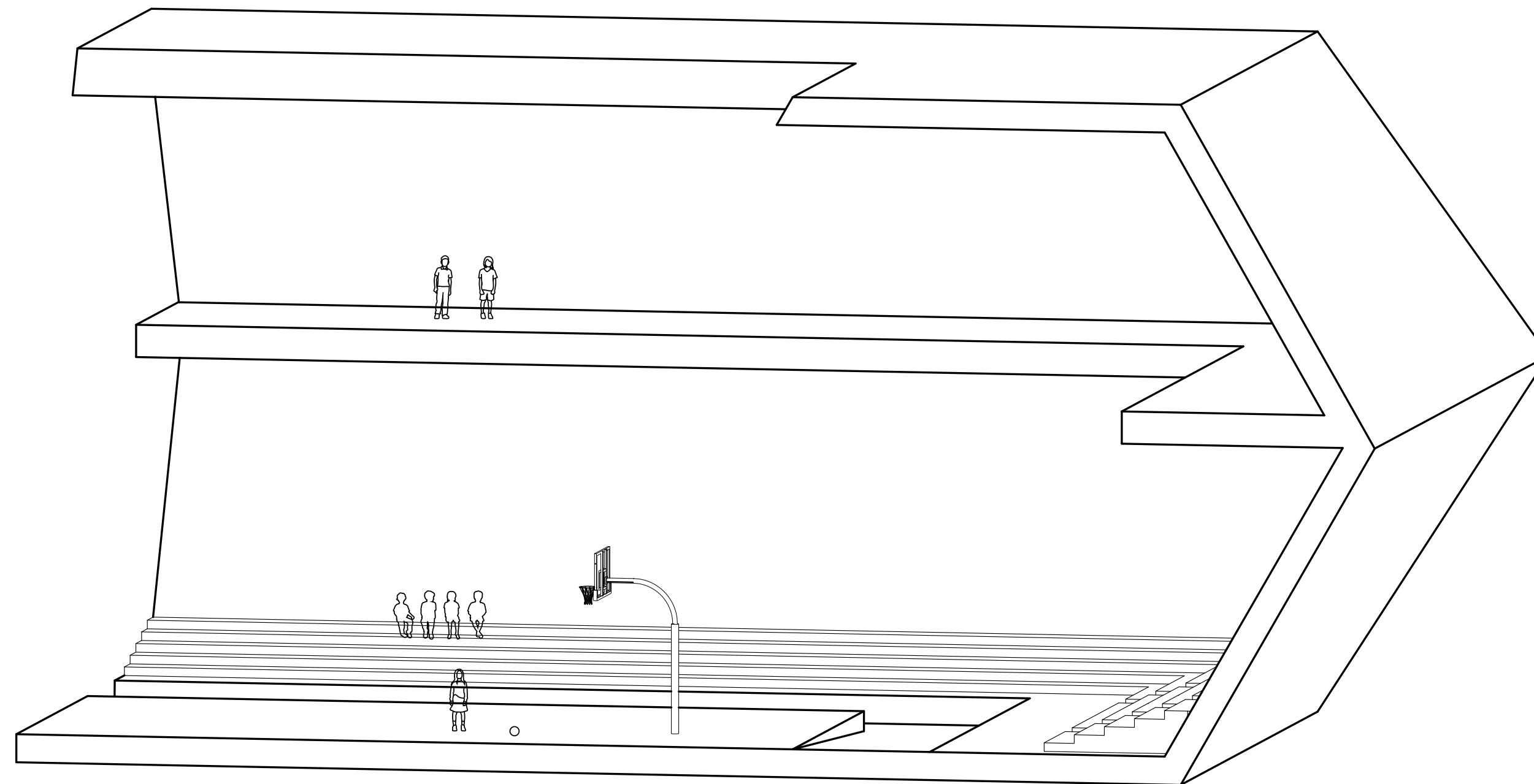
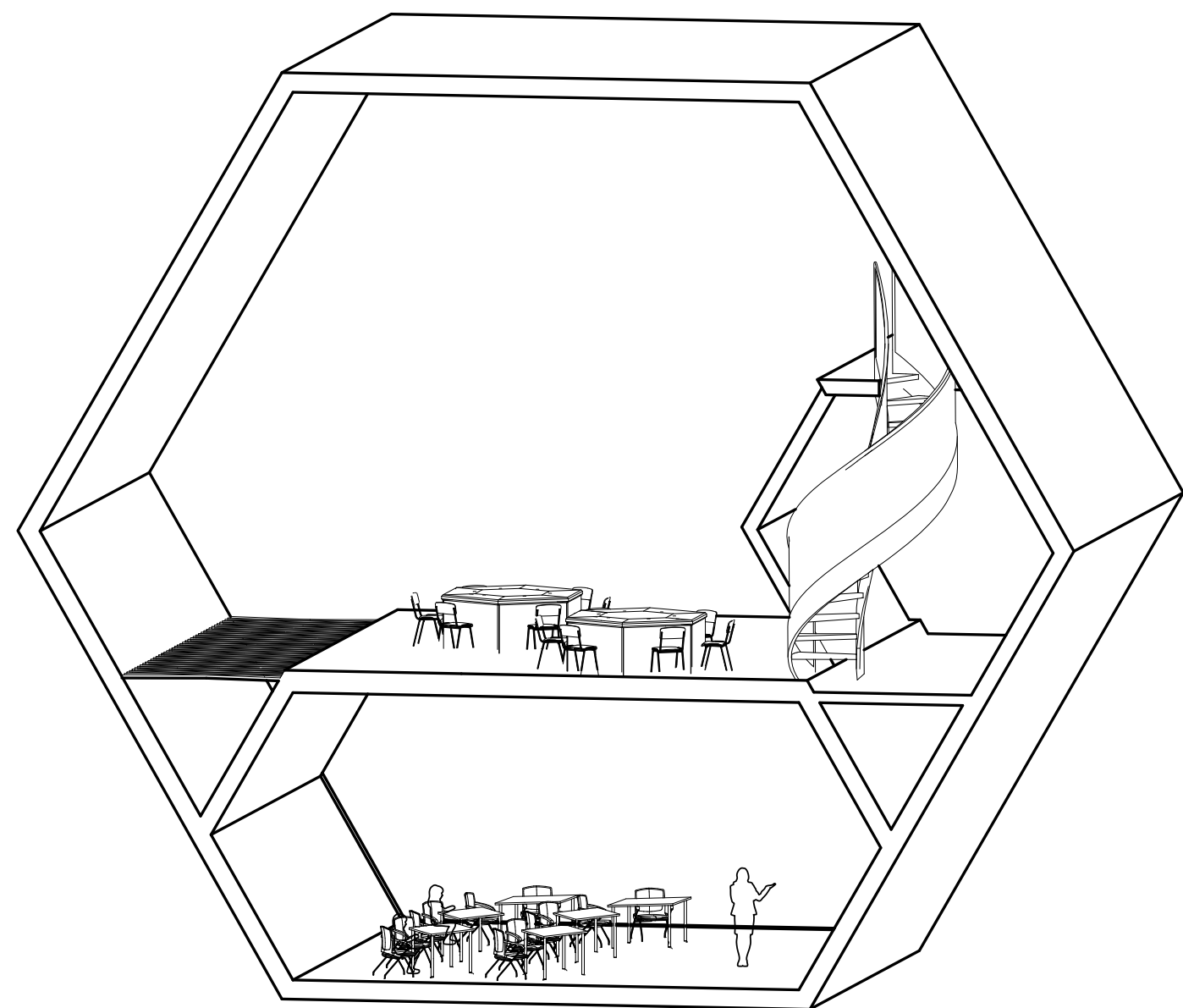
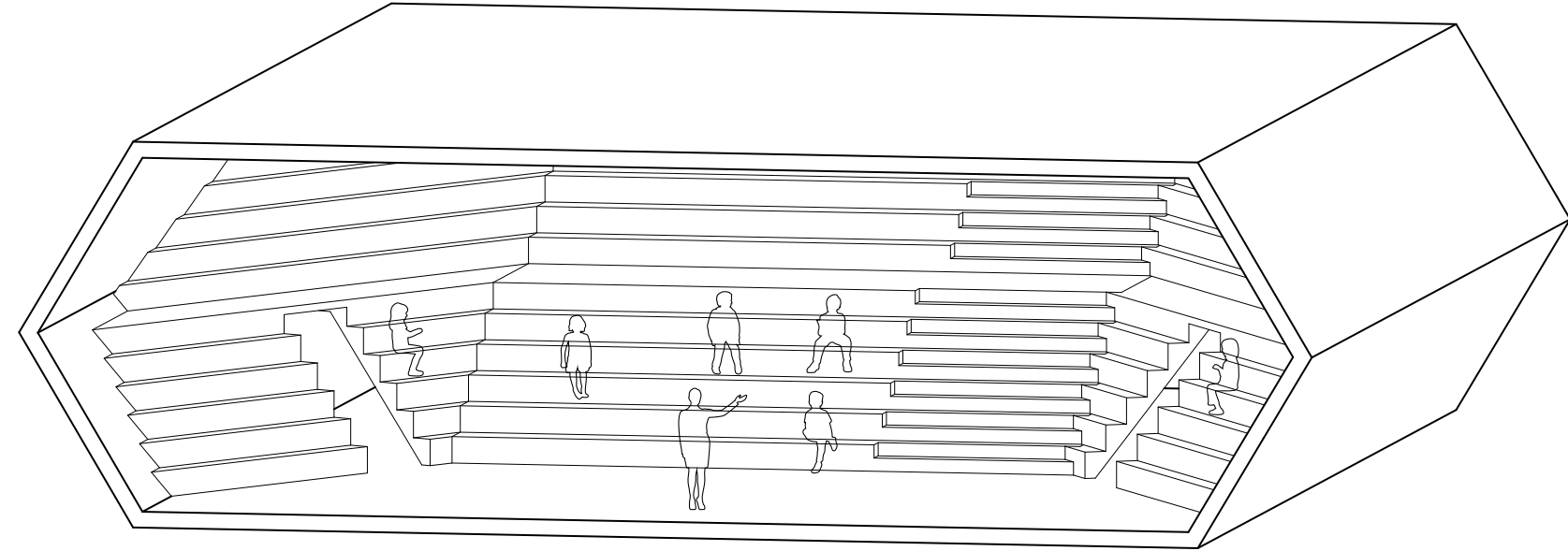
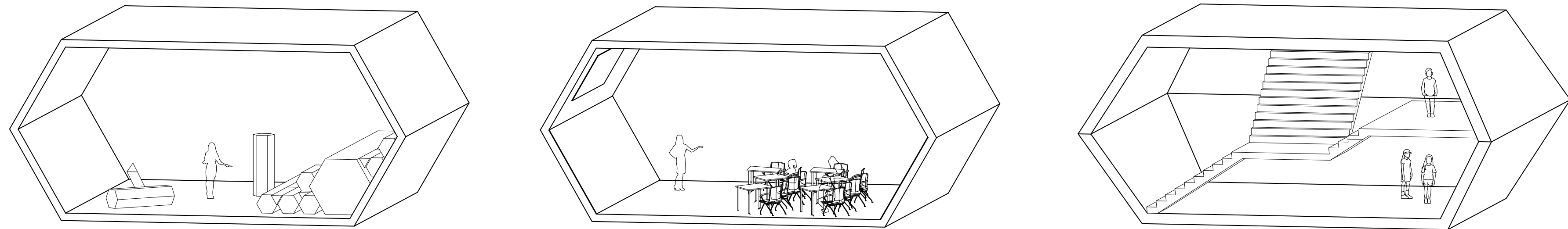
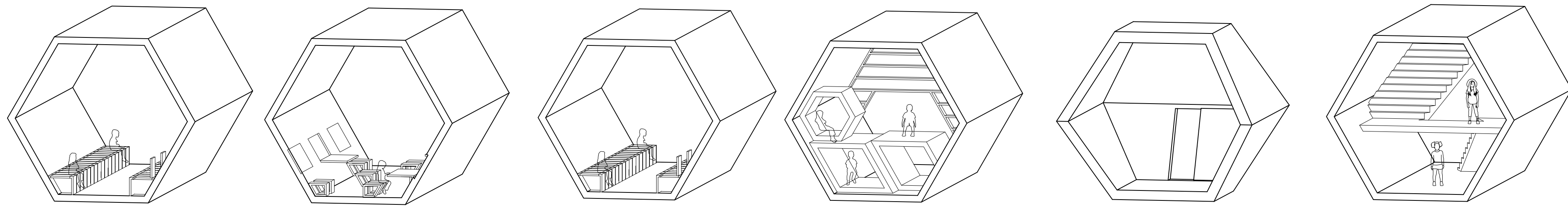
ENCLOSED



CONCEPT BREAKDOWN
SPACES GENERATED

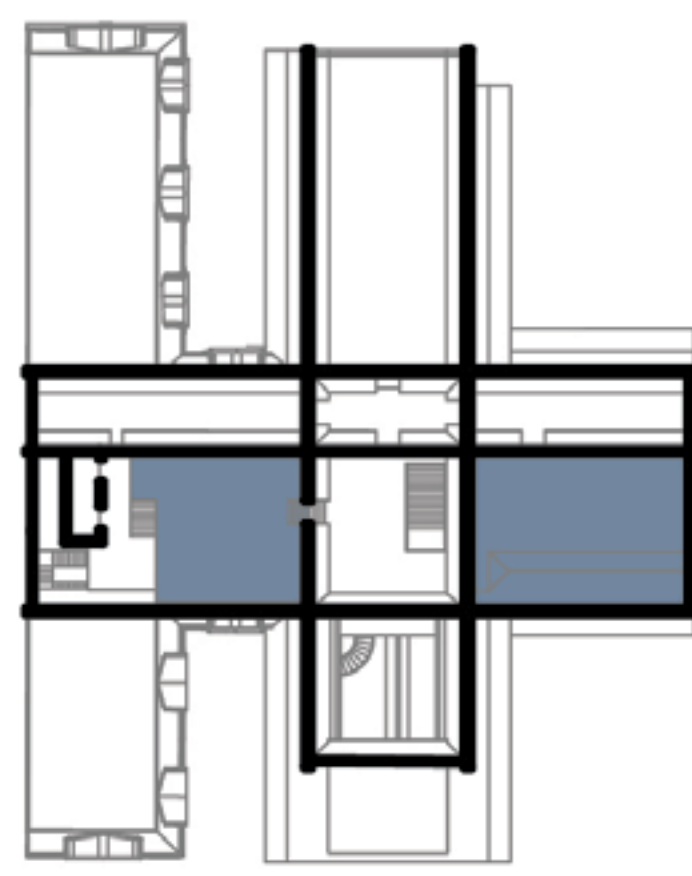
PROGRAM BREAKDOWN

BY SCALE

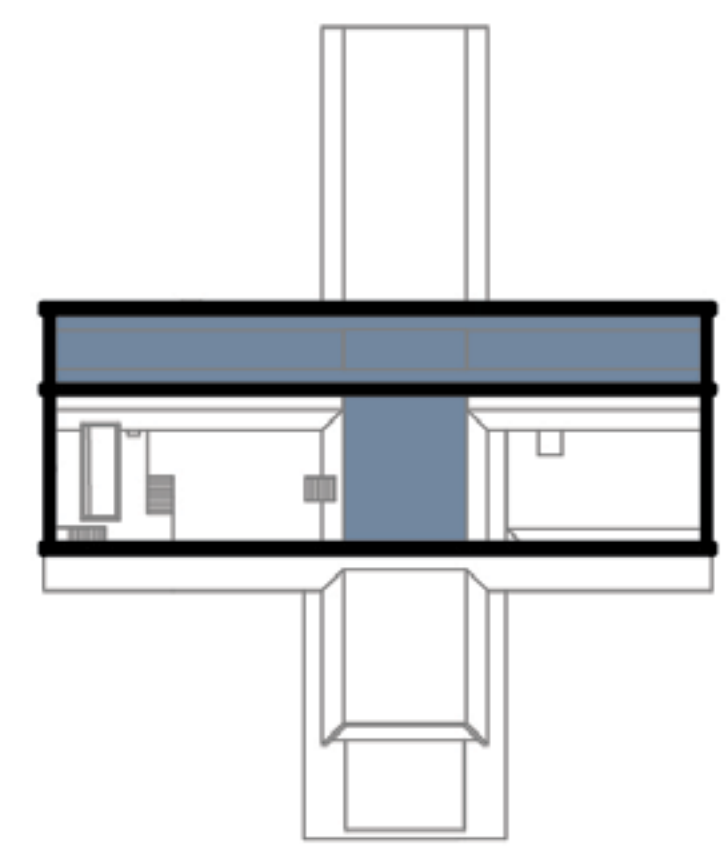


PROGRAM BREAKDOWN

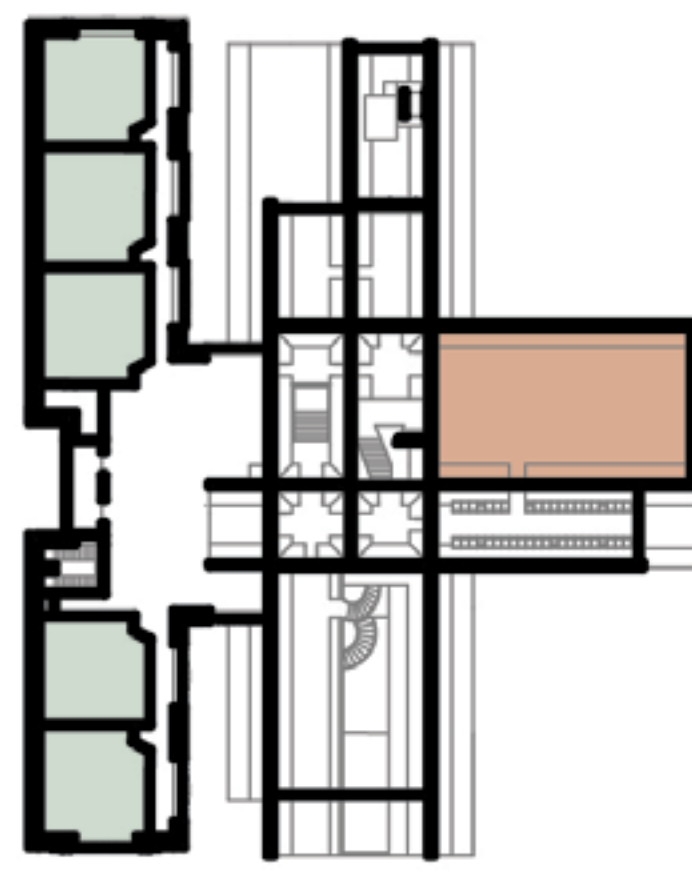
BY TYPE



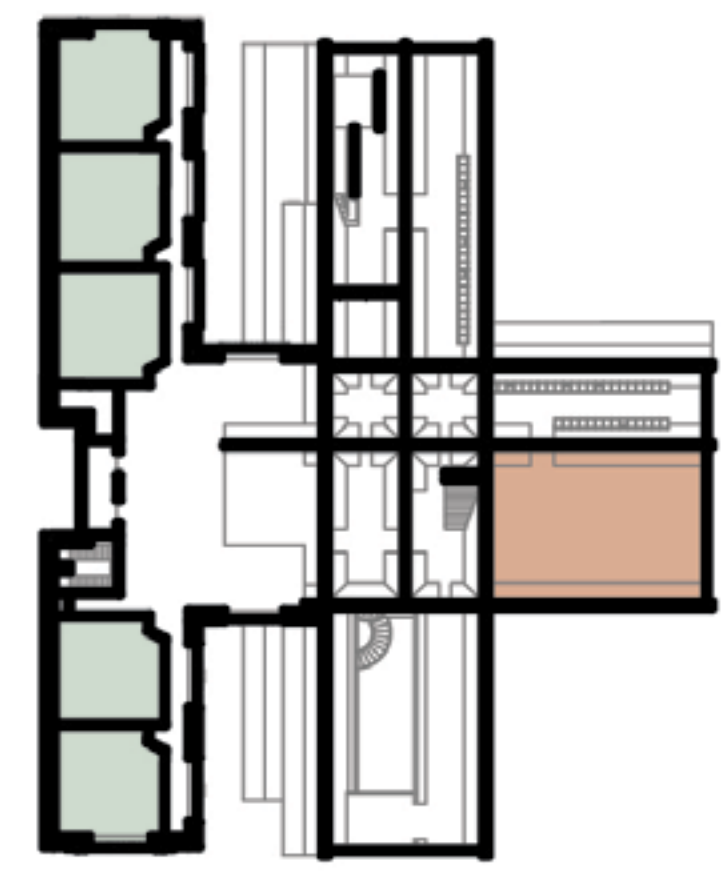
LEVEL 6



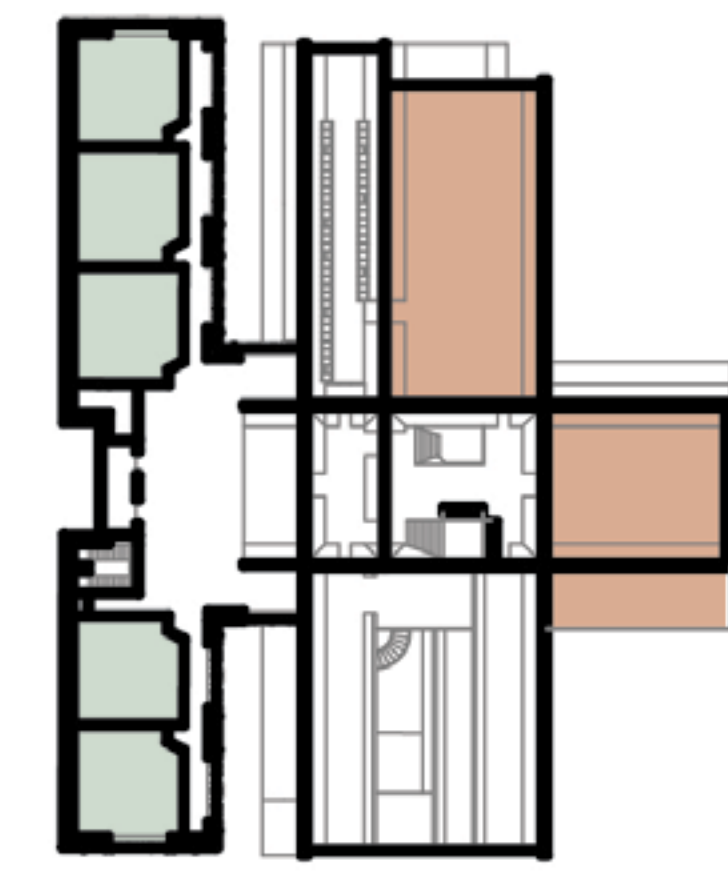
LEVEL 6 - MEZZ



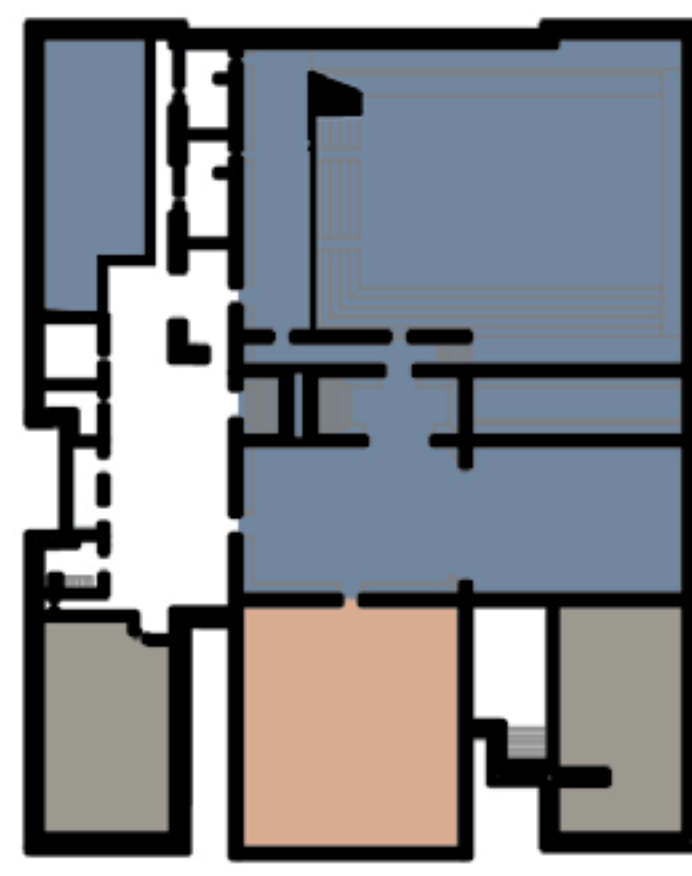
LEVEL 3



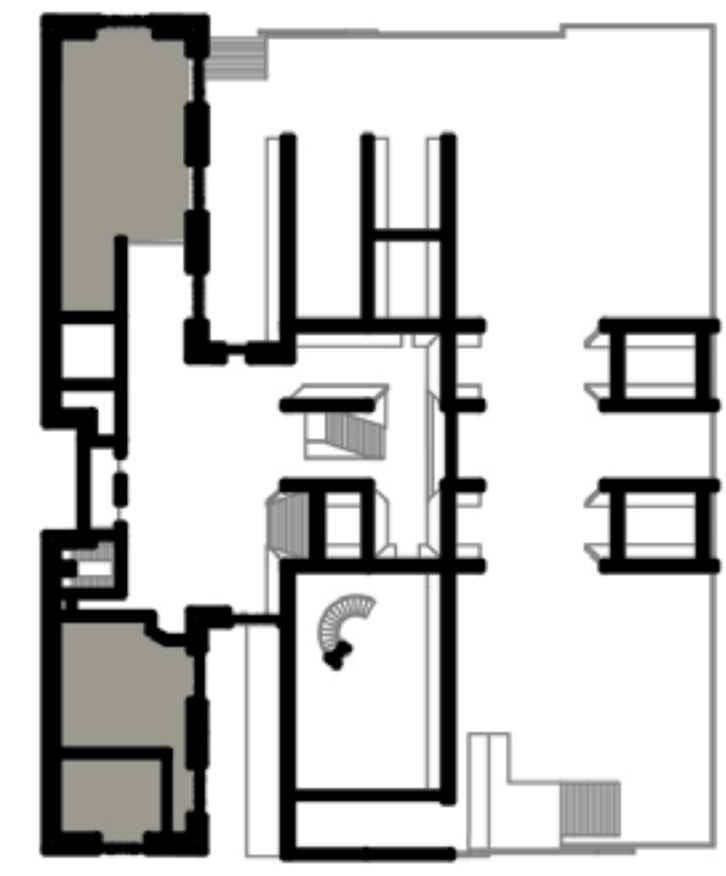
LEVEL 4



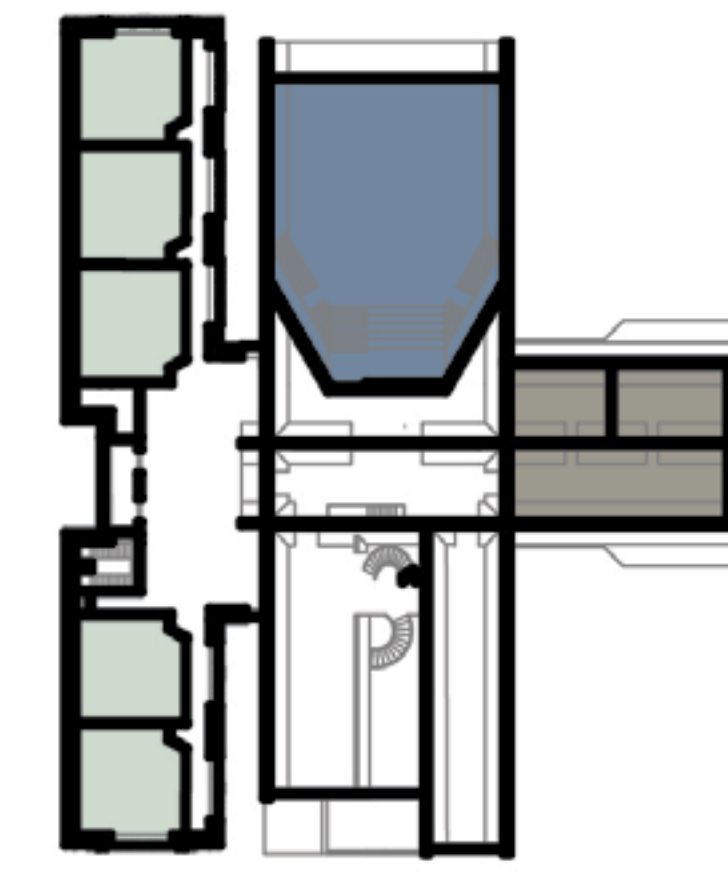
LEVEL 5



BASEMENT



LEVEL 1



LEVEL 2



SHARED



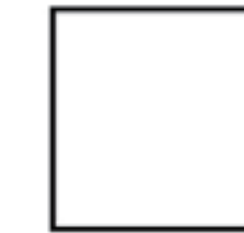
CLASSROOMS



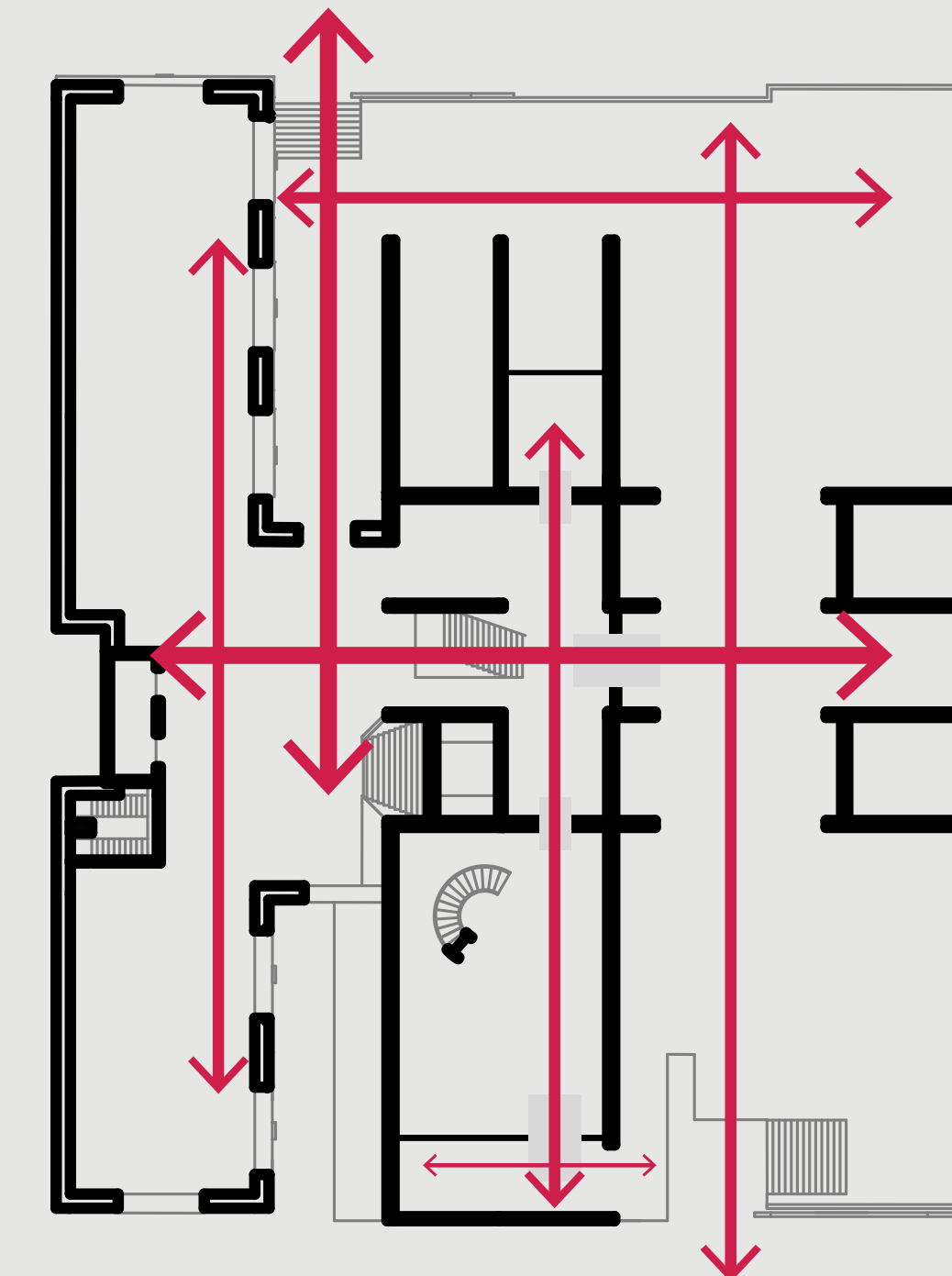
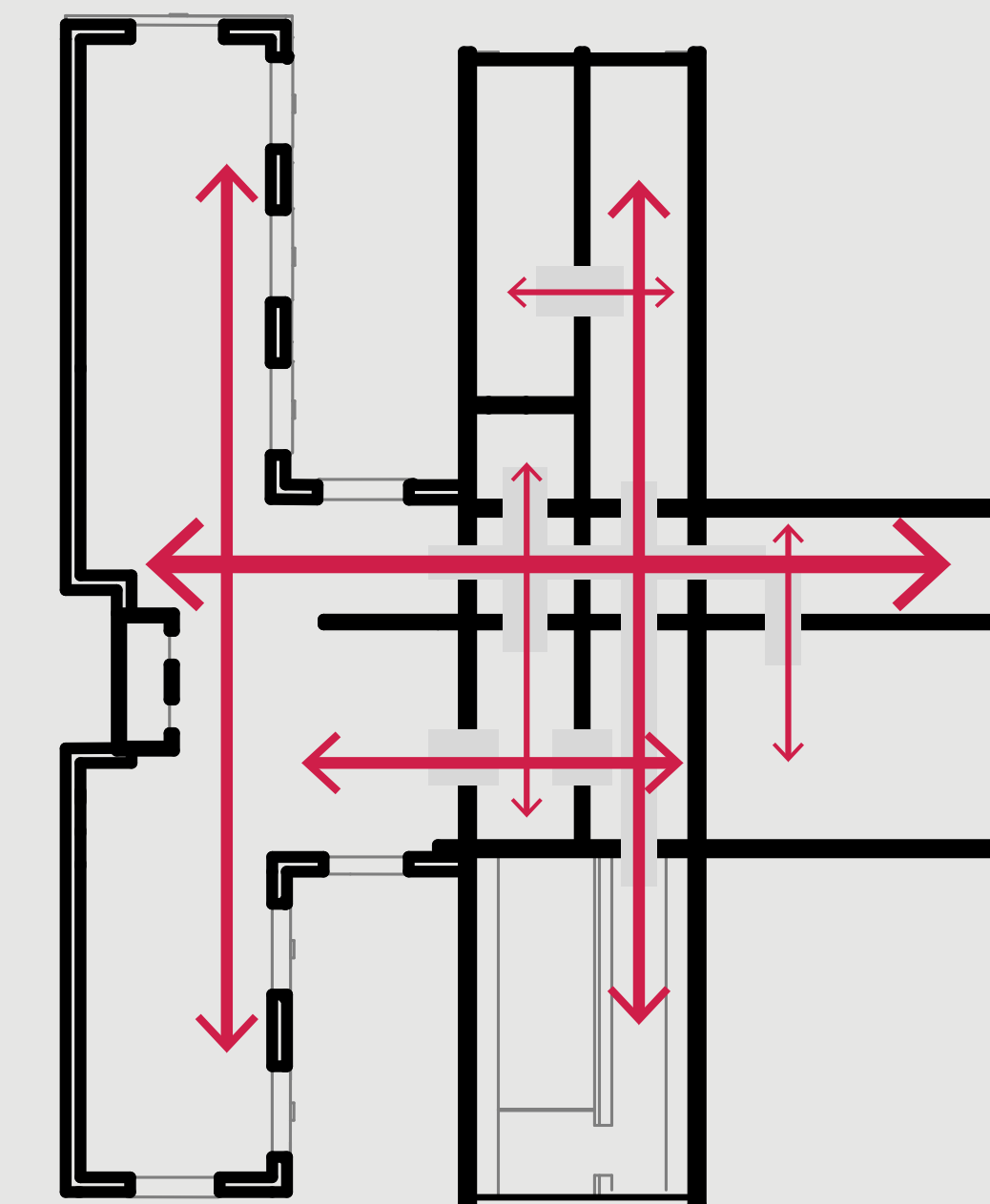
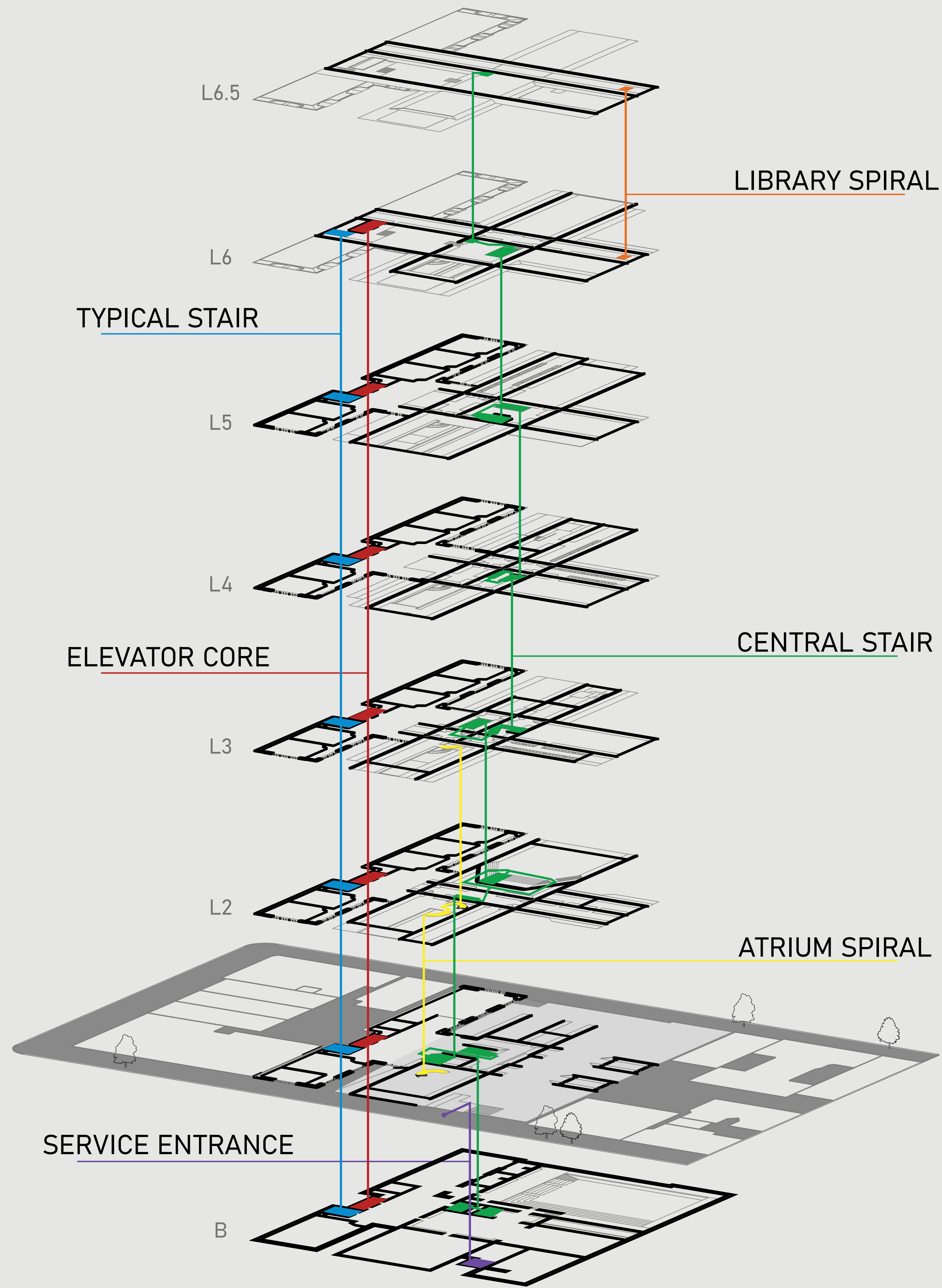
SPECIALIZED



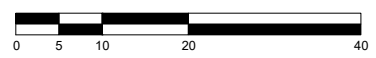
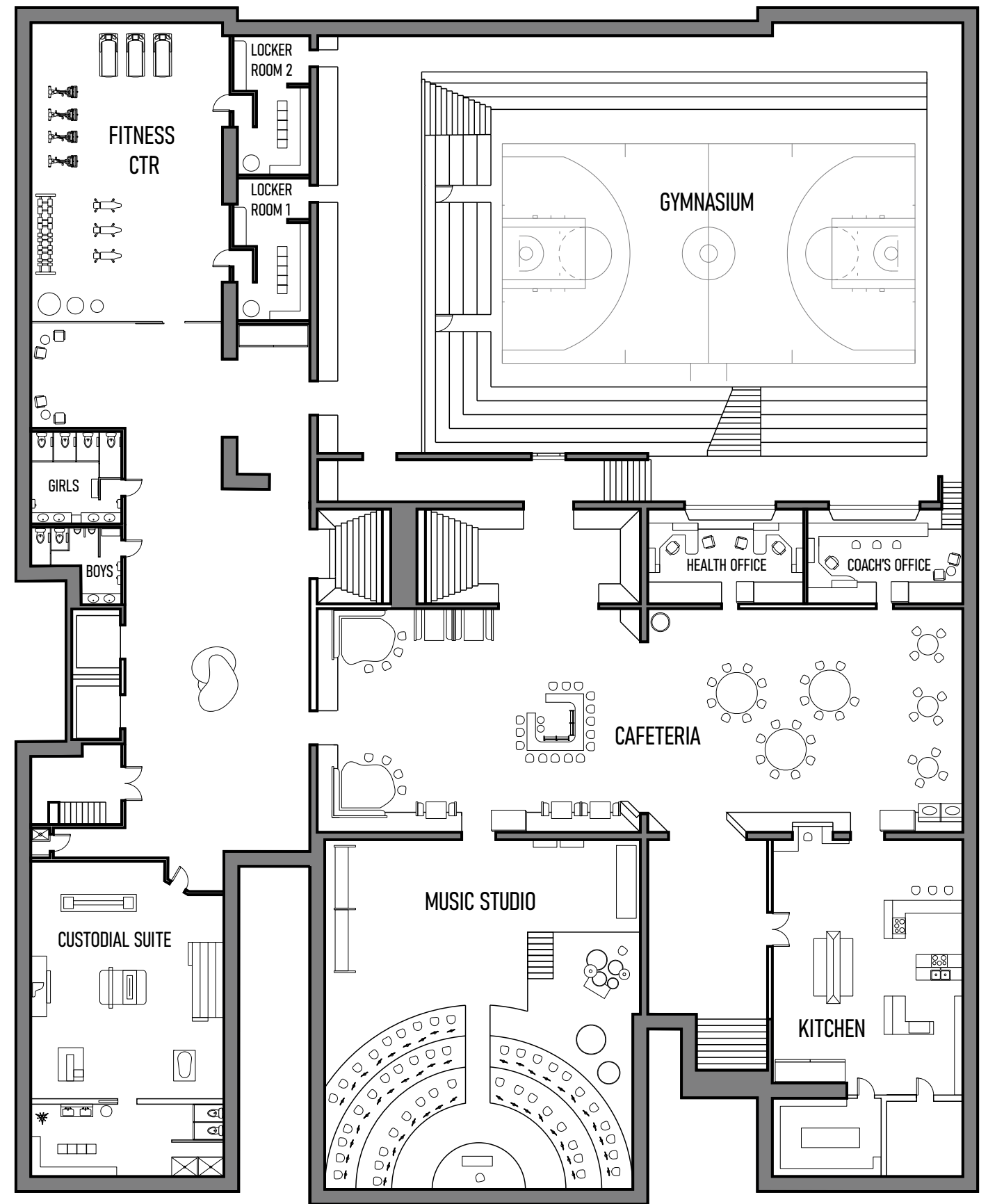
ADMIN/STAFF



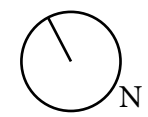
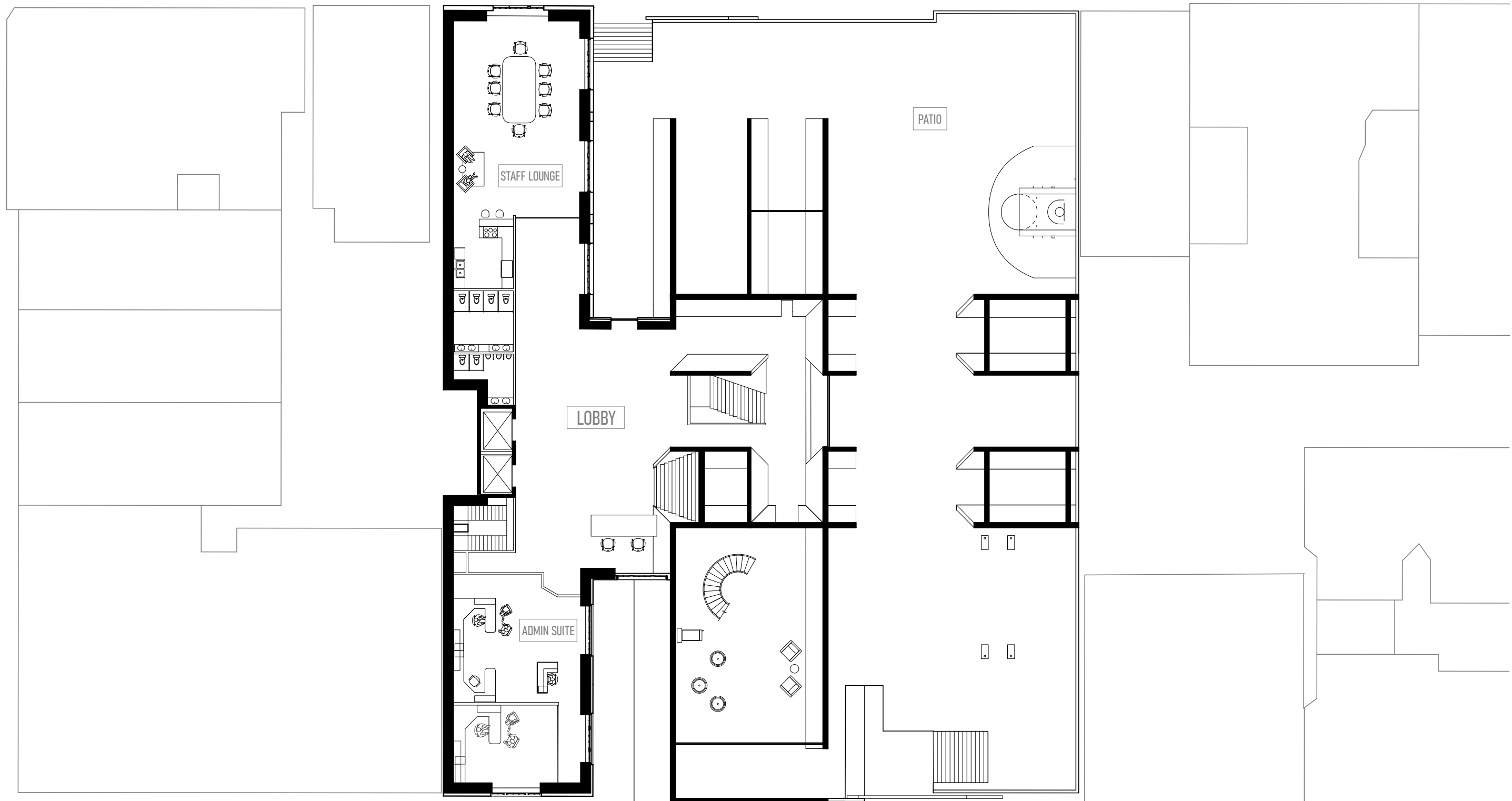
OUTDOOR/CIRCULATION/FLEXIBLE



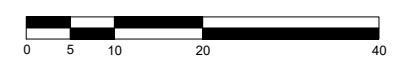
CIRCULATION
 VERTICAL & HORIZONTAL

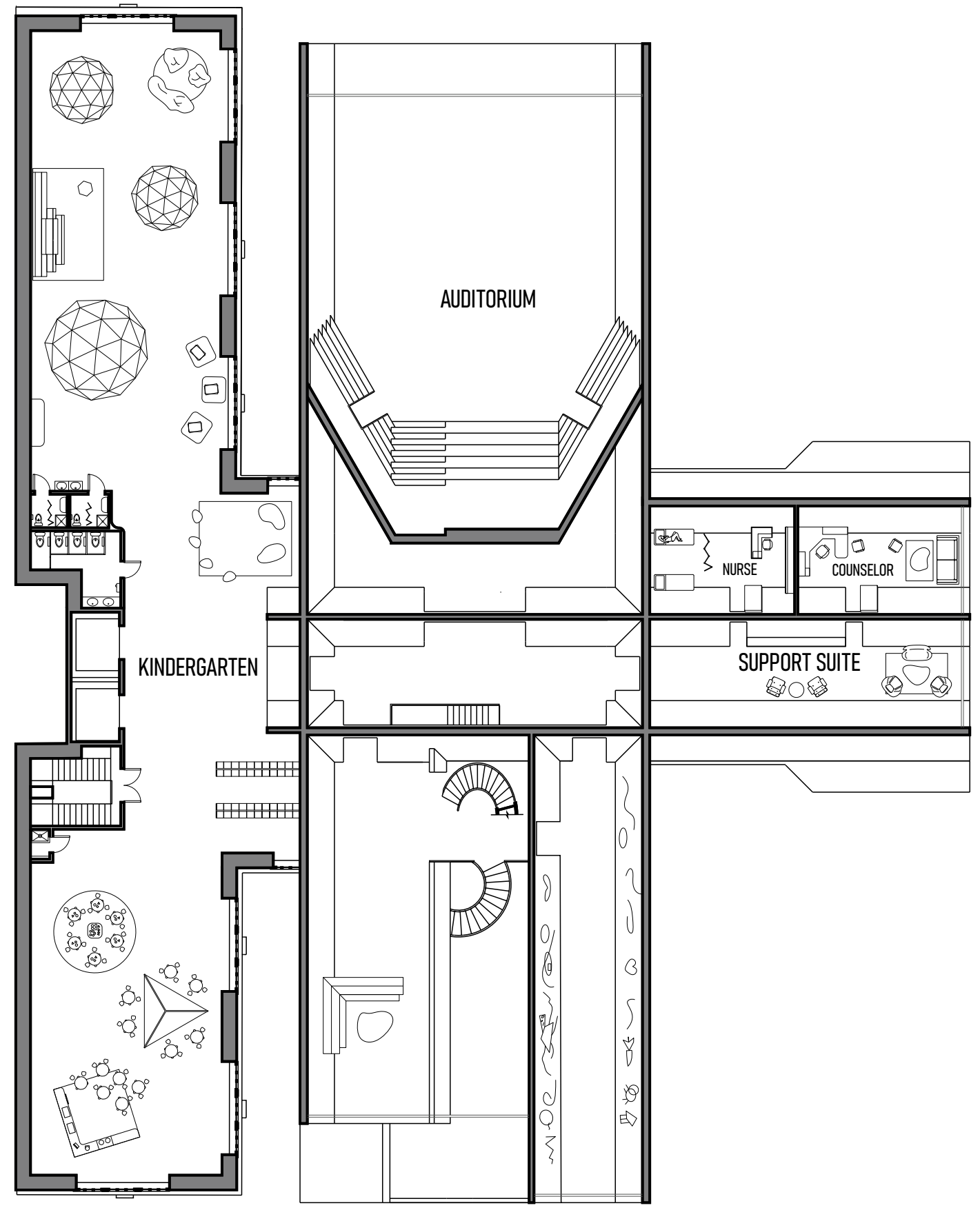


B

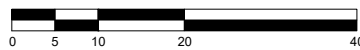
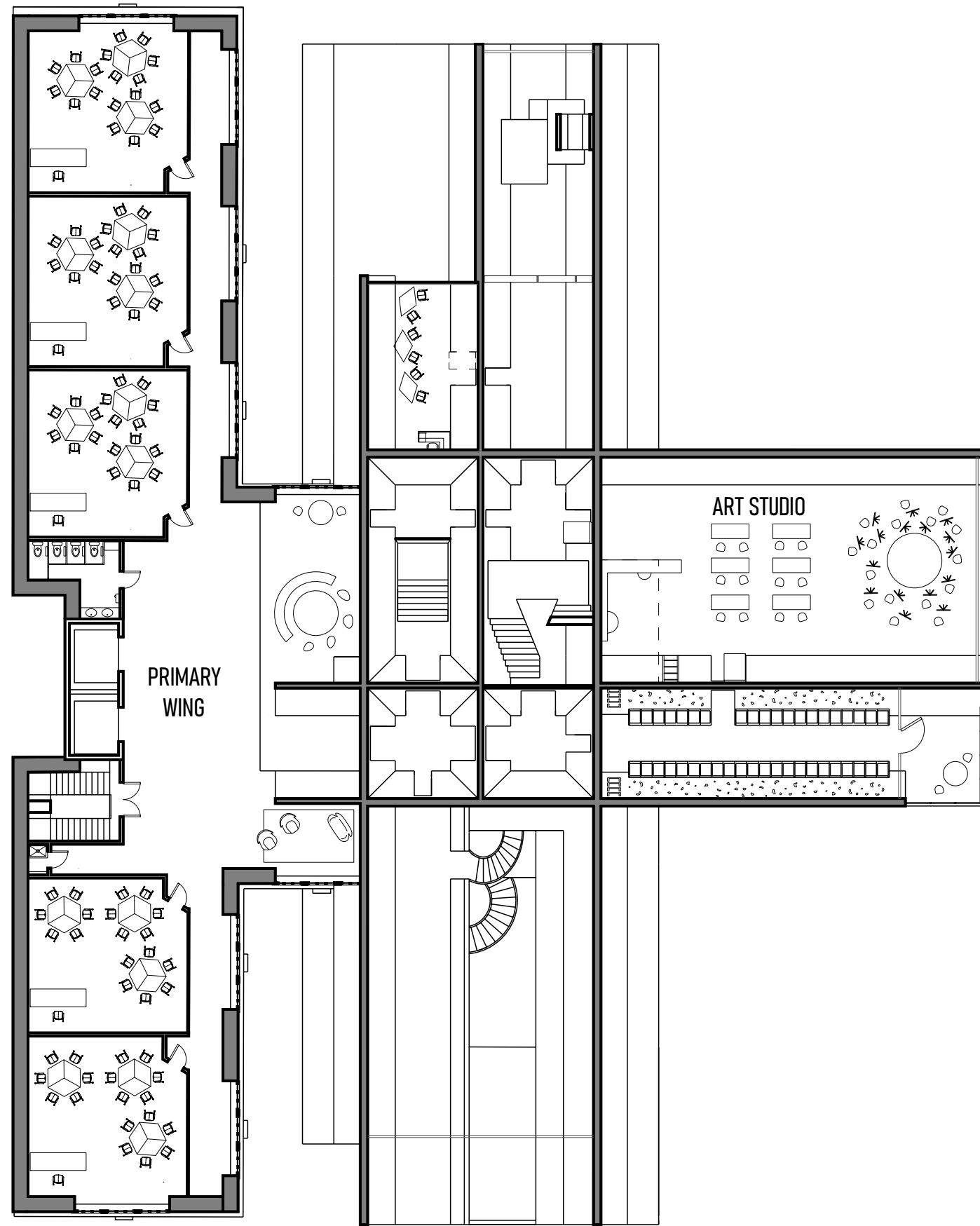


GROUND FLOOR PLAN

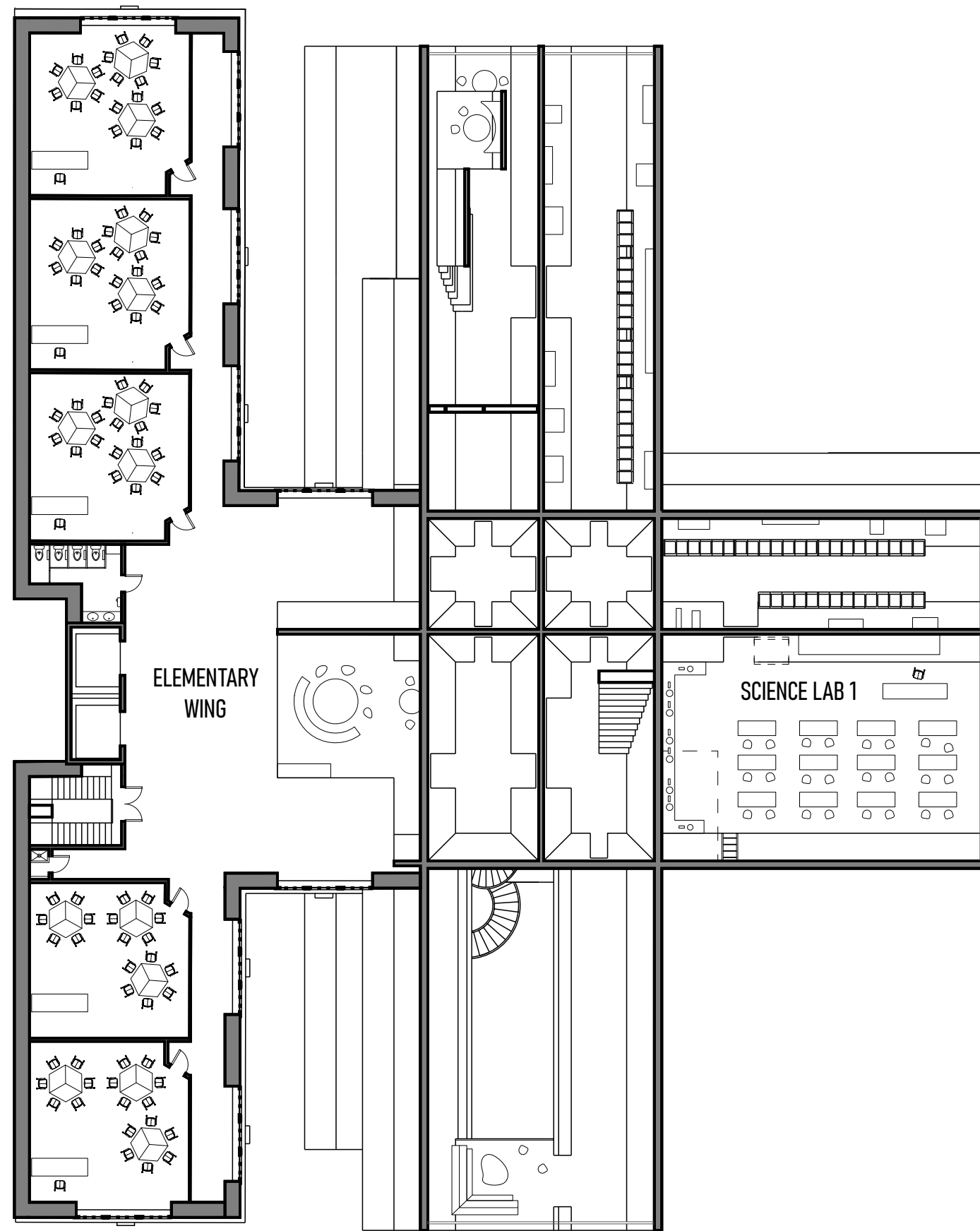




L2

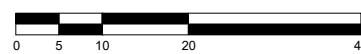


L3

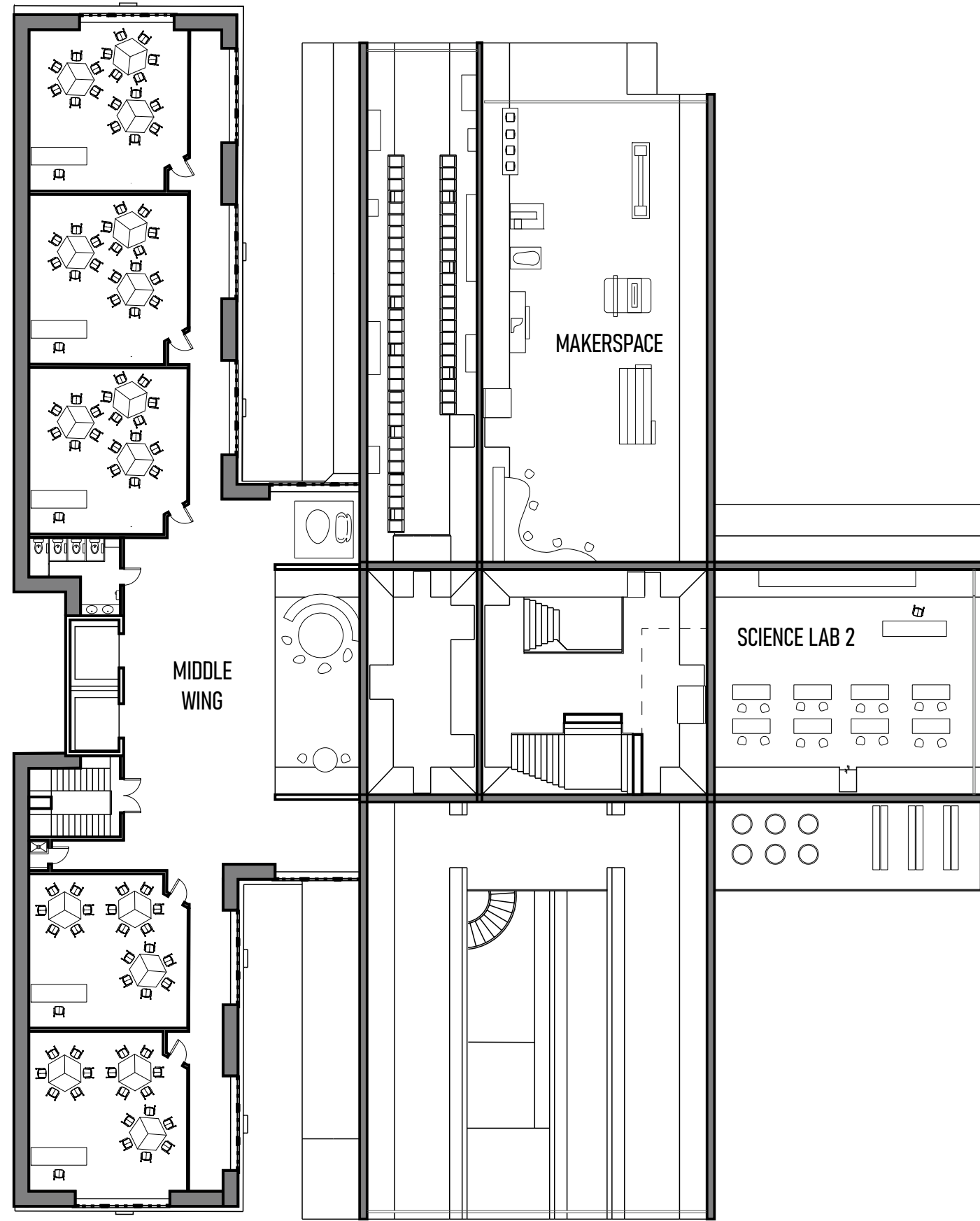


ELEMENTARY WING

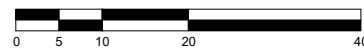
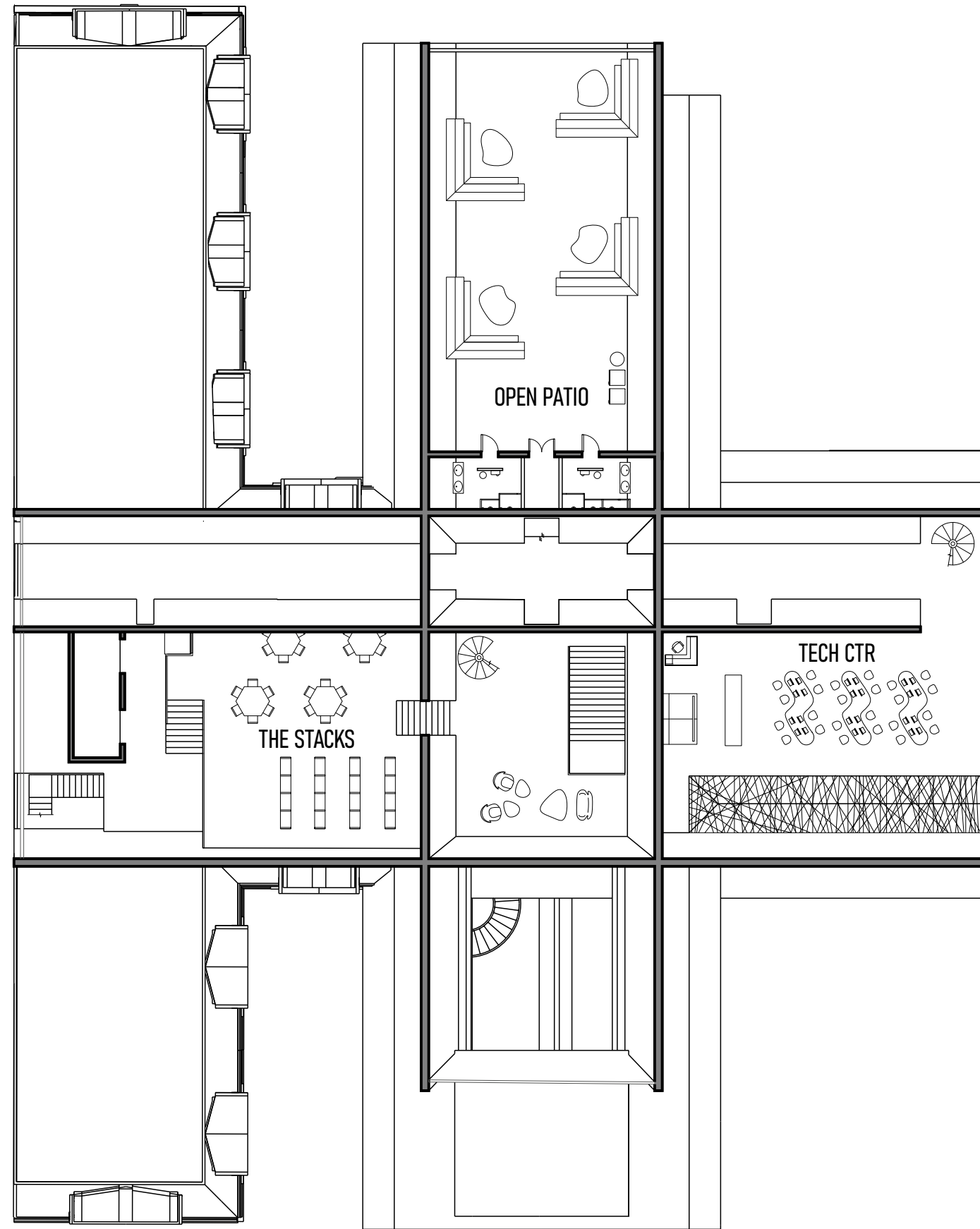
SCIENCE LAB 1



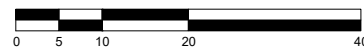
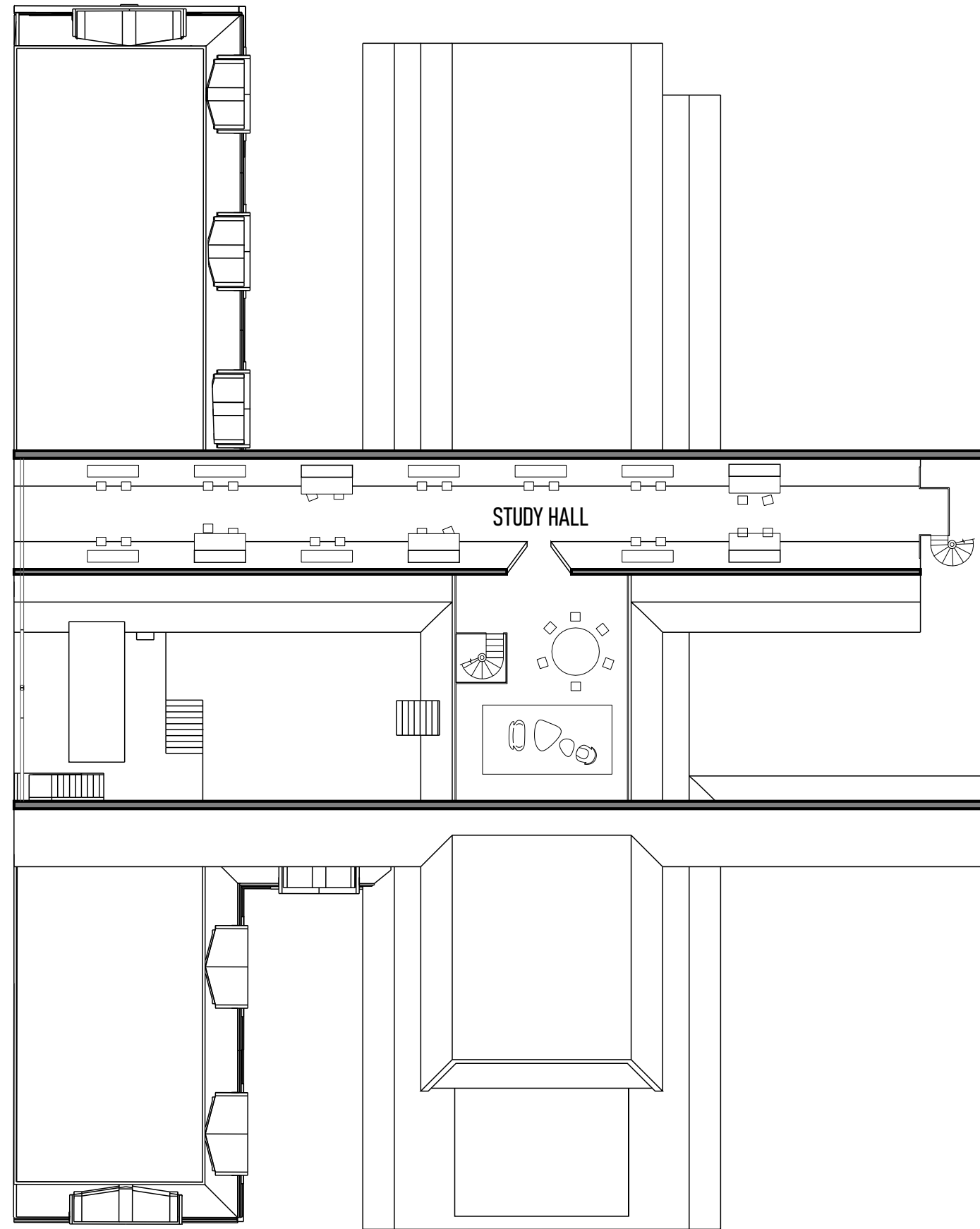
L4

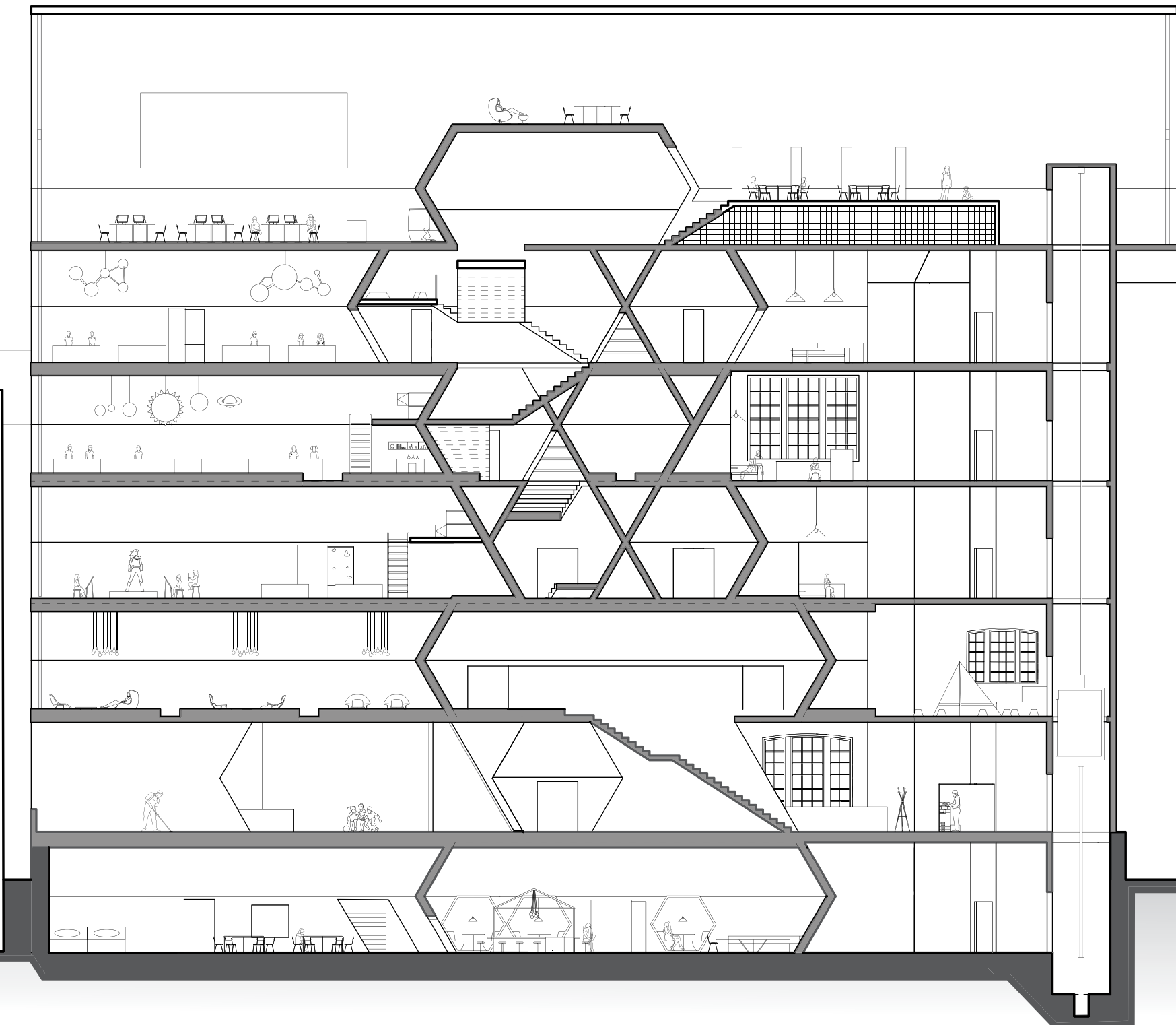
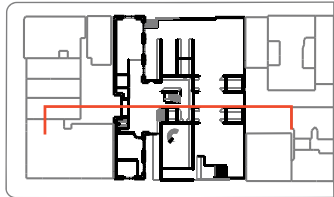


L5

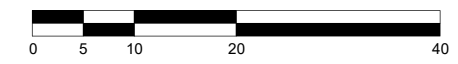


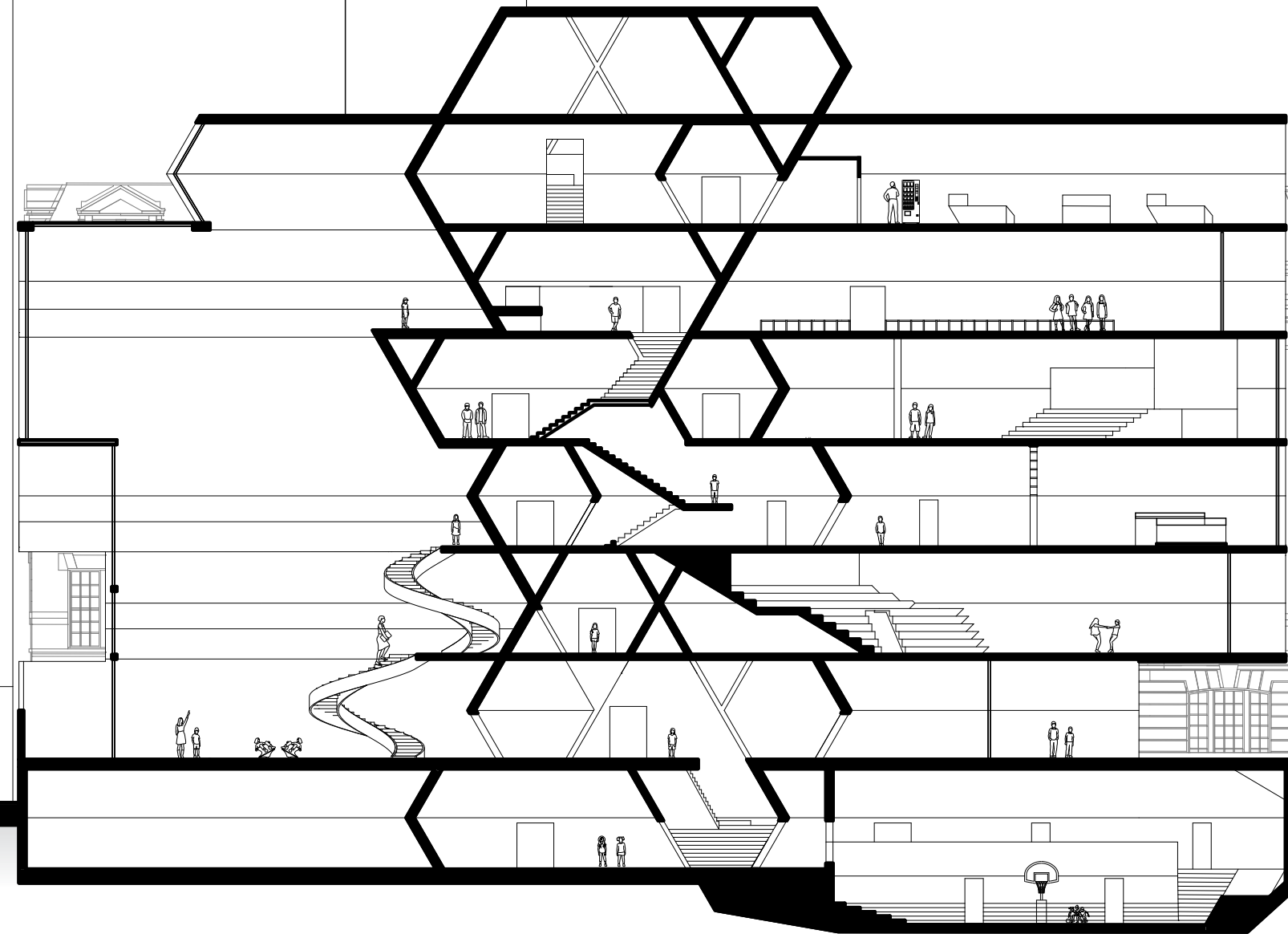
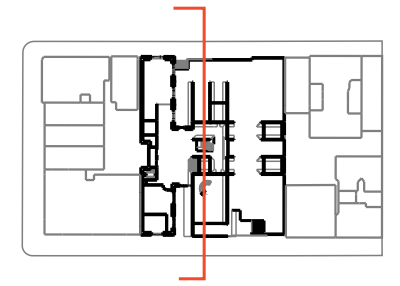
L6





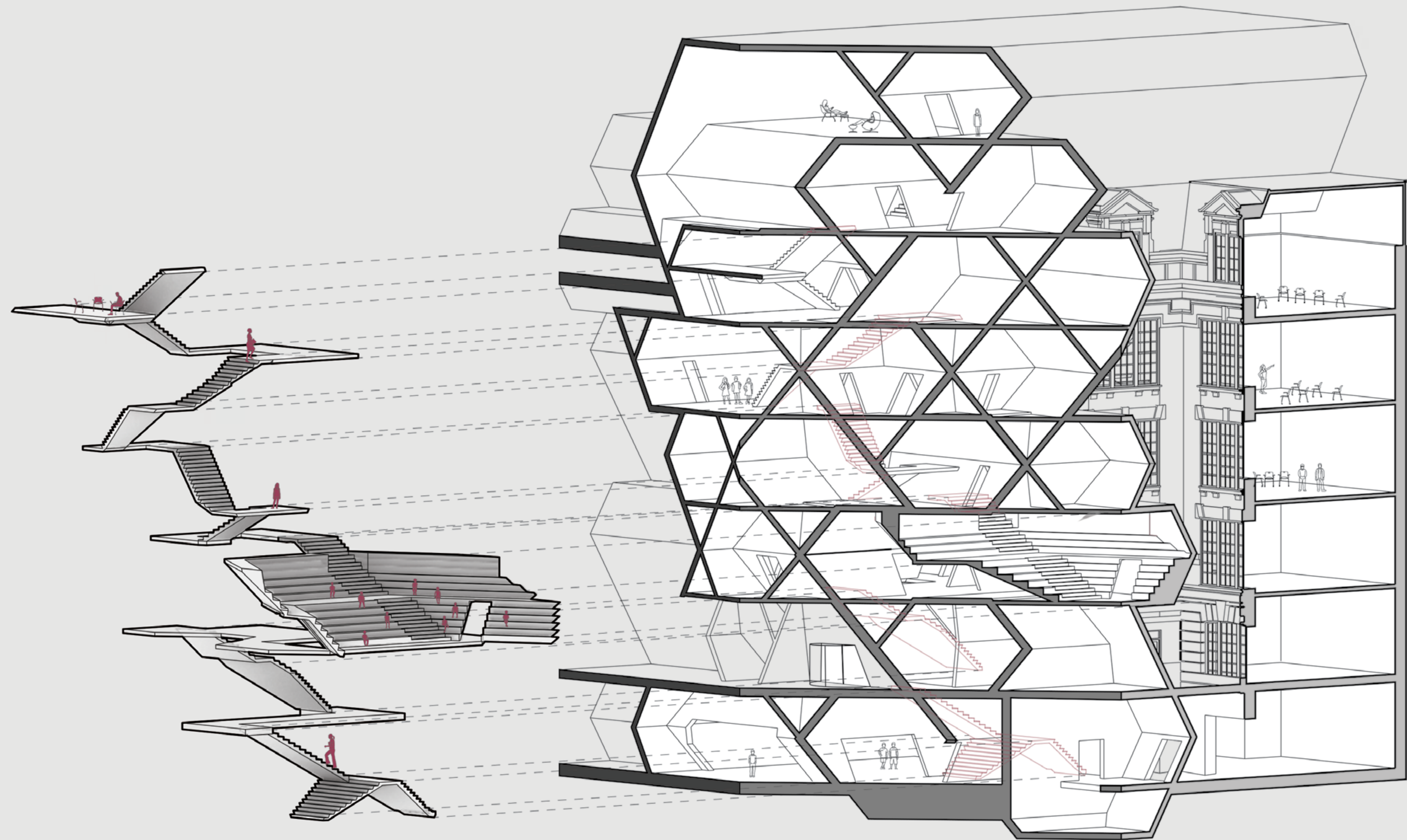
SECTION
FACING SOUTH



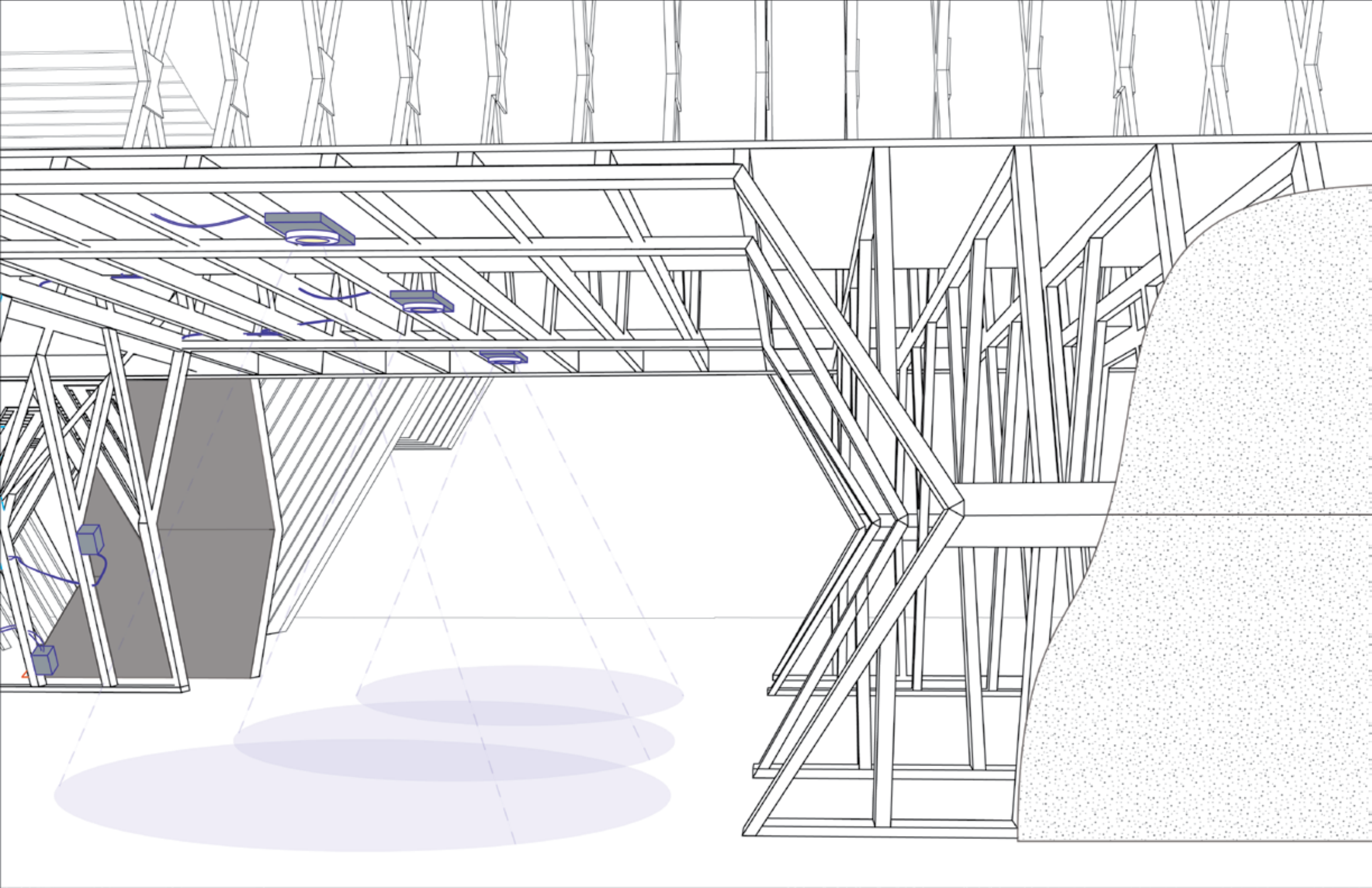


SECTION
FACING WEST

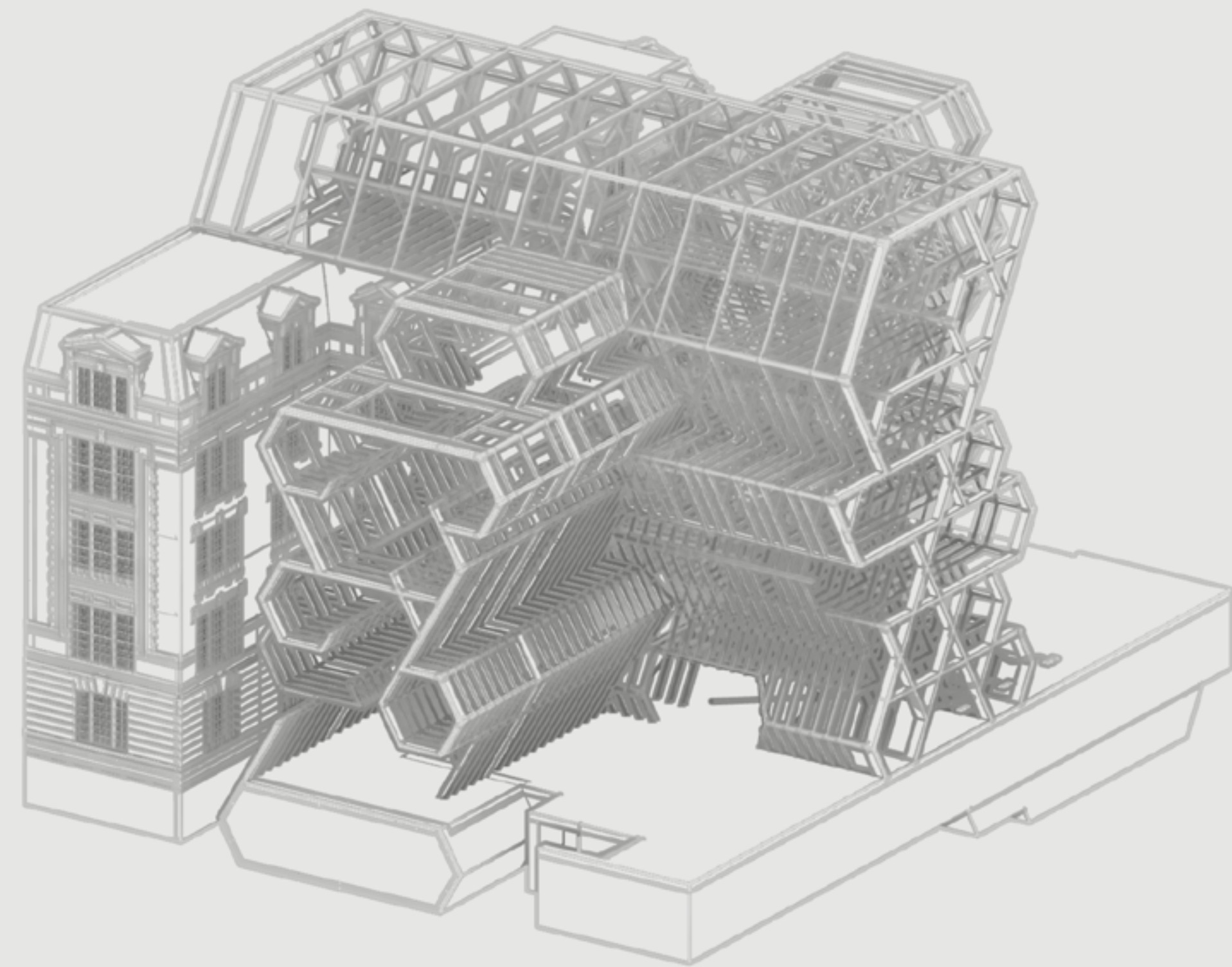
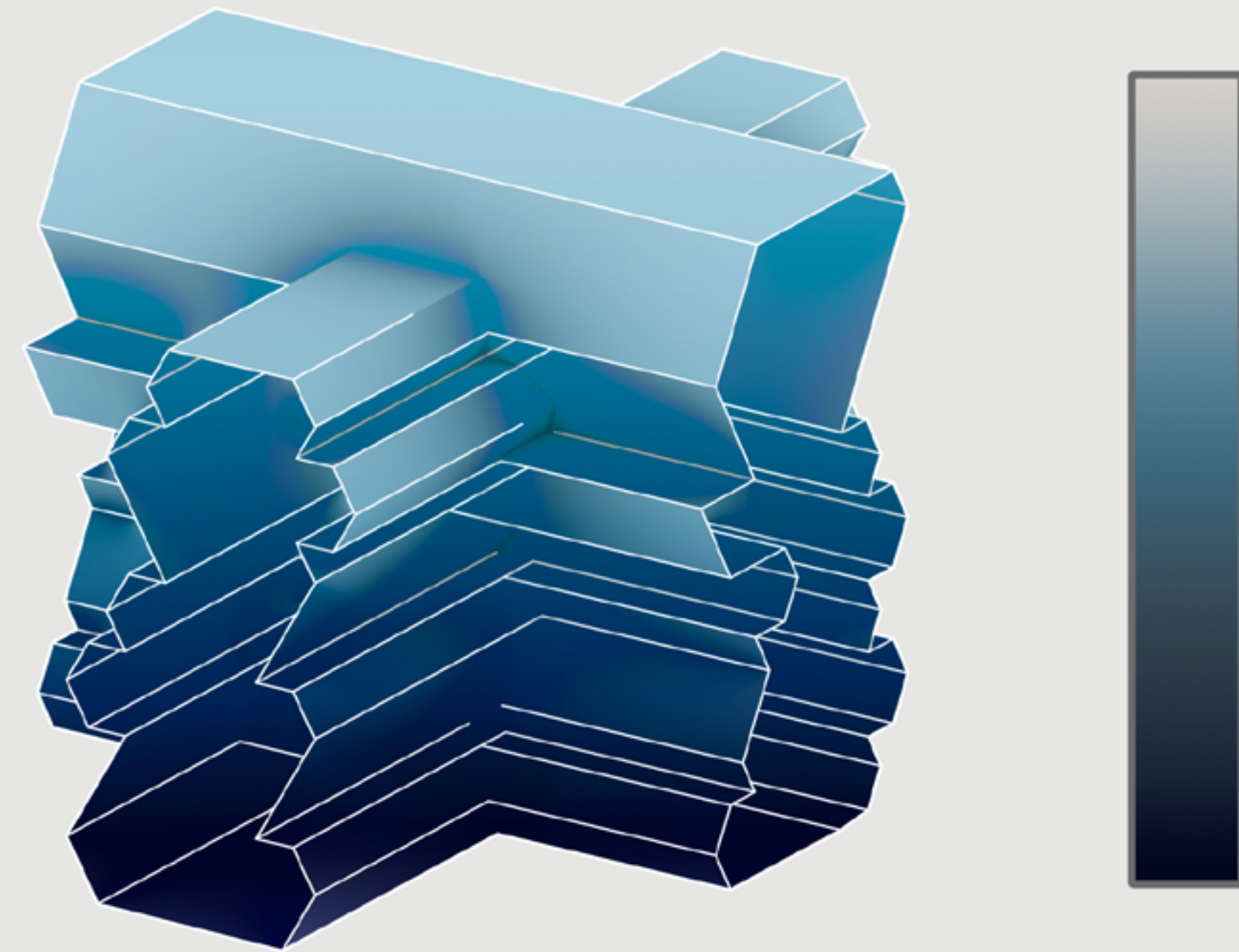




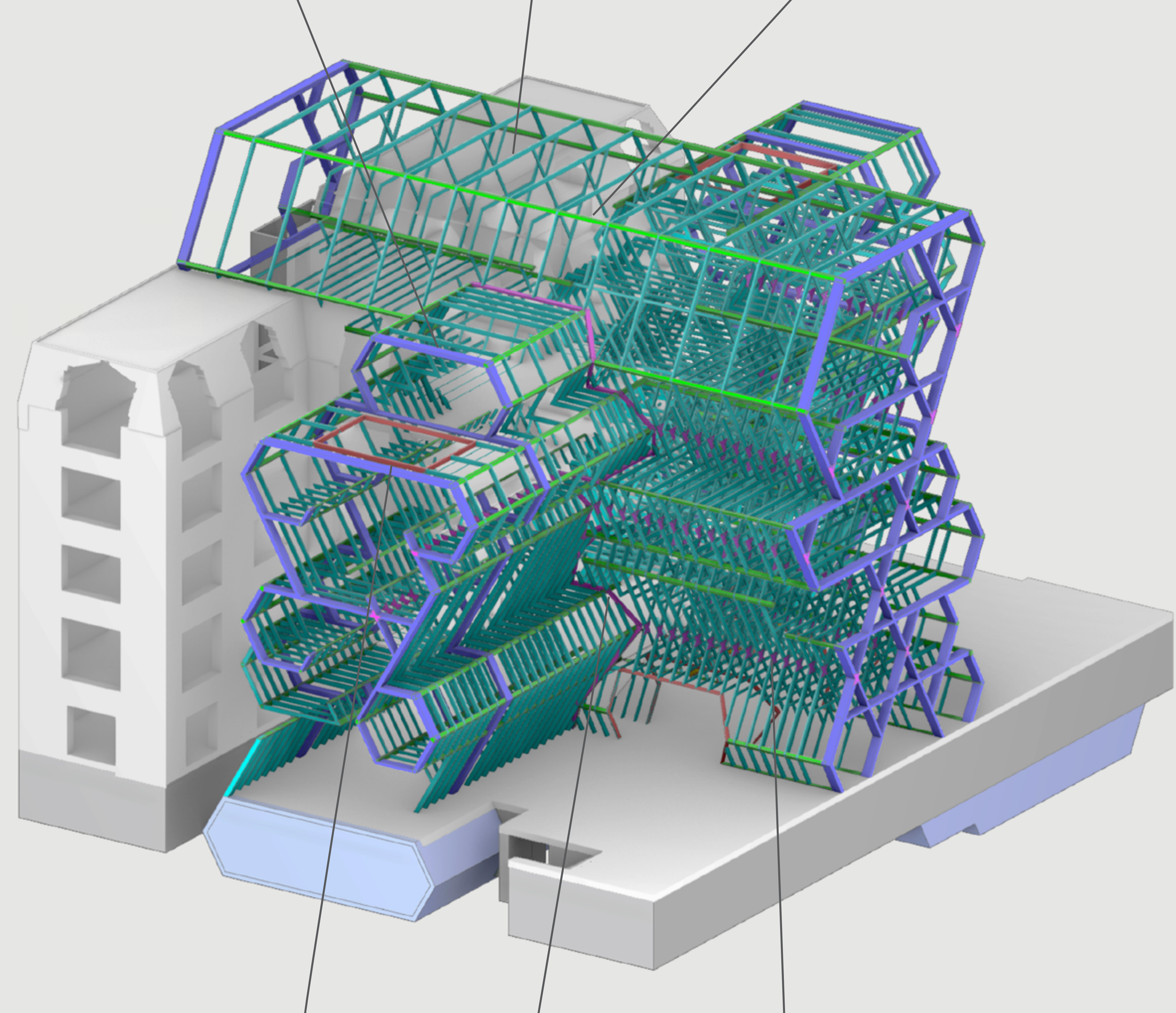
CIRCULATION
CENTRAL STAIR



LIGHT GAUGE CFS FRAMING

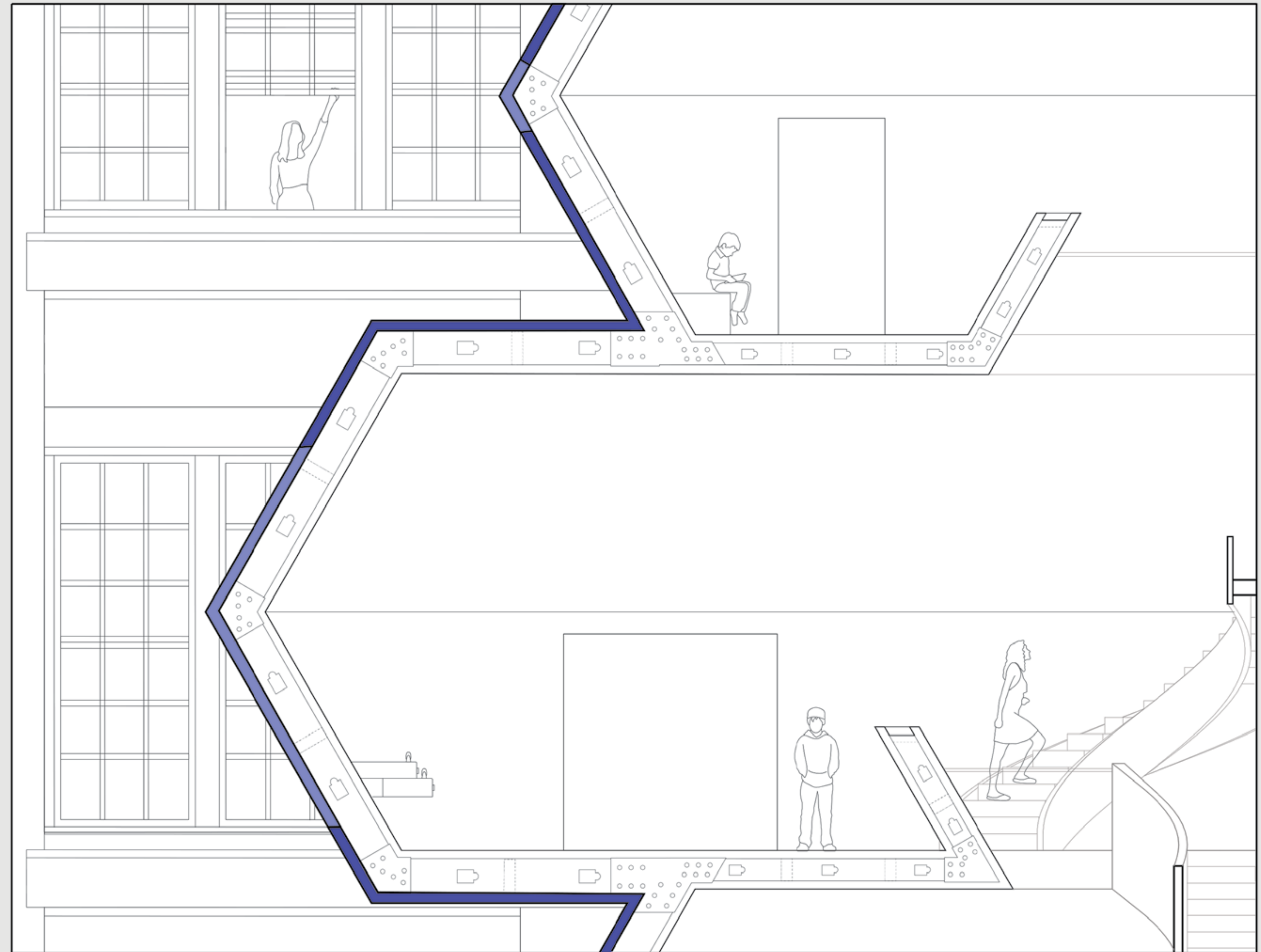
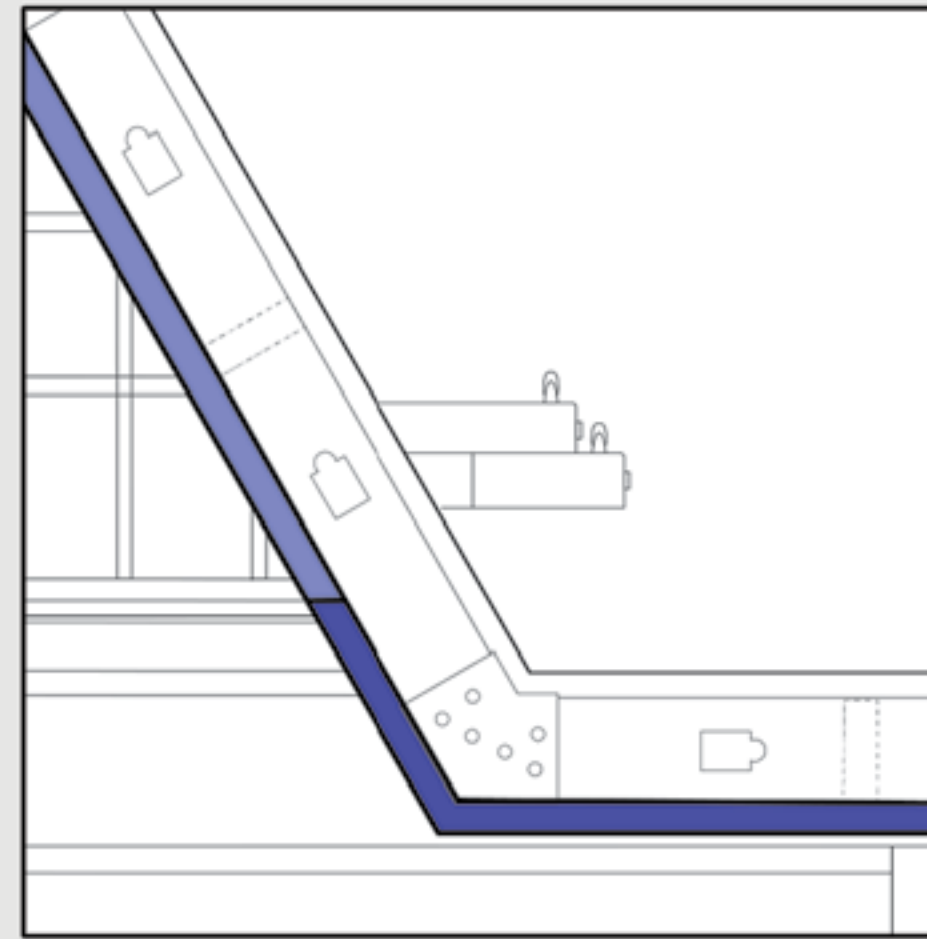


PRIMARY FRAMES | TYPICAL FRAMES | LONGITUDINAL TRACKS



TRIM FRAMING | INTERSECTION JOINT | TENSION STRAPS

STRUCTURE
FRAMING GRADATION



SECTION - EXPANSION JOINT AT EXISTING BLDG - 1/2" = 1'-0"

CONSTRUCTION DETAIL
EXPANSION JOINT



