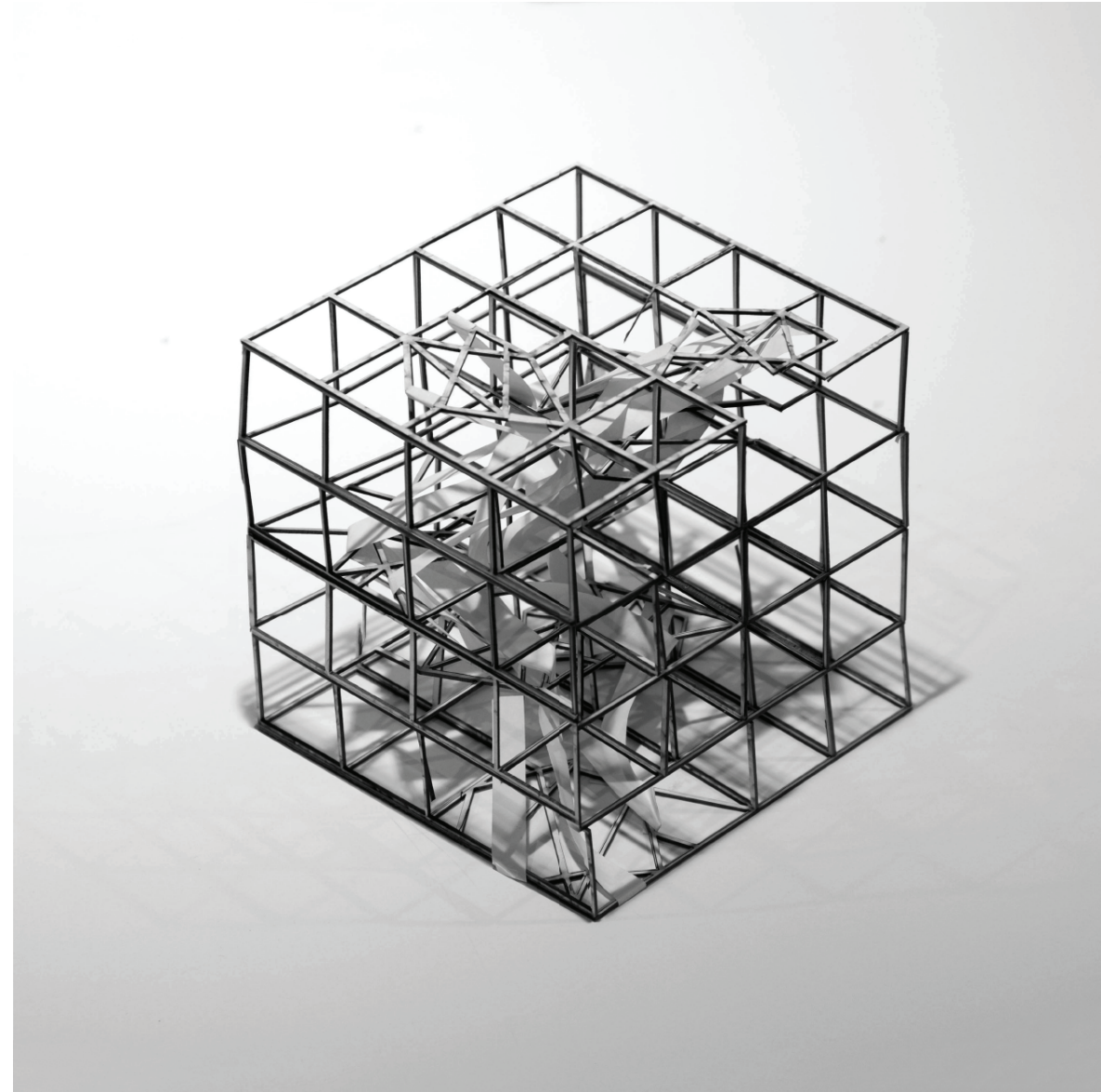
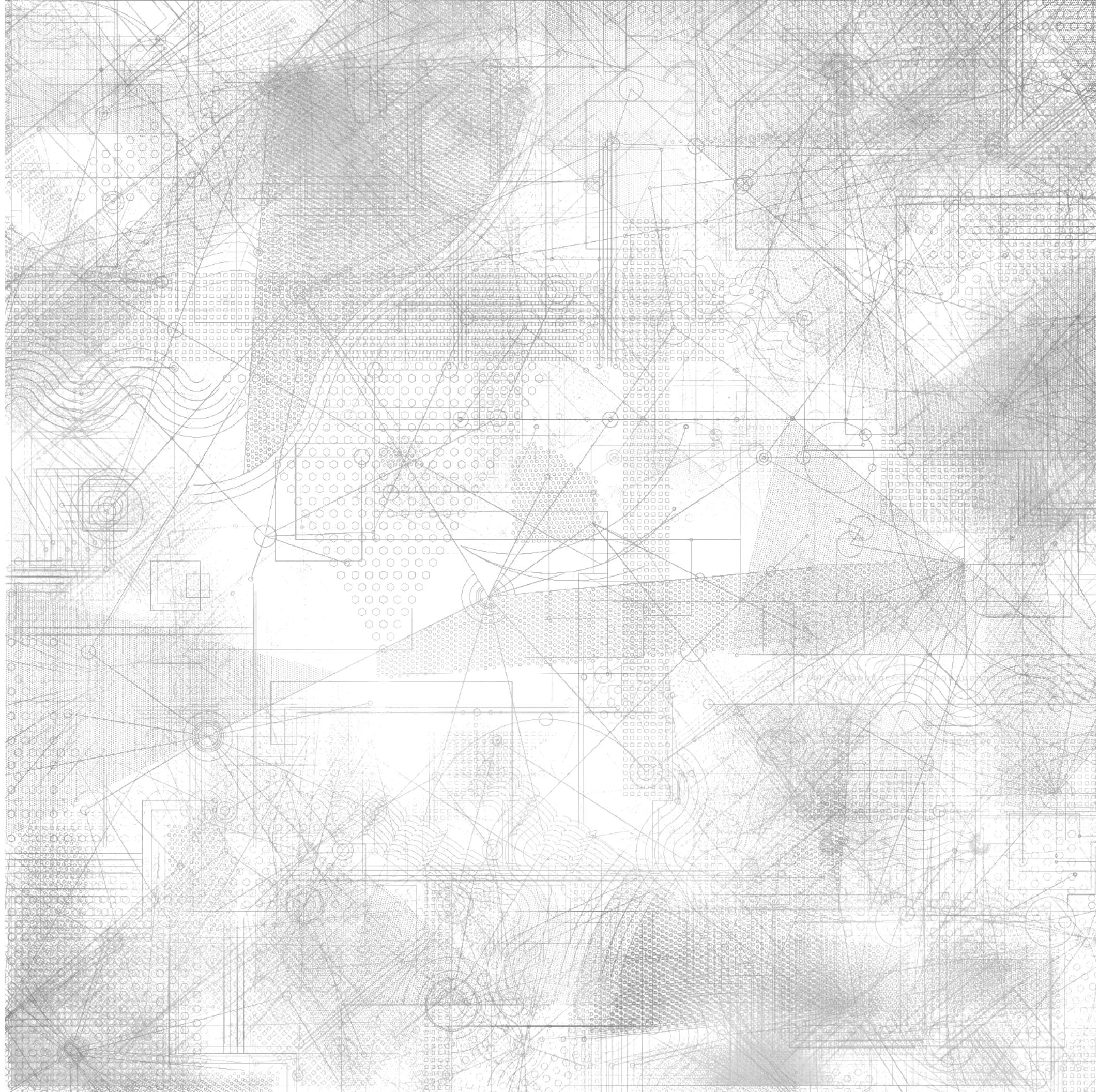
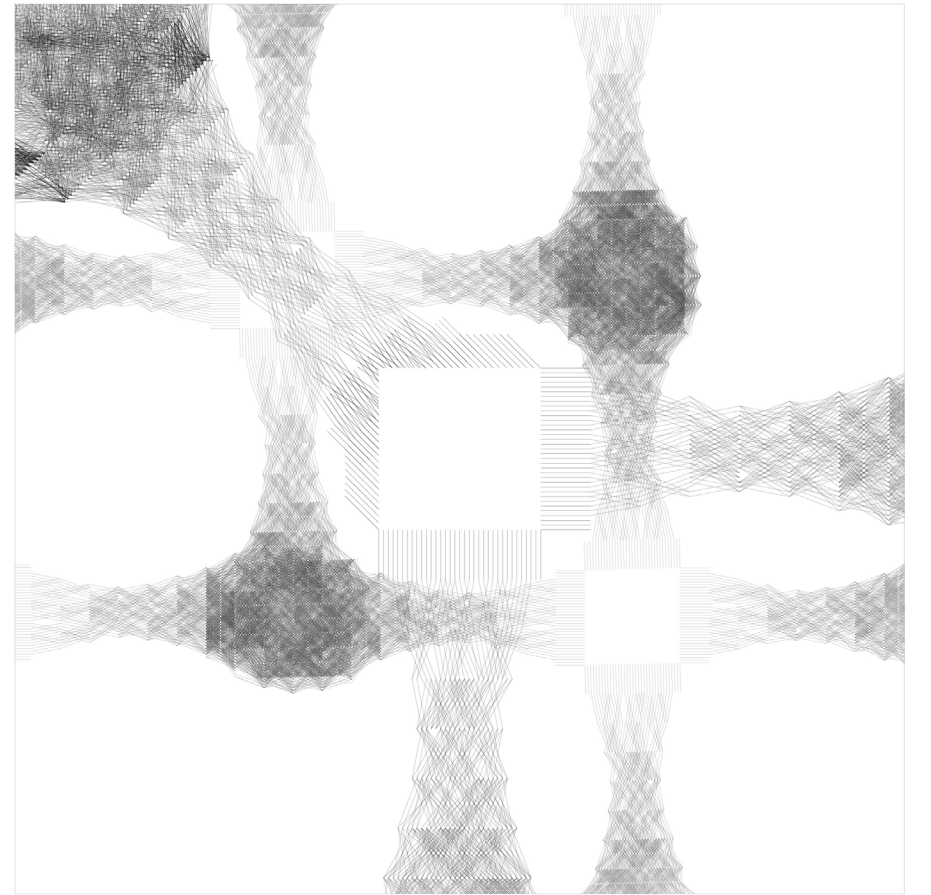
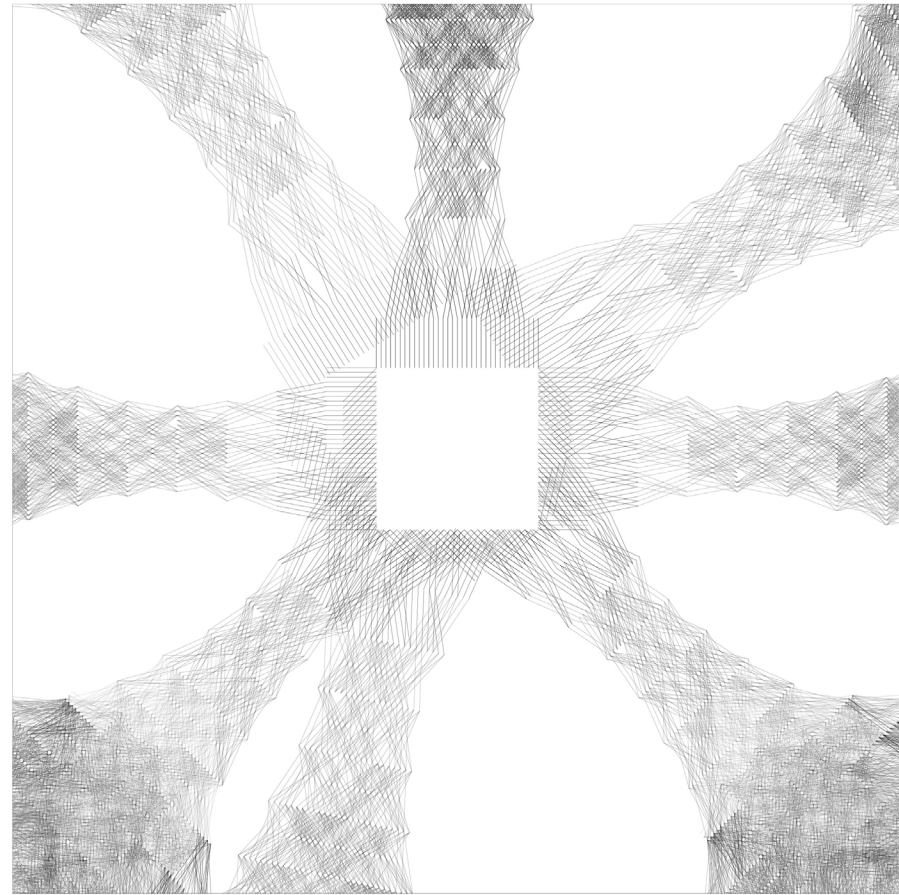
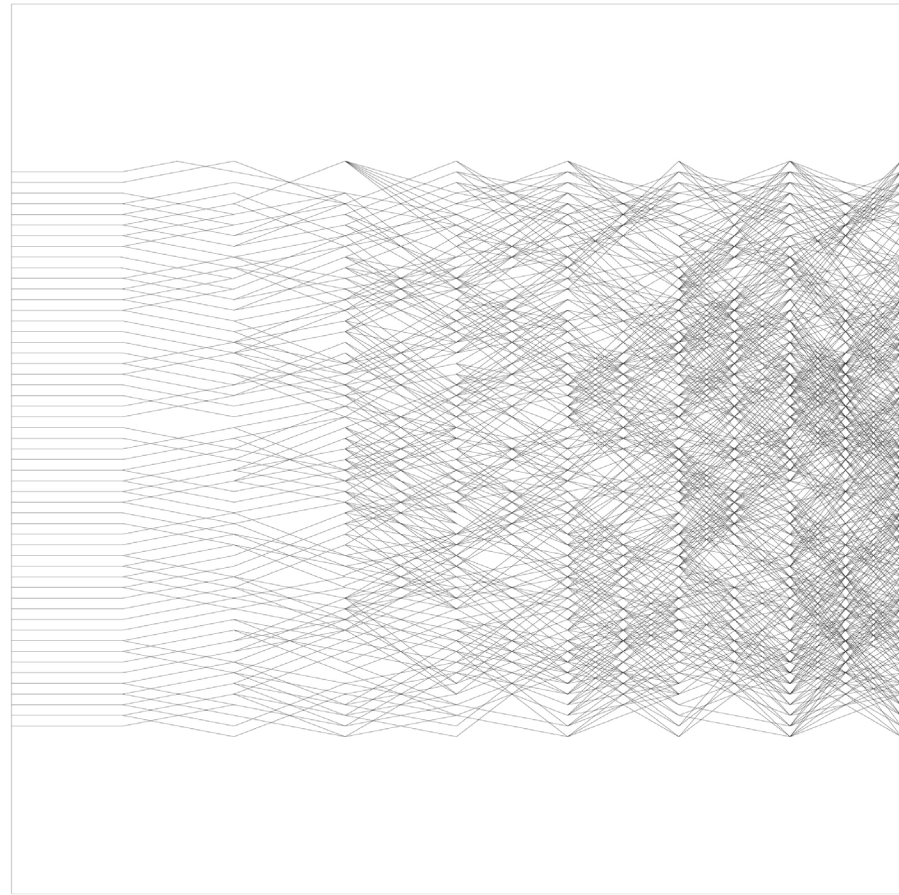


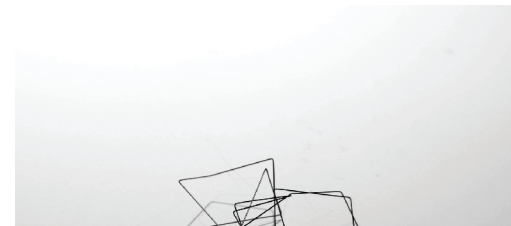
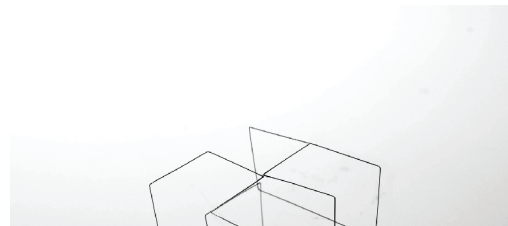
TENDING AGAINST TENDENCY
Or: The School of Inviting The Chaos In





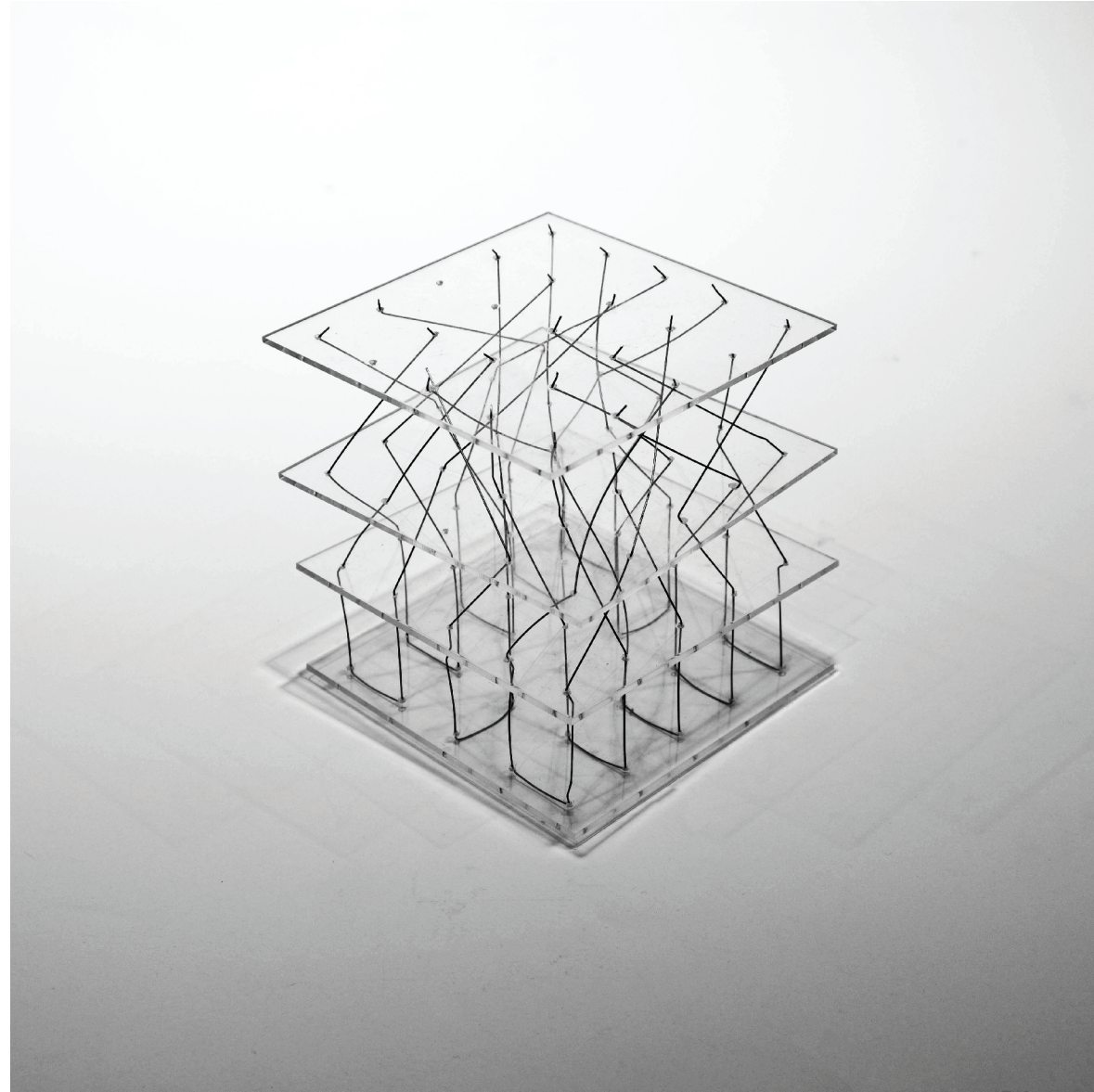


O
R
D
E
R



C
H
A
O
S

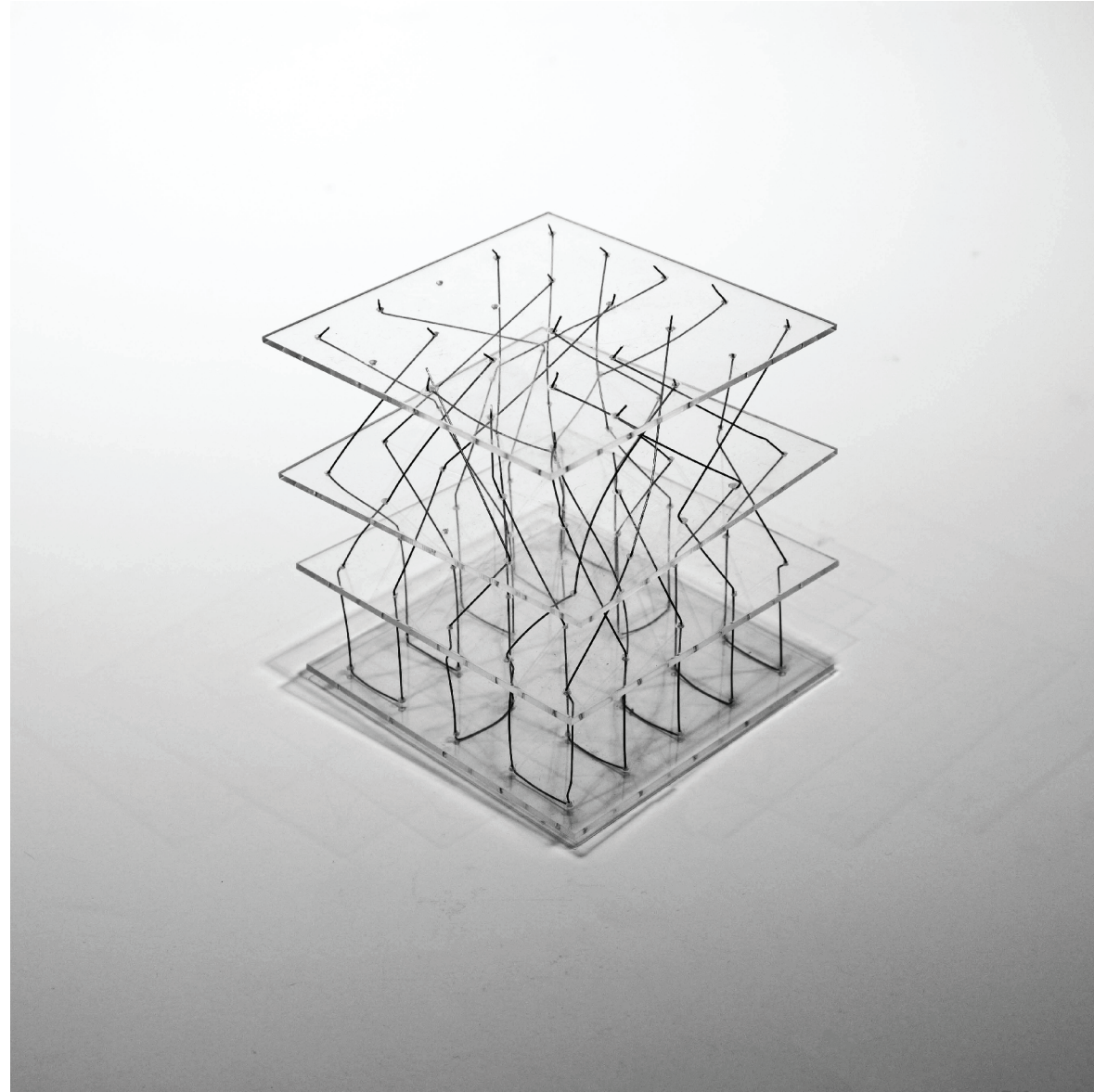
IRREGULAR



DENSE



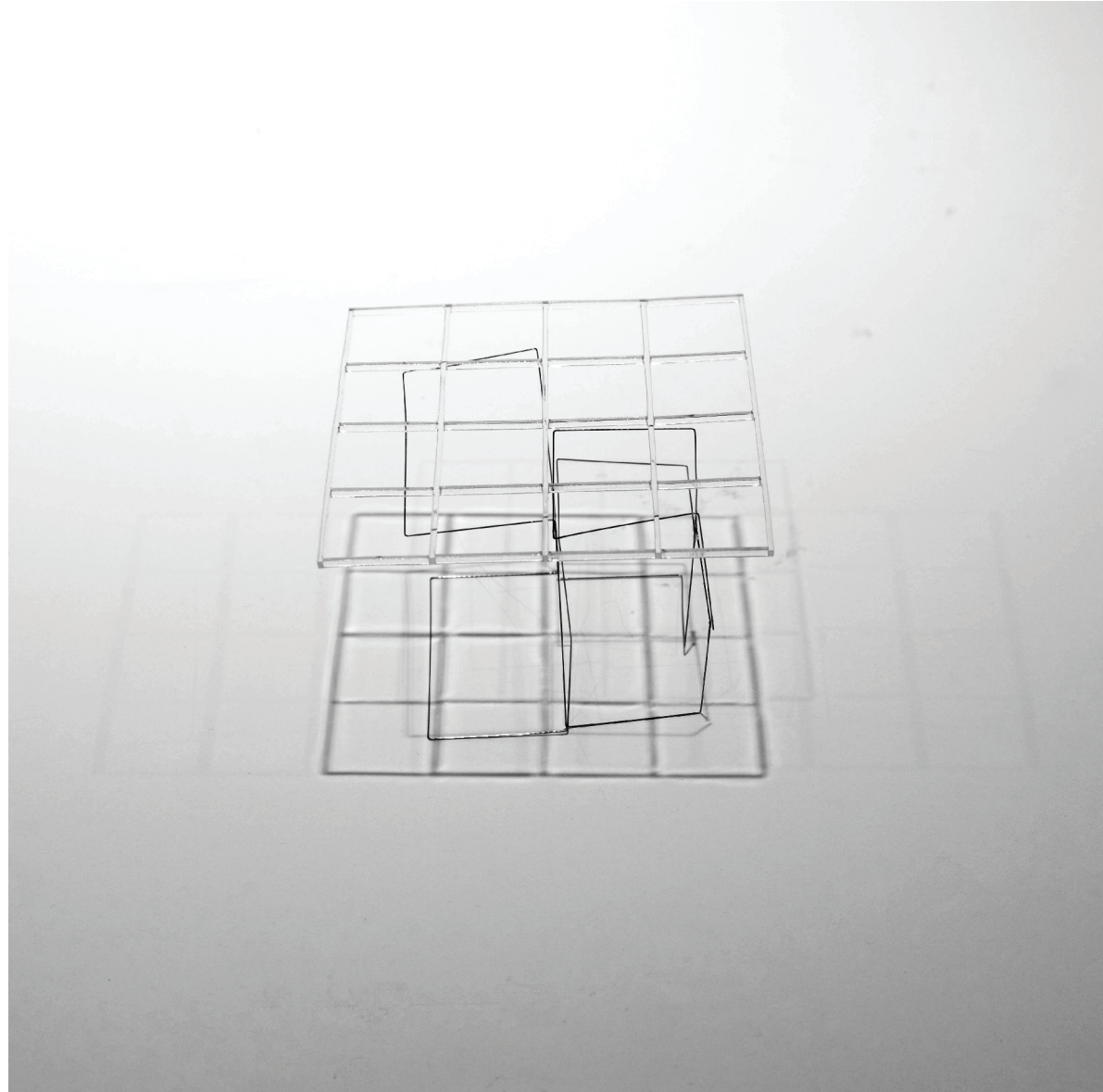
REGULAR



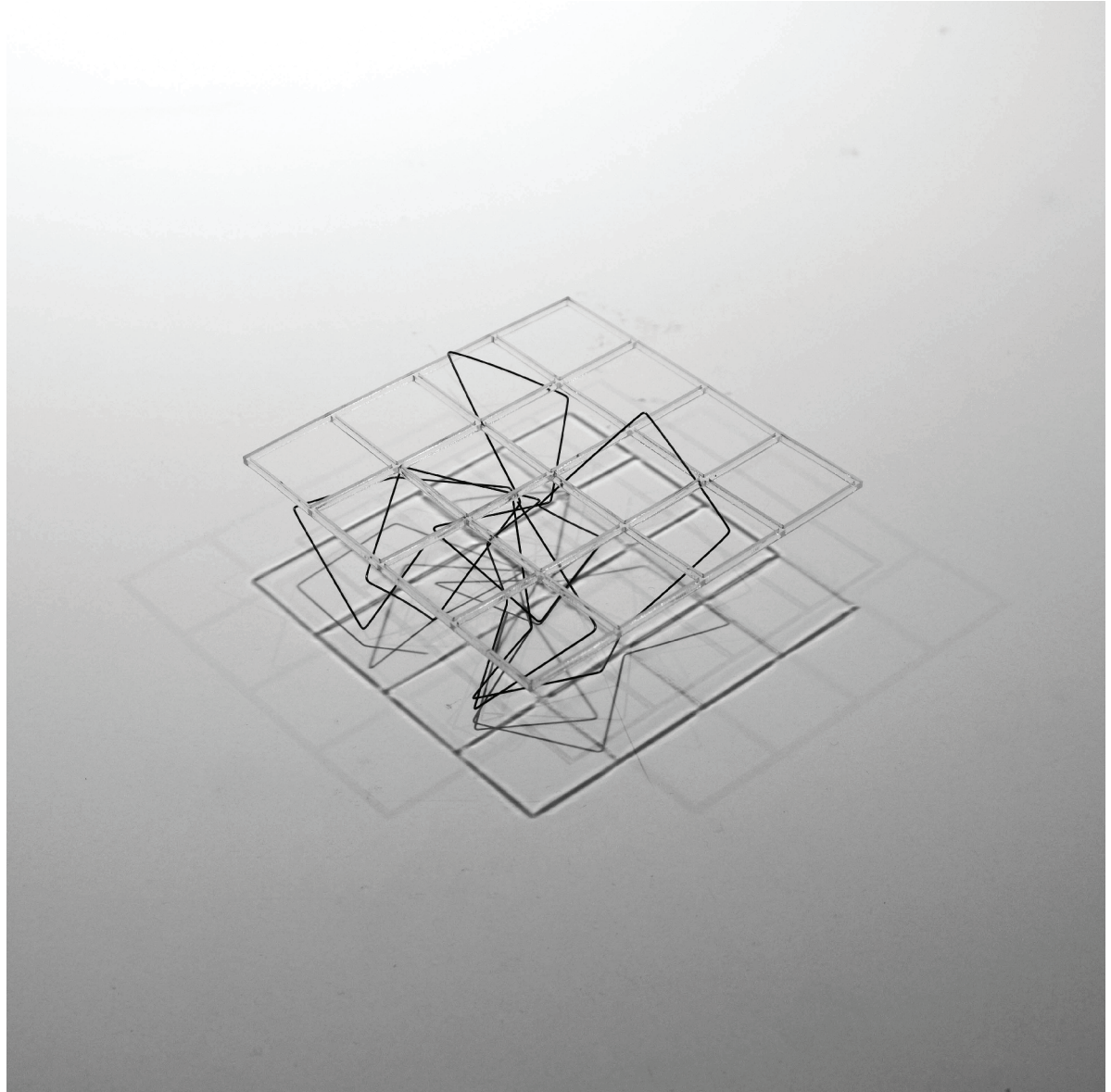
SPARSE

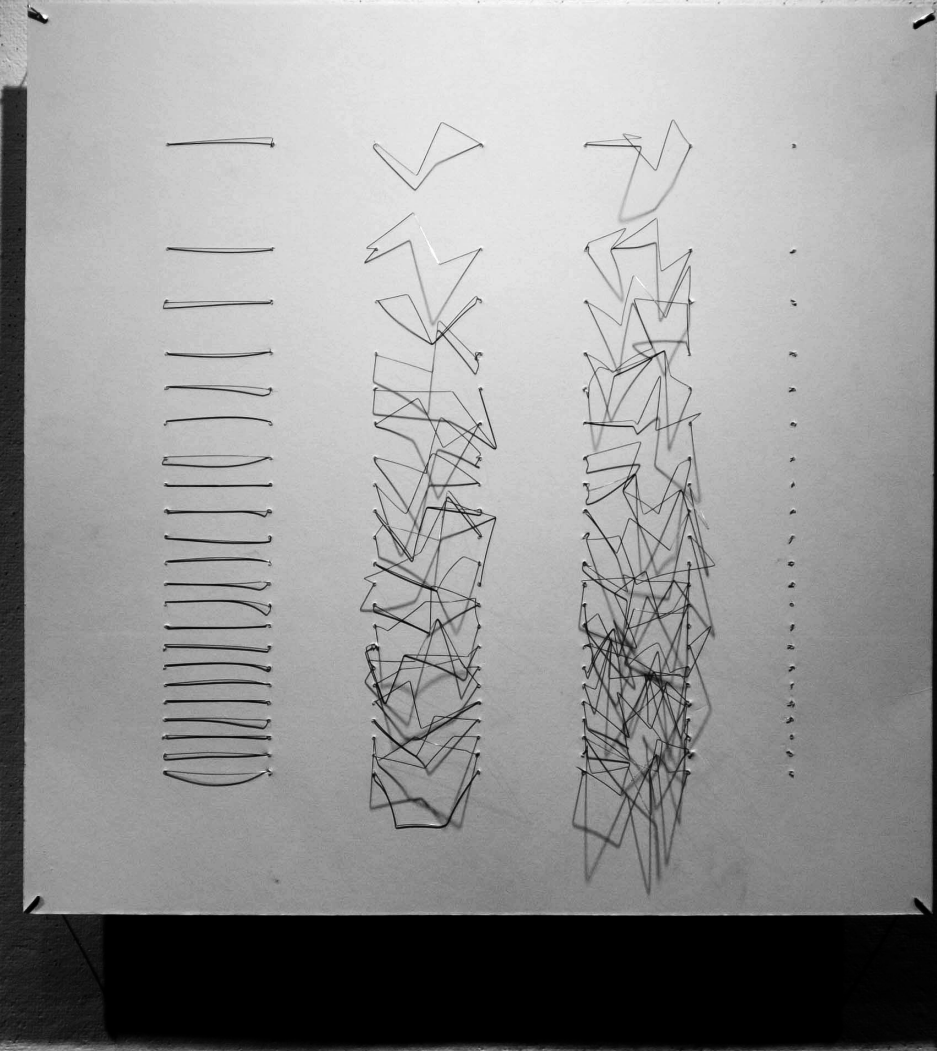


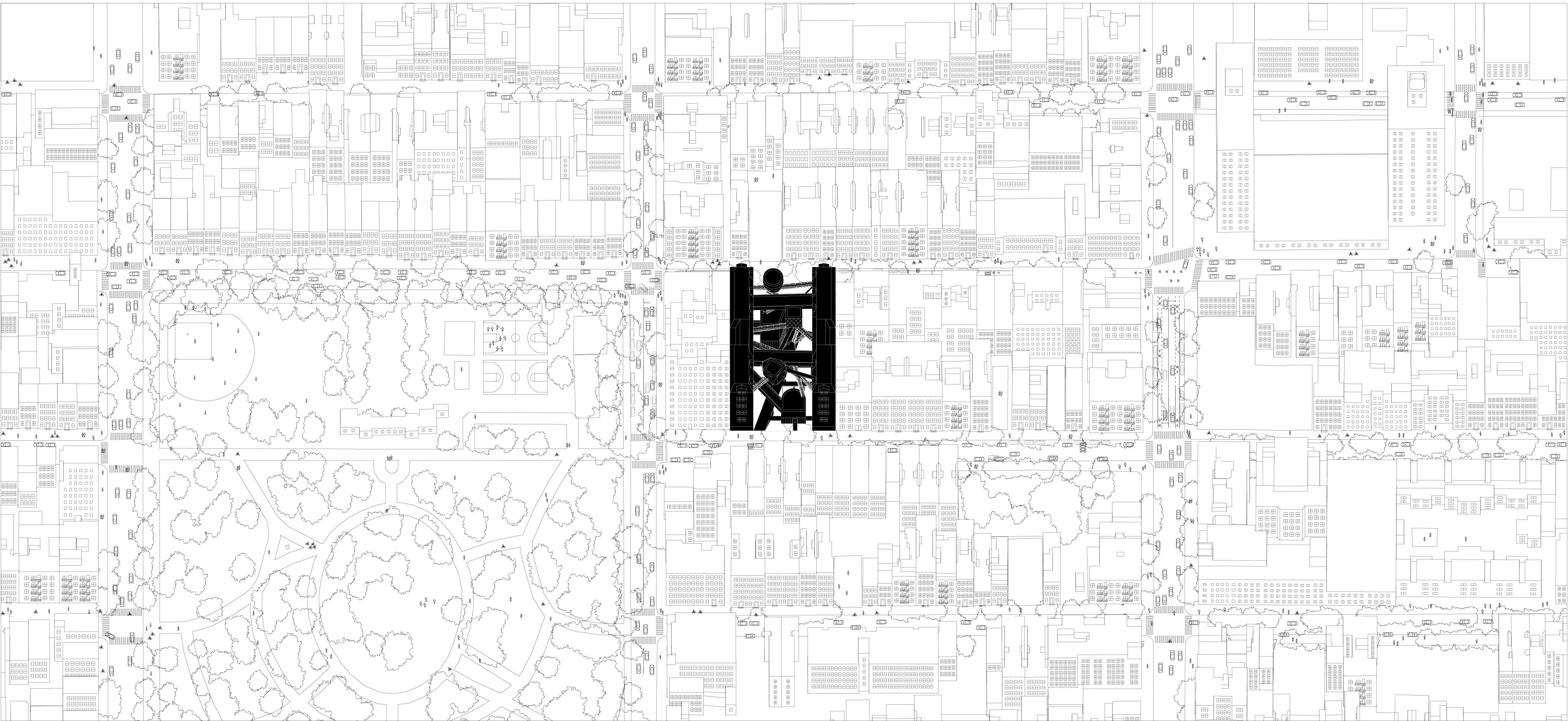
R
I
G
I
D

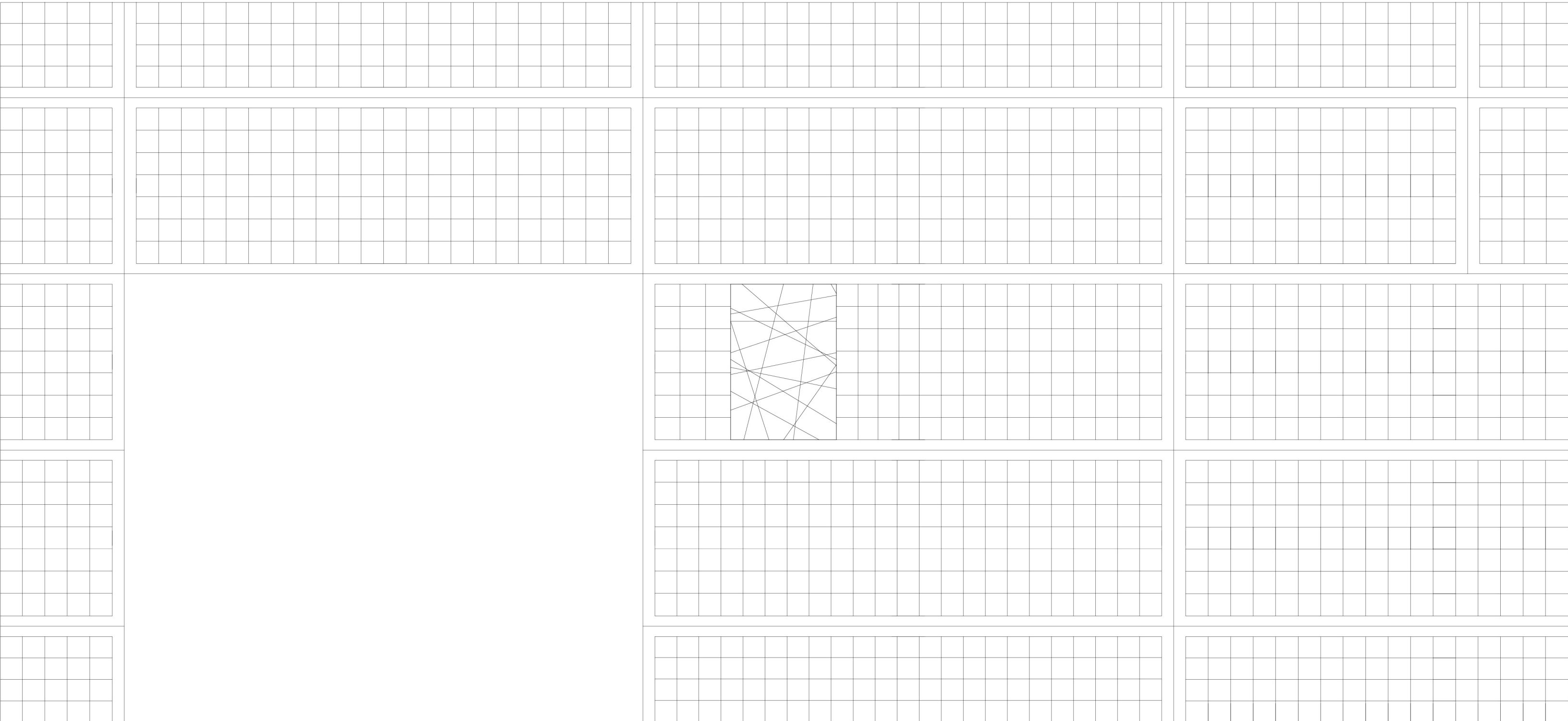


F
E
L
X
I
B
L
E



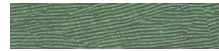








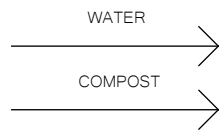
GROWTH



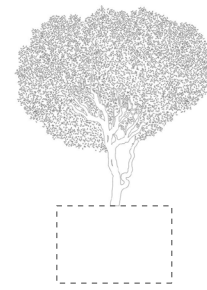
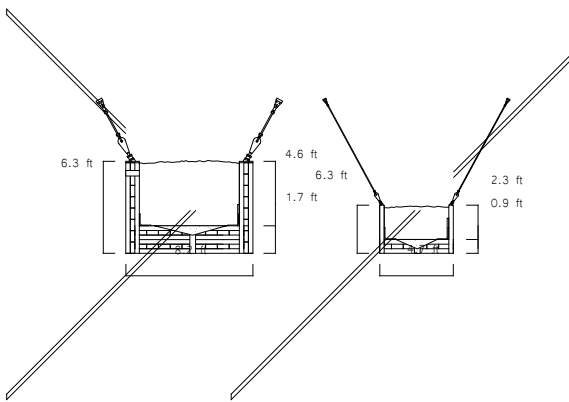
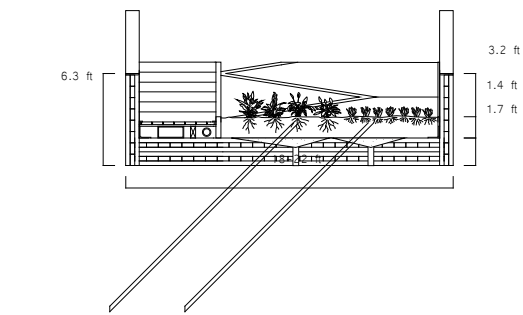
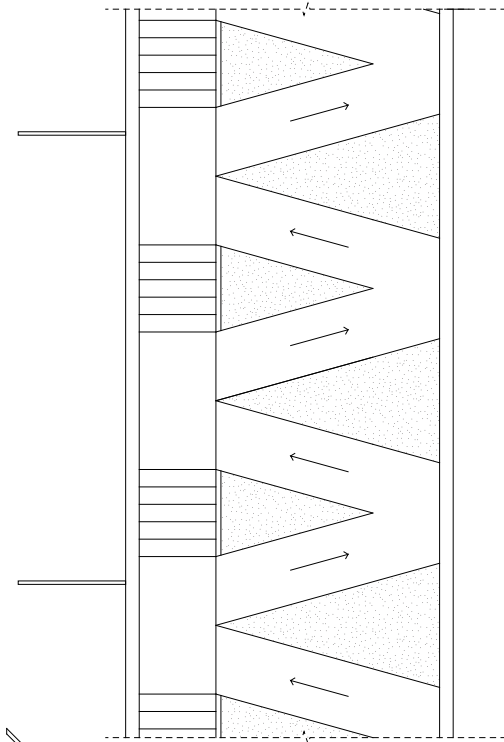
ILLUMINATION



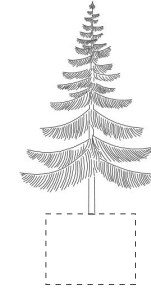
MECHANIZATION



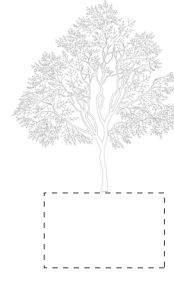
MOVEMENT



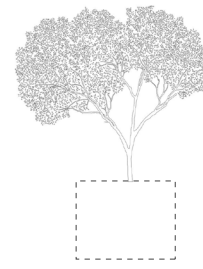
American Hornbeam
Full Sun - 4" Water



Red Pine
Full Sun - 4" Water



American Sycamore
Full Sun - 4" Water



Northern Red Oak
Full Sun - 4" Water



Chickweed
Full Sun - 4" Water



Alfalfa
Full Sun - 4" Water



Elderberry
Full Sun - 4" Water



Wood Sorel
Full Sun - 4" Water



Curly Dock
Full Sun - 4" Water



Toothwort
Full Sun - 4" Water



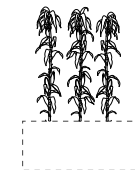
Broadleaf Plantain
Full Sun - 4" Water



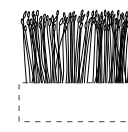
Wild Bee Balm
Full Sun - 4" Water



Garlic mustard
Full Sun - 4" Water



Corn
Full Sun
4" Water



Wheat
Full Sun
4" Water

AIR/ENVIRONMENTAL
QUALITY

HEALTH

FOOD FOR
THE COMMUNITY

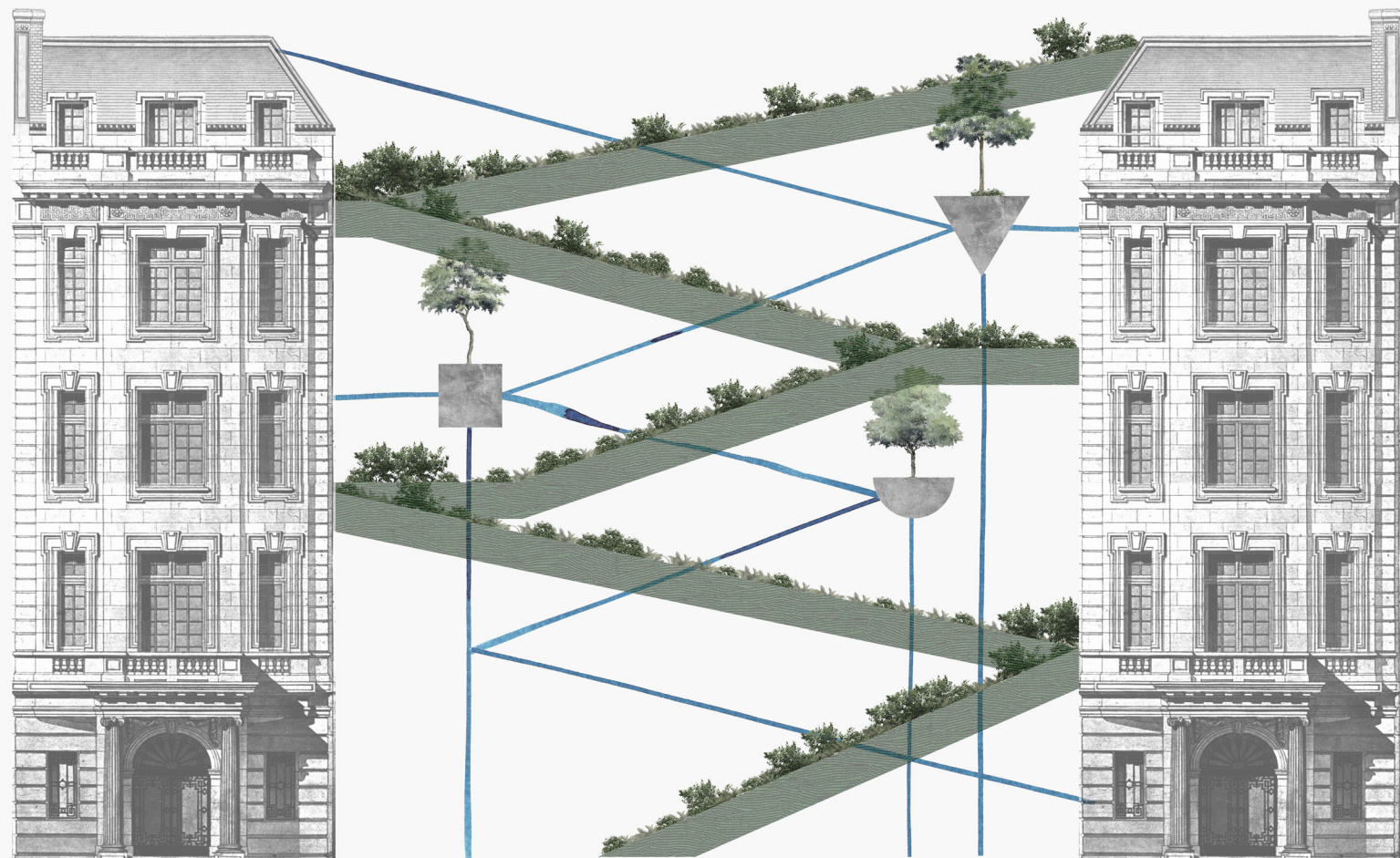
SUSTAINABILITY

NATIVE PLANT
SPECIES

CONSERVATION

GREEN
LEARNING
ENVIRONMENT

EDUCATION



MECHANIZATION



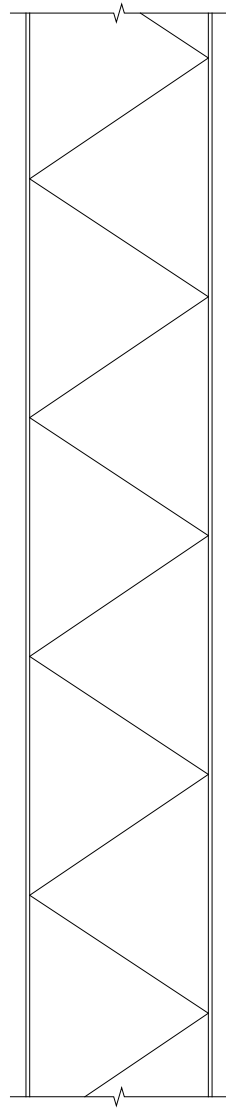
ILLUMINATION



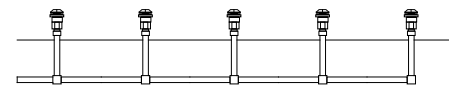
GROWTH



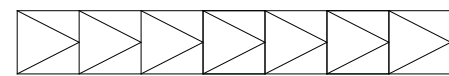
MOVEMENT



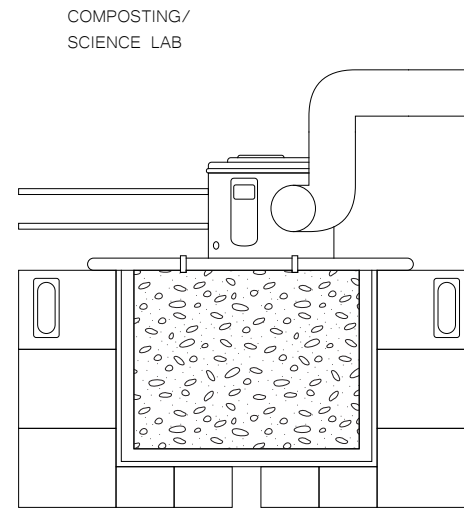
Irrigation



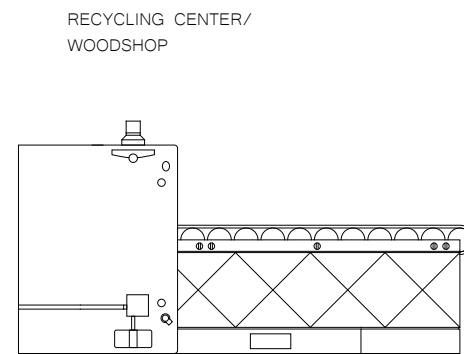
Irrigation



HVAC



COMPOSTING/
SCIENCE LAB



RECYCLING CENTER/
WOODSHOP



Trash Shute



Bio Shute



Water

CLEANER
ENVIRONMENT

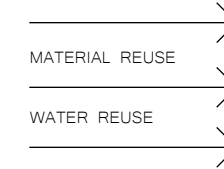


HEALTH

BIOMASS REUSE

MATERIAL REUSE

WATER REUSE

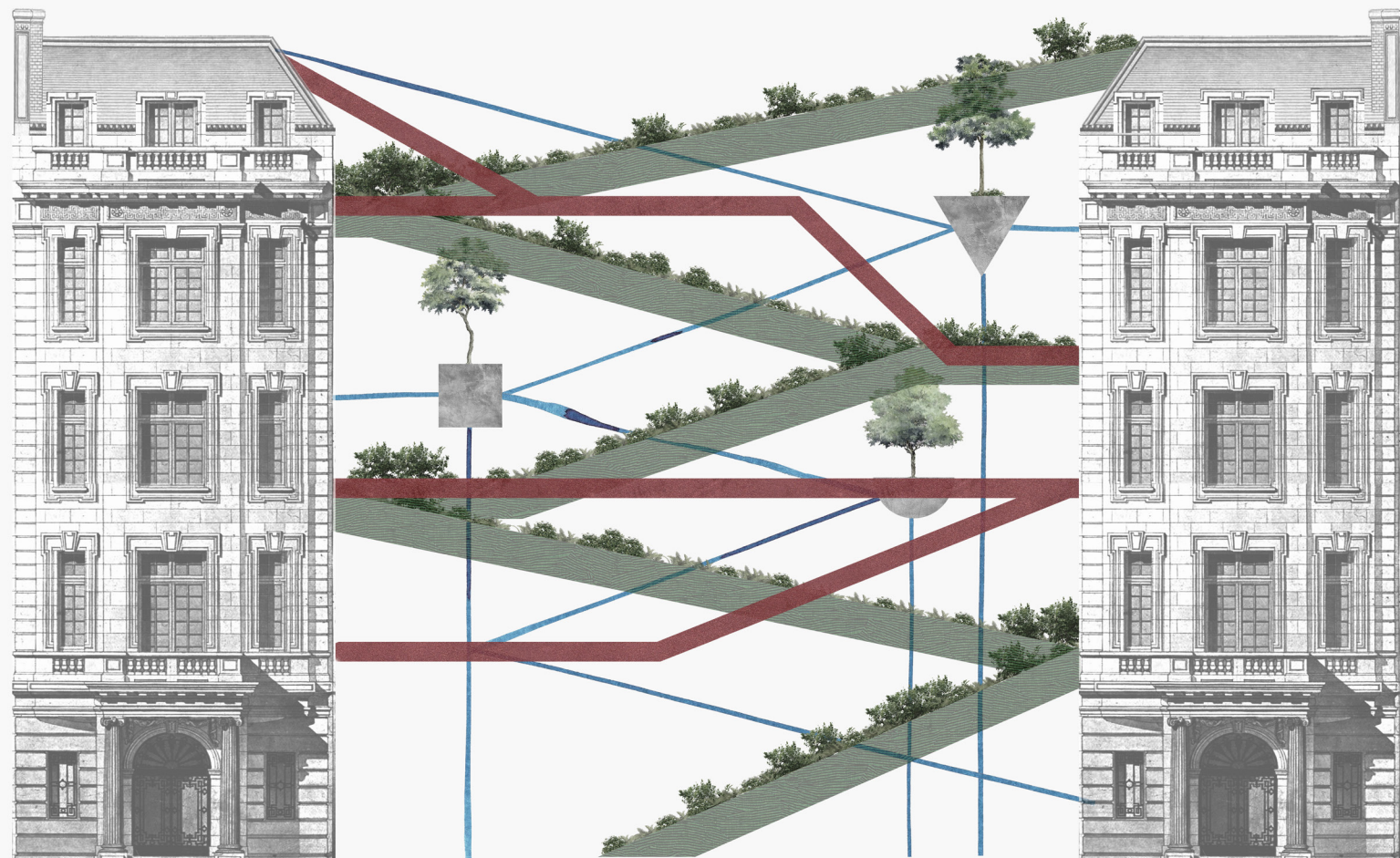


SUSTAINABILITY

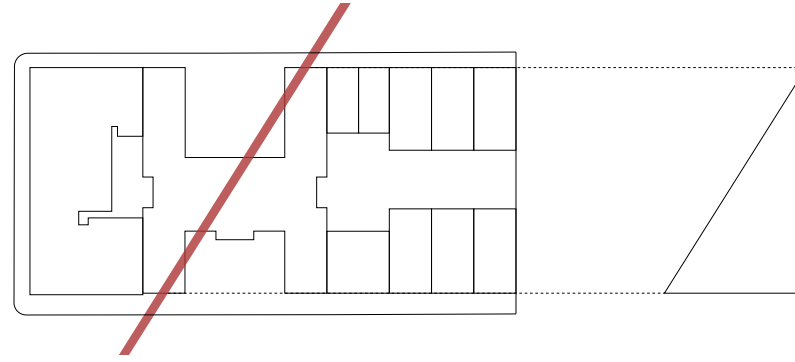
PARTICIPATION OF
STUDENTS IN
USE CYCLE



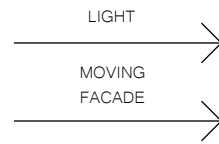
EDUCATION



MOVEMENT



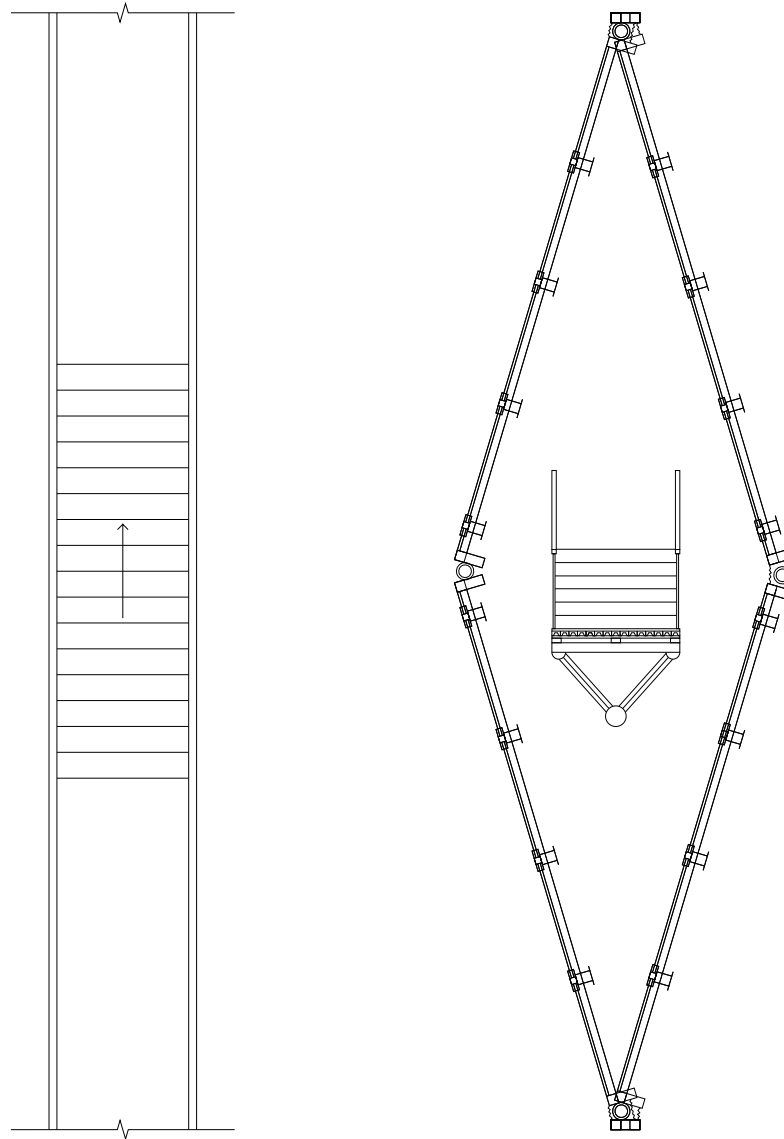
ILLUMINATION



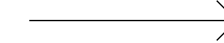
GROWTH



MECHANIZATION

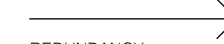


CUT
GRID



EFFICIENCY

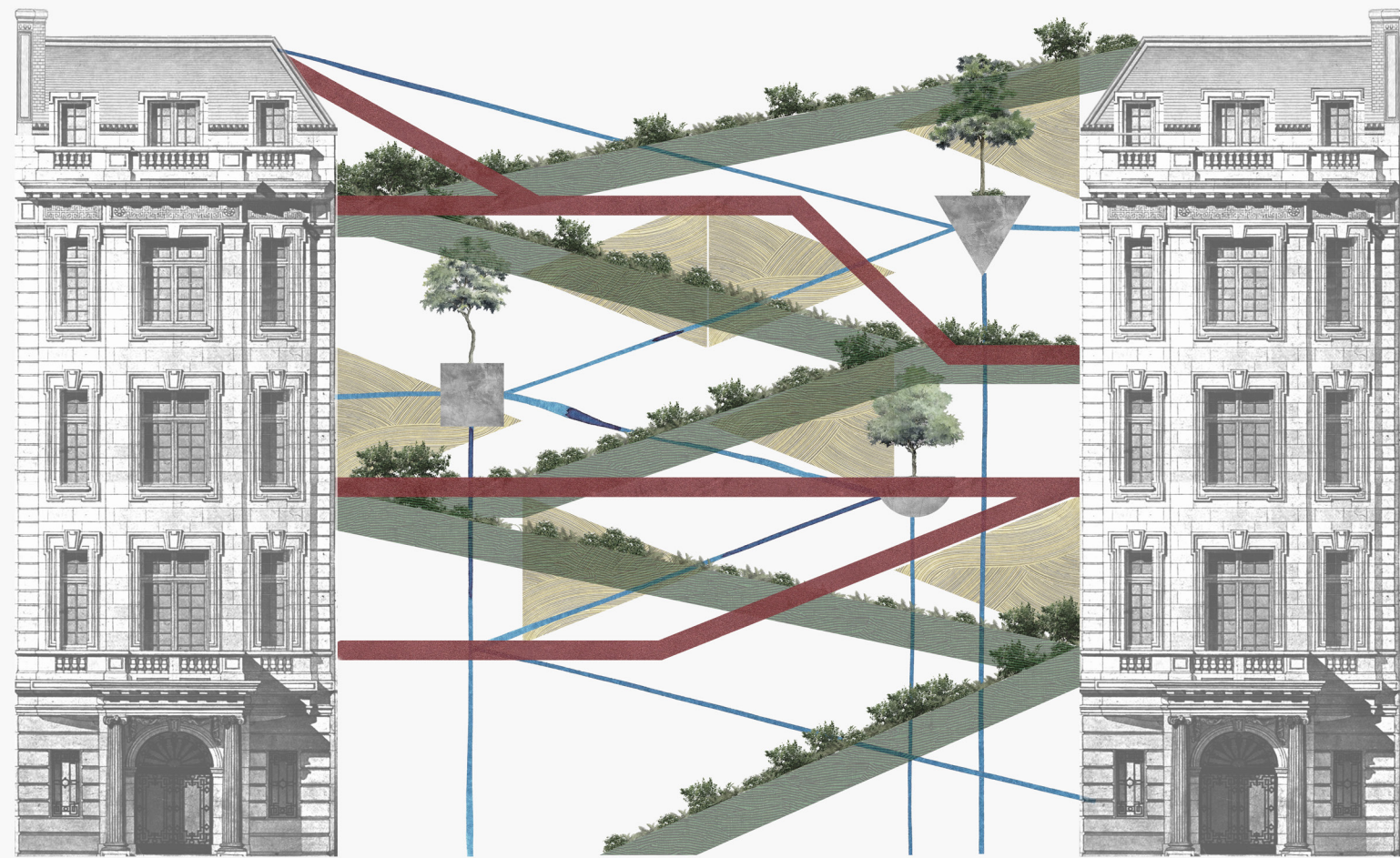
CHANGING
INTERIOR



REDUNDANCY



SERENDIPITY



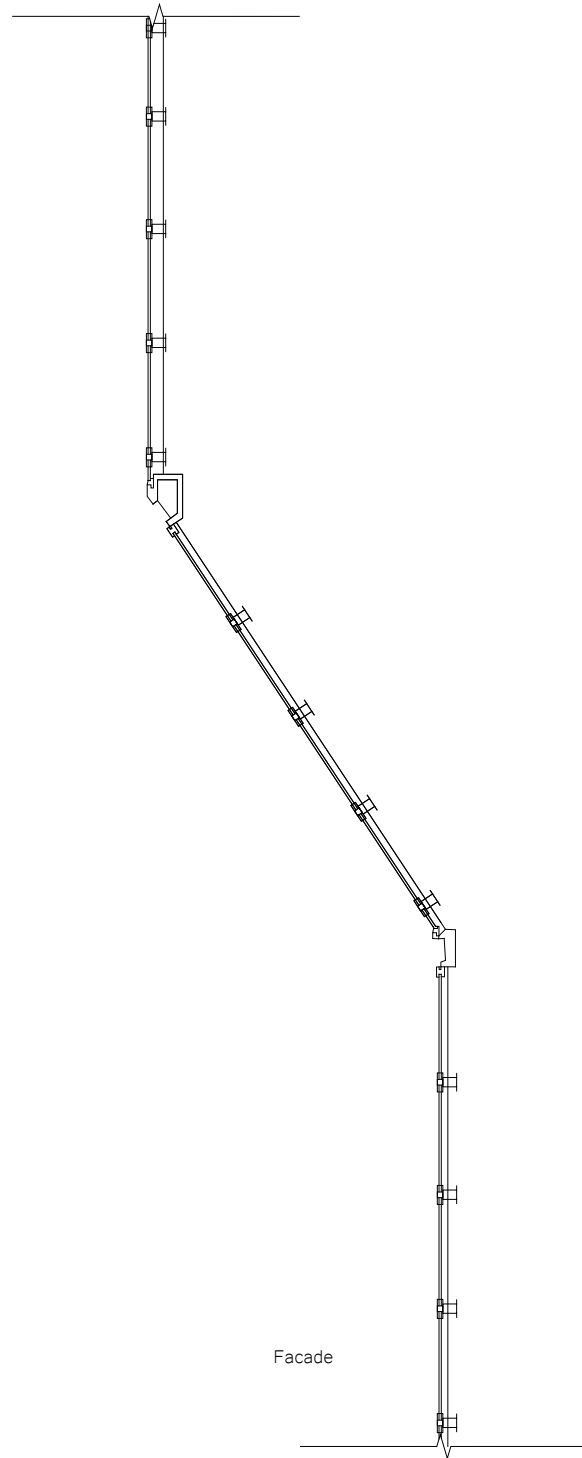
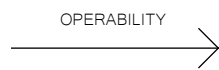
ILLUMINATION



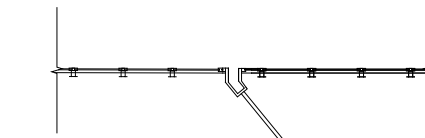
GROWTH

MECHANIZATION

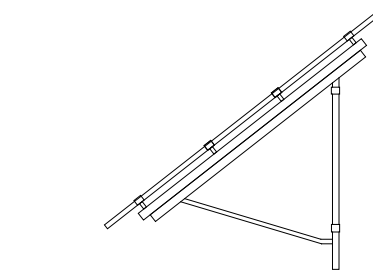
MOVEMENT



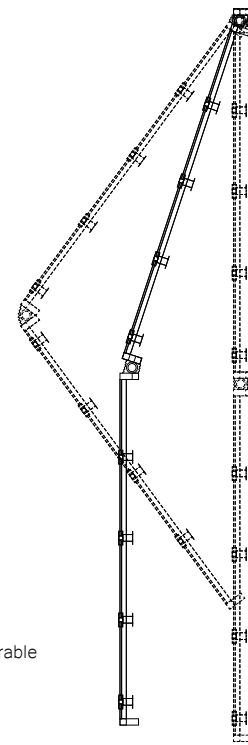
Facade



Rainwater Capture



Solar Panels



Operable Skin

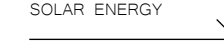
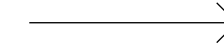
OPTIMIZED LIGHTING



HEALTH

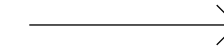
WATER REUSE

SOLAR ENERGY

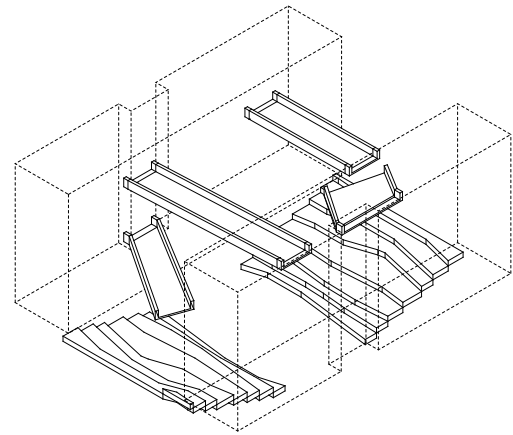


SUSTAINABILITY

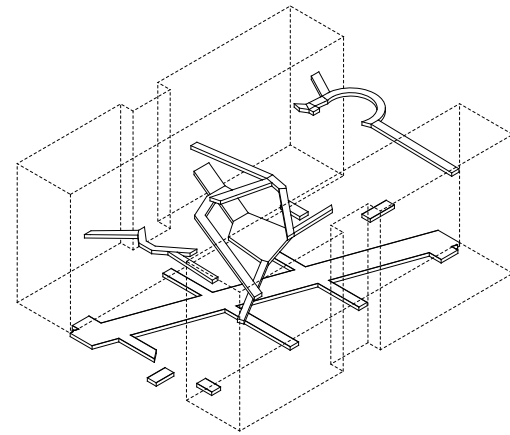
OPERABILITY



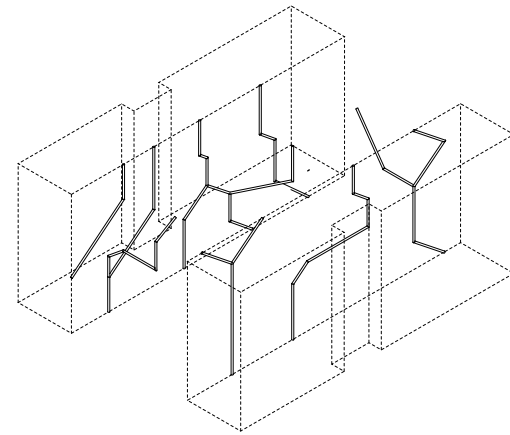
CLIMATE REACTIVE



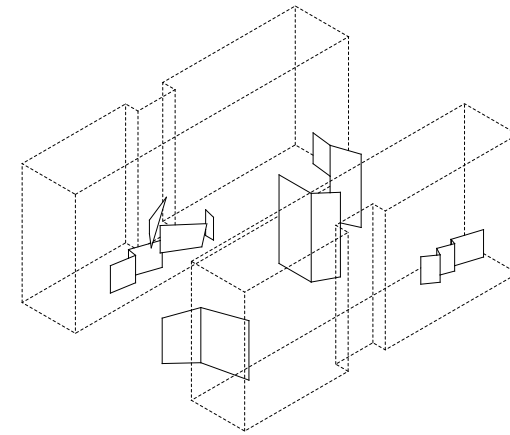
GROWTH



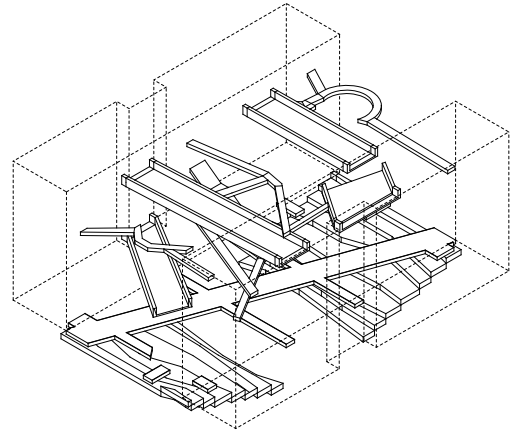
MOVEMENT



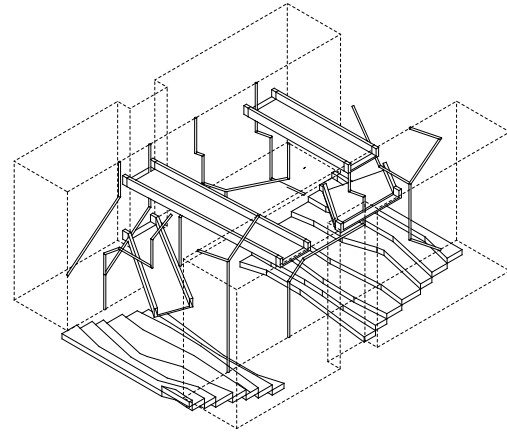
MECHANIZATION



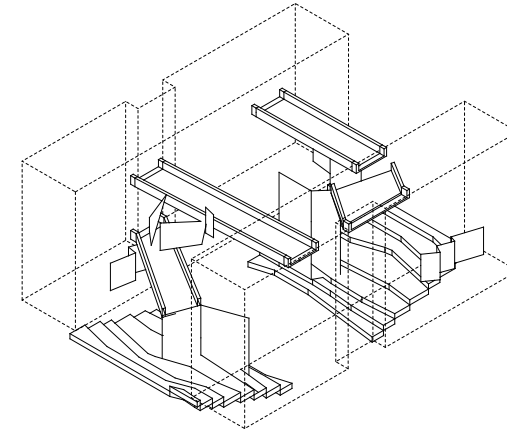
ILLUMINATION



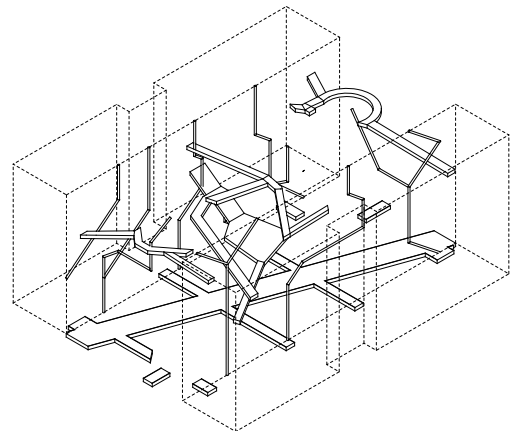
GROWTH
+MOVEMENT



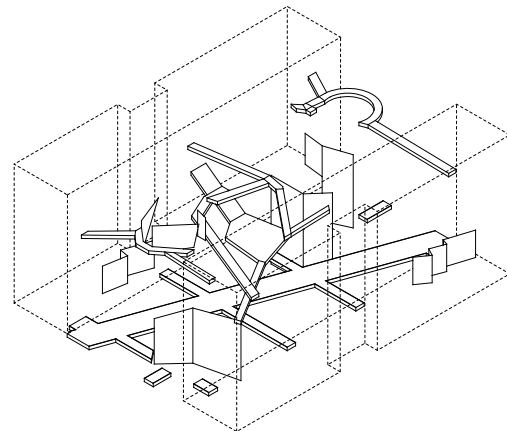
GROWTH
+MECHANIZATION



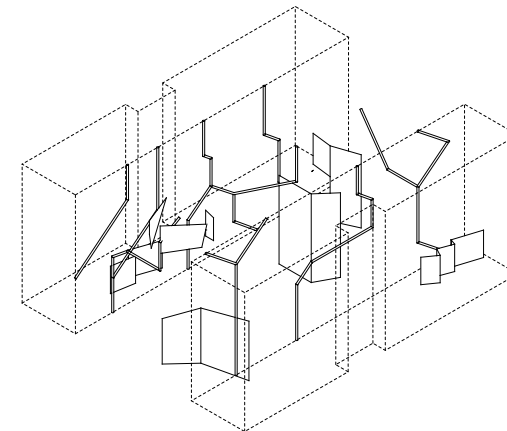
GROWTH
+ILLUMINATION



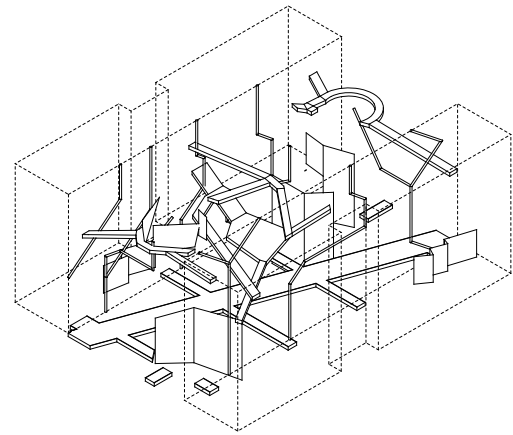
MOVEMENT
+MECHANIZATION



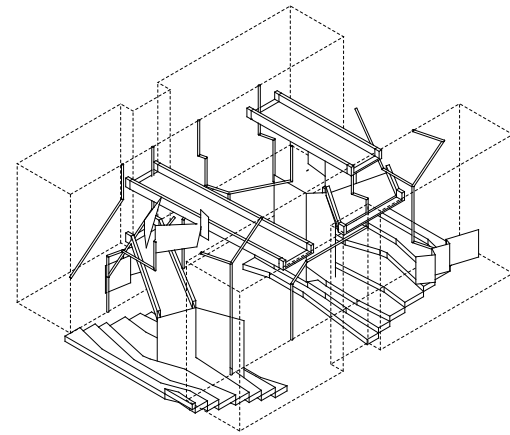
MOVEMENT
+ILLUMINATION



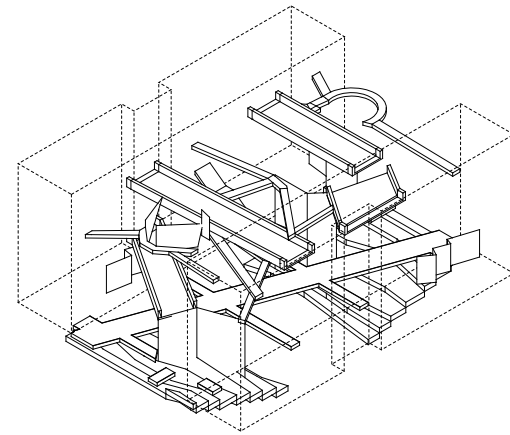
MECHANIZATION
+ILLUMINATION



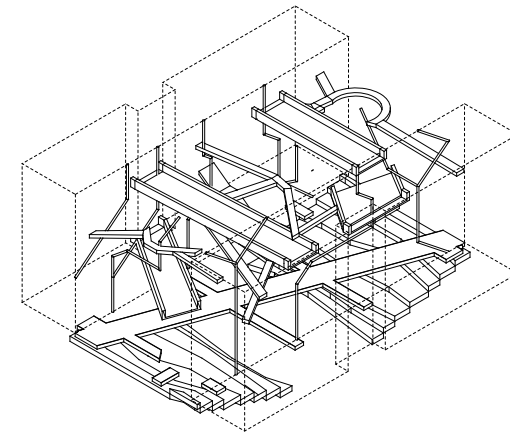
MOVEMENT
+MECHANIZATION
+ILLUMINATION



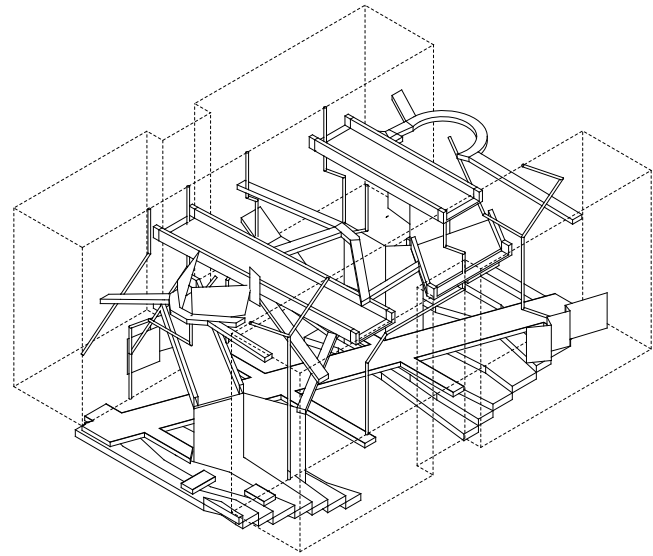
GROWTH
+MECHANIZATION
+ILLUMINATION



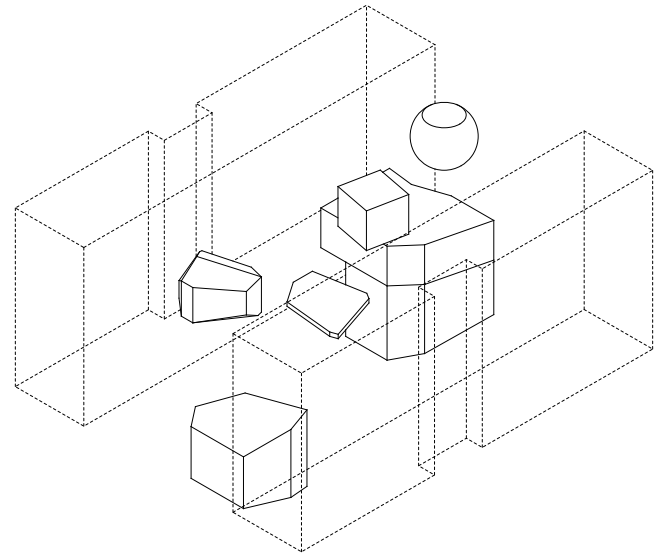
GROWTH
+MOVEMENT
+ILLUMINATION



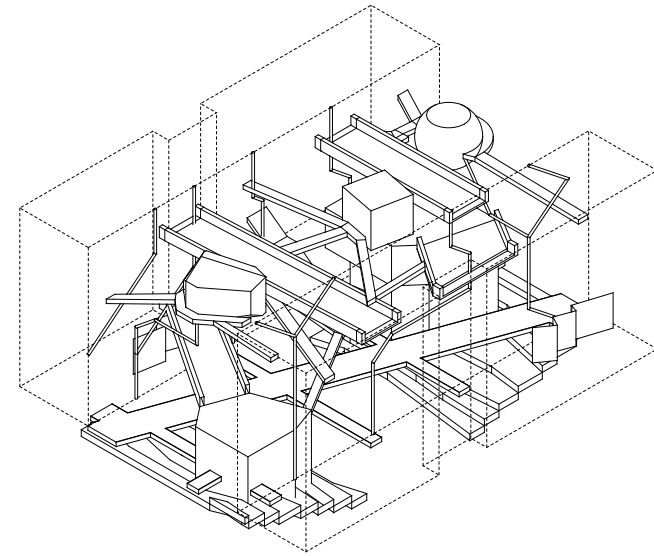
GROWTH
+MOVEMENT
+MECHANIZATION



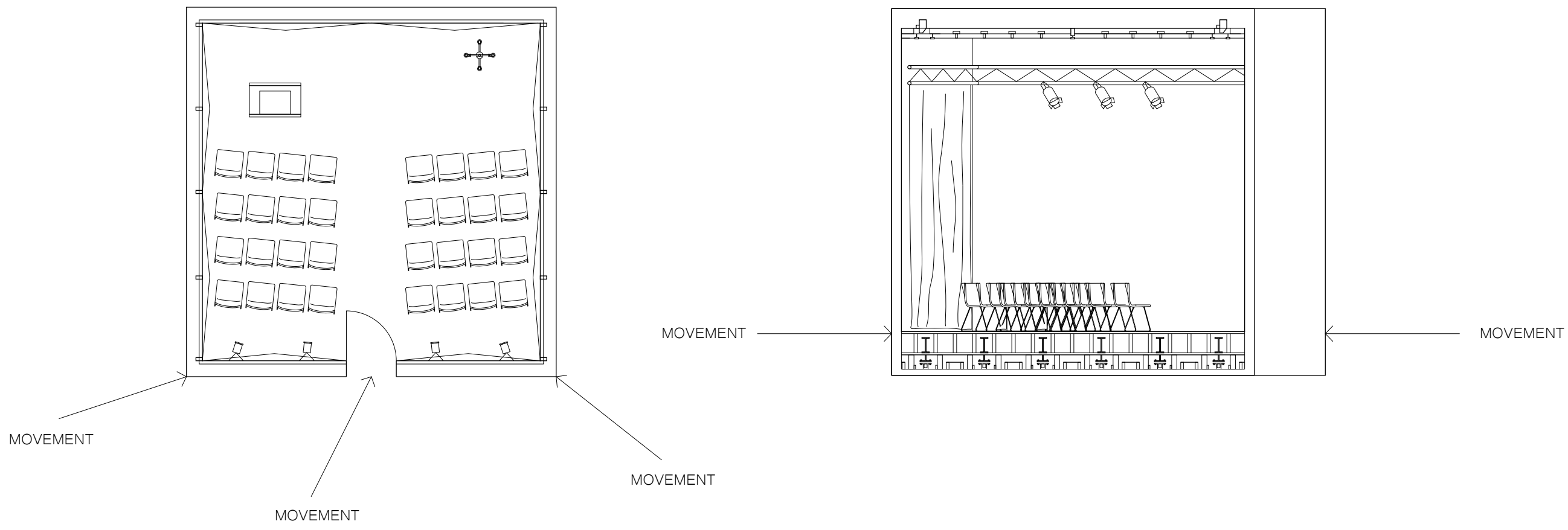
GROWTH
+MOVEMENT
+MECHANIZATION
+ILLUMINATION

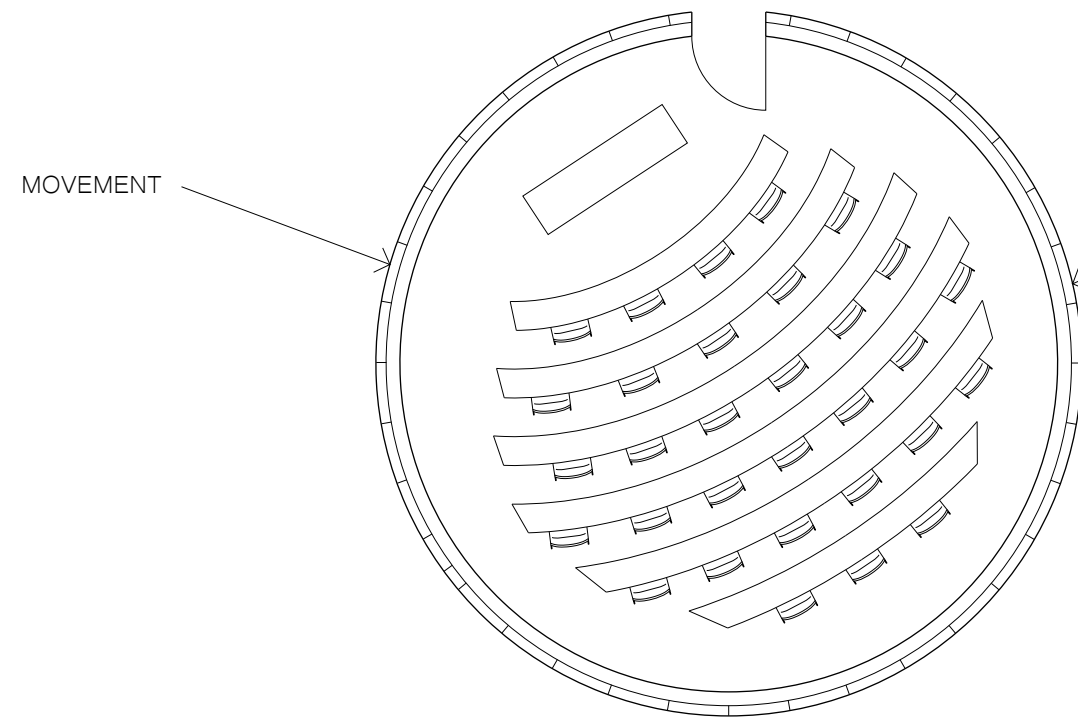


= NODES

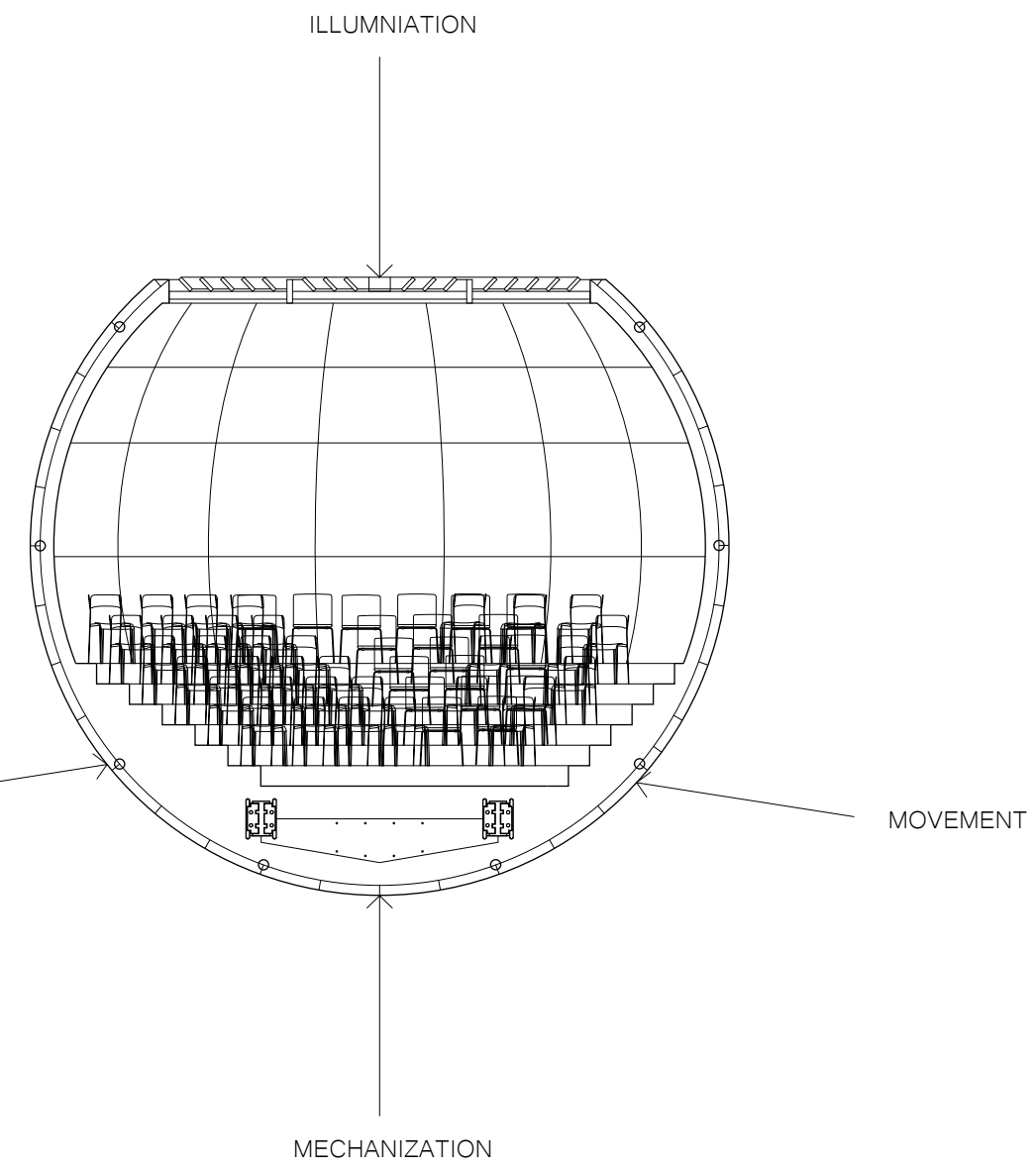


+GROWTH
+MOVEMENT
+MECHANIZATION
+ILLUMINATION
=NODES





MOVEMENT

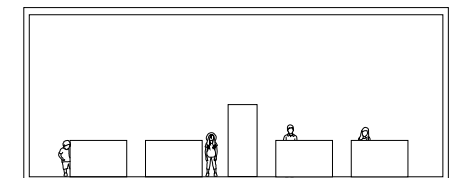
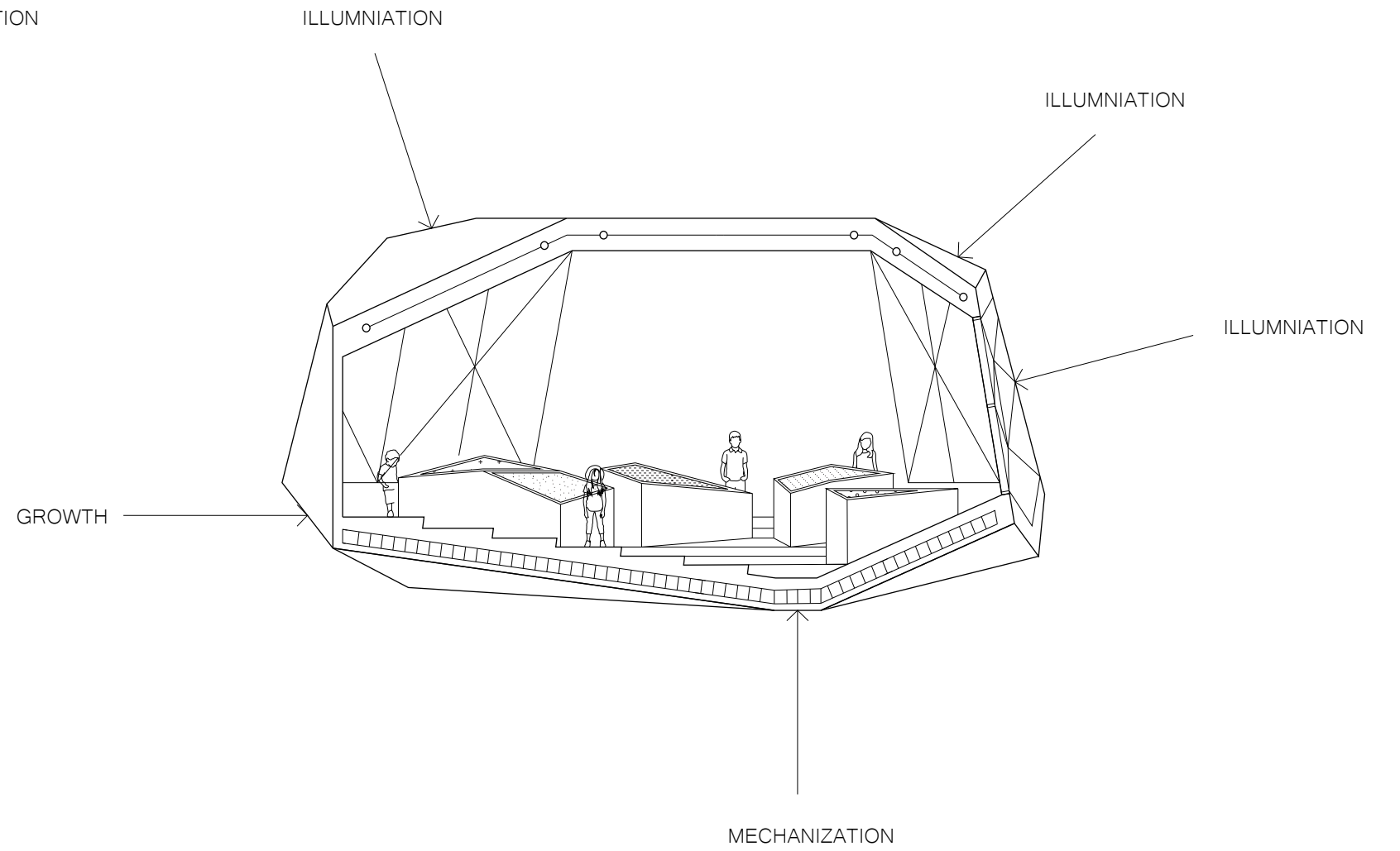
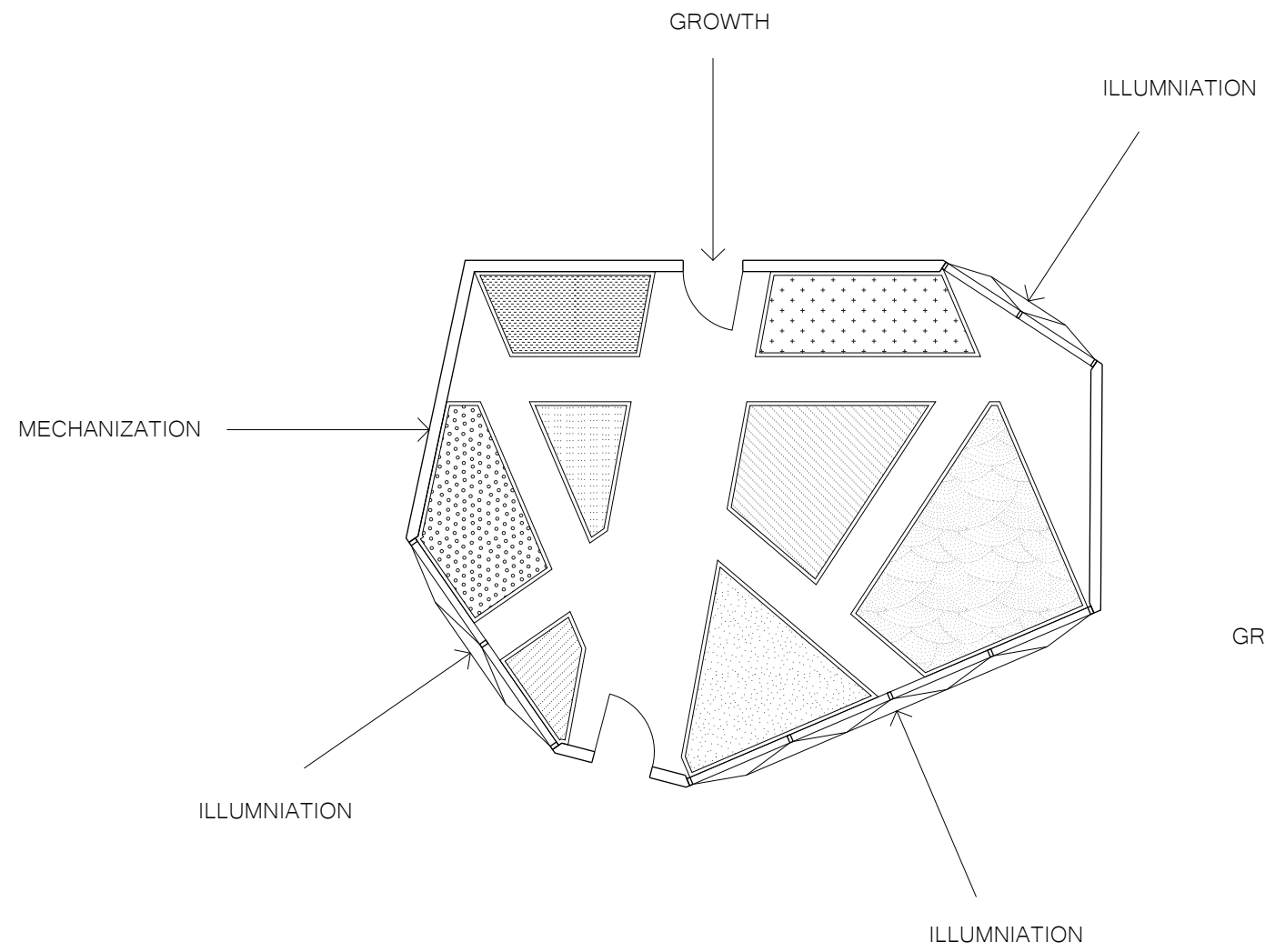


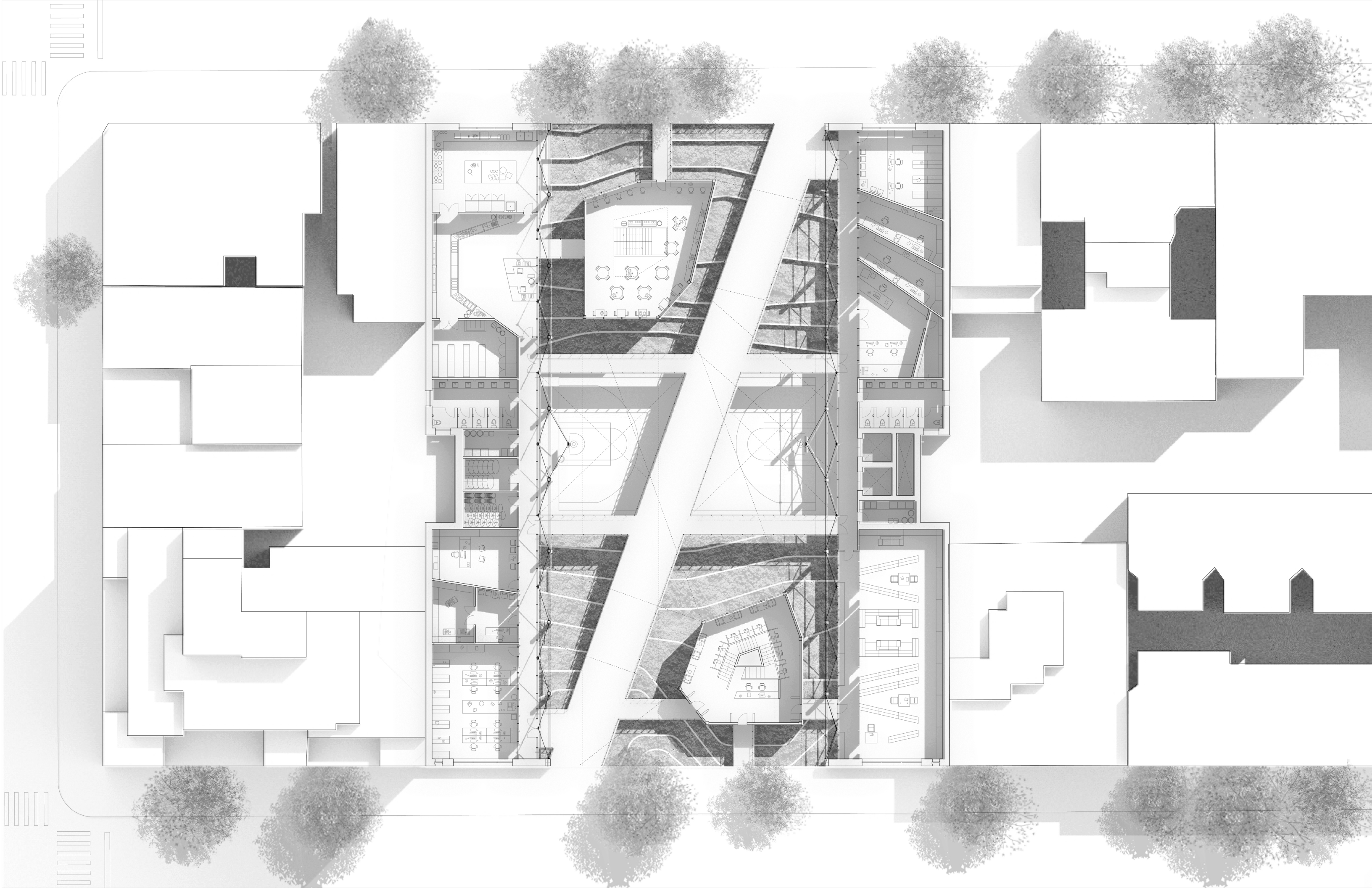
ILLUMINATION

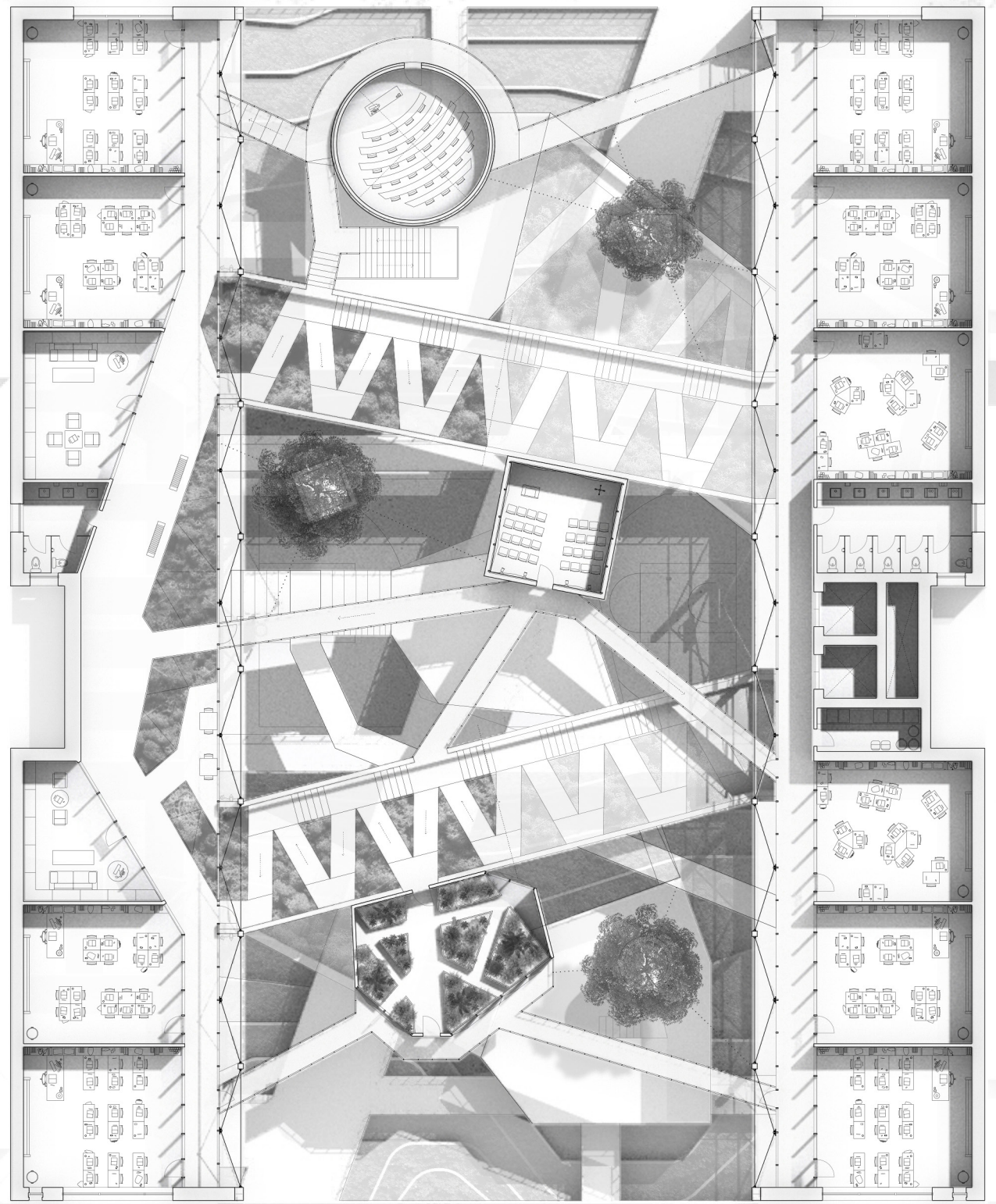
MOVEMENT

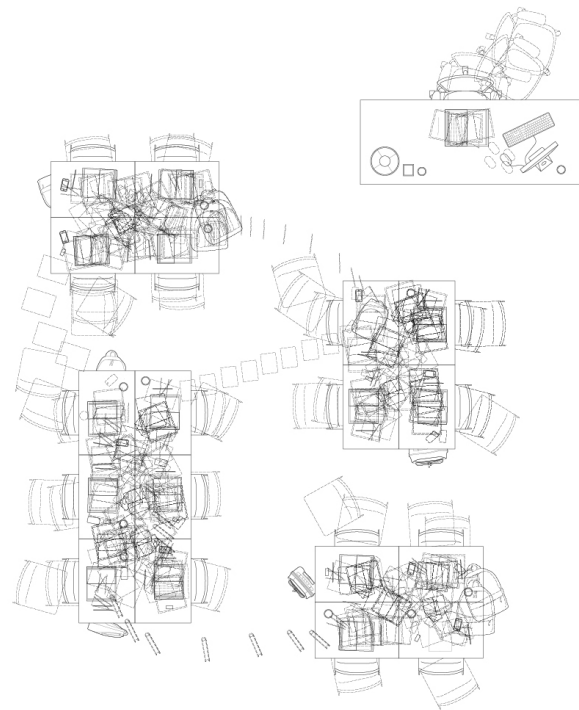
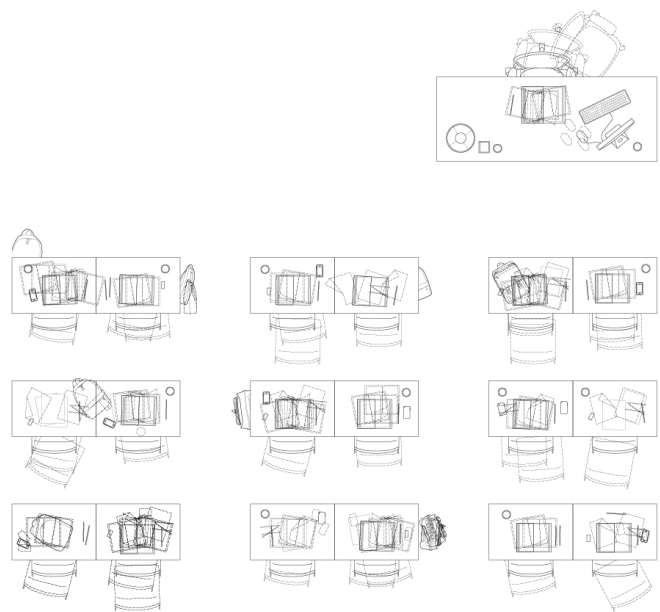
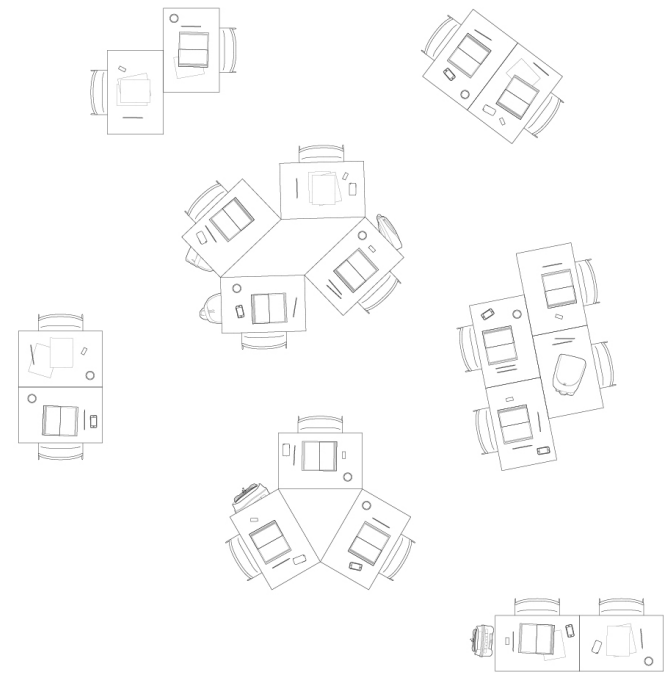
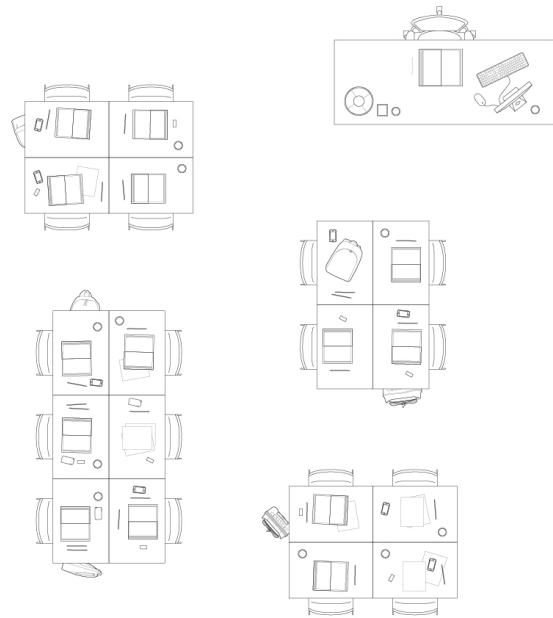
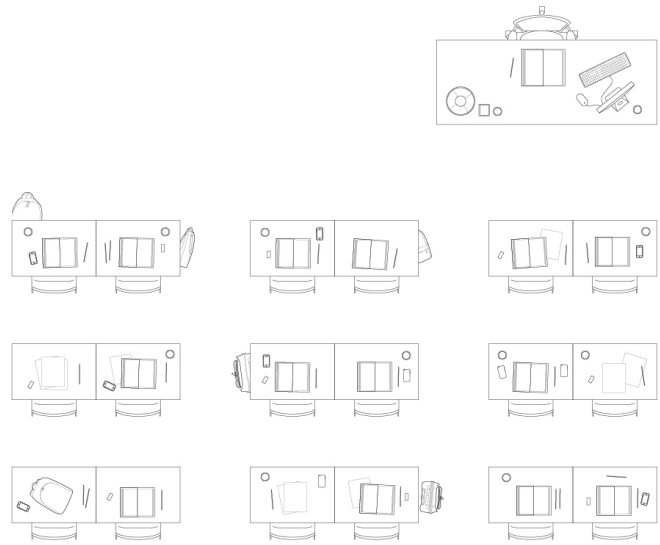
MOVEMENT

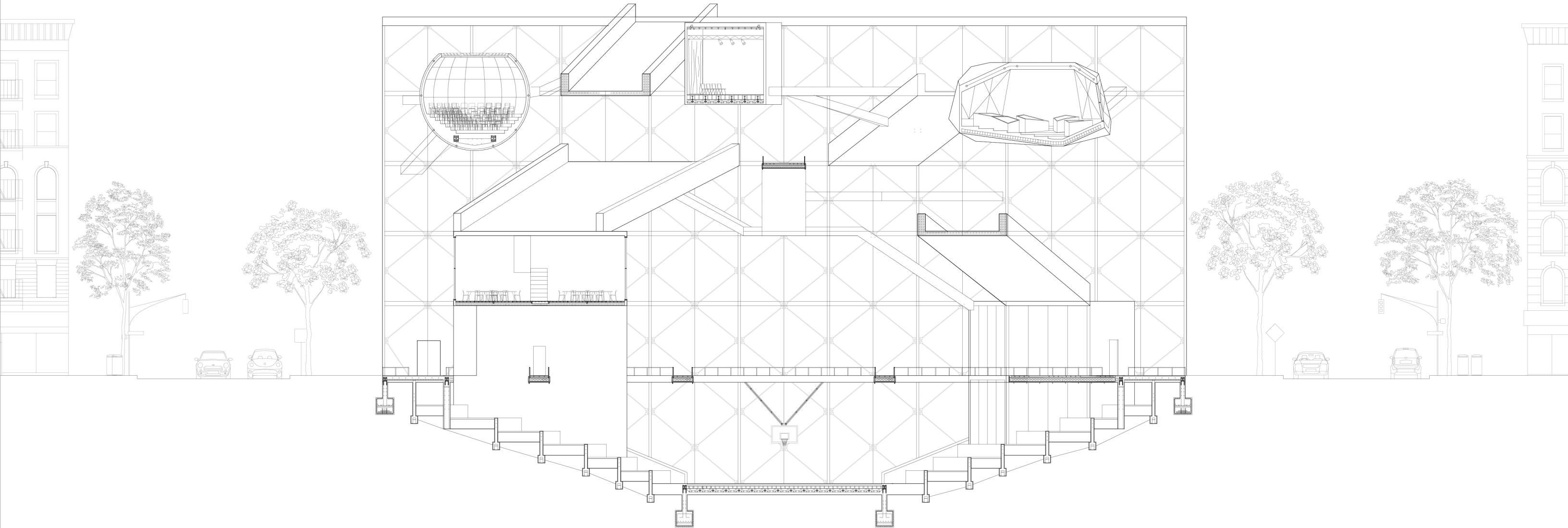
MECHANIZATION

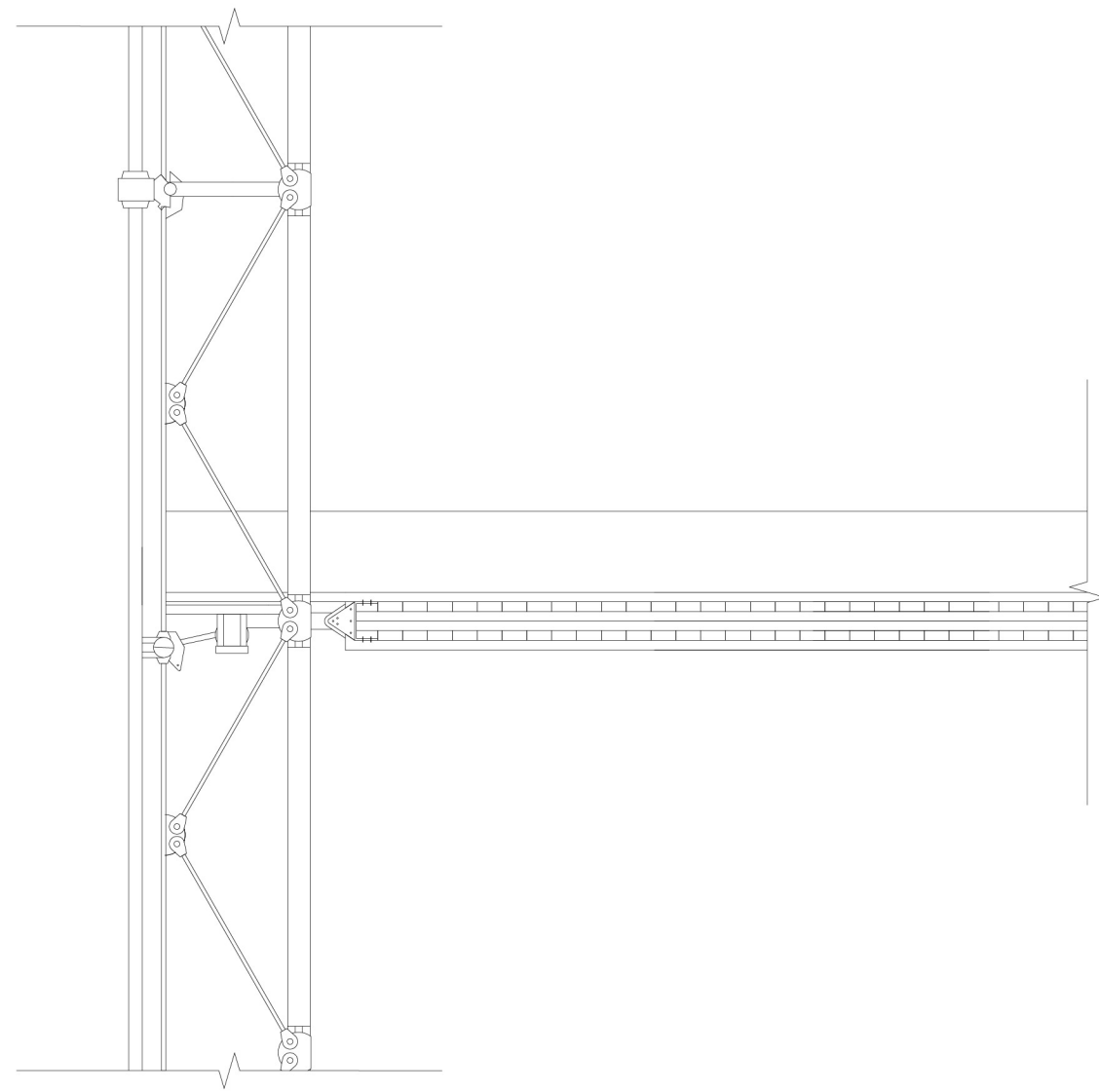
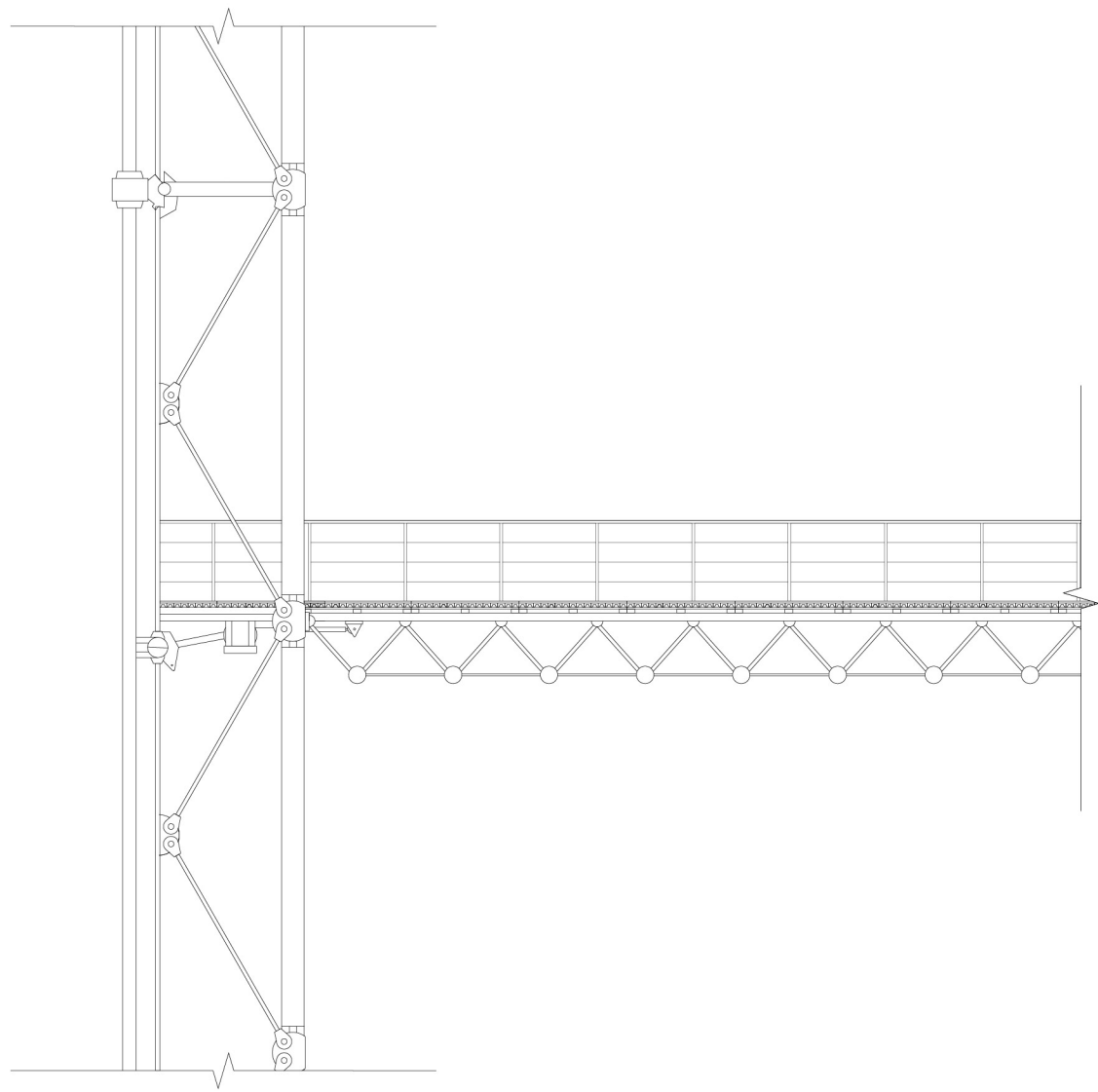


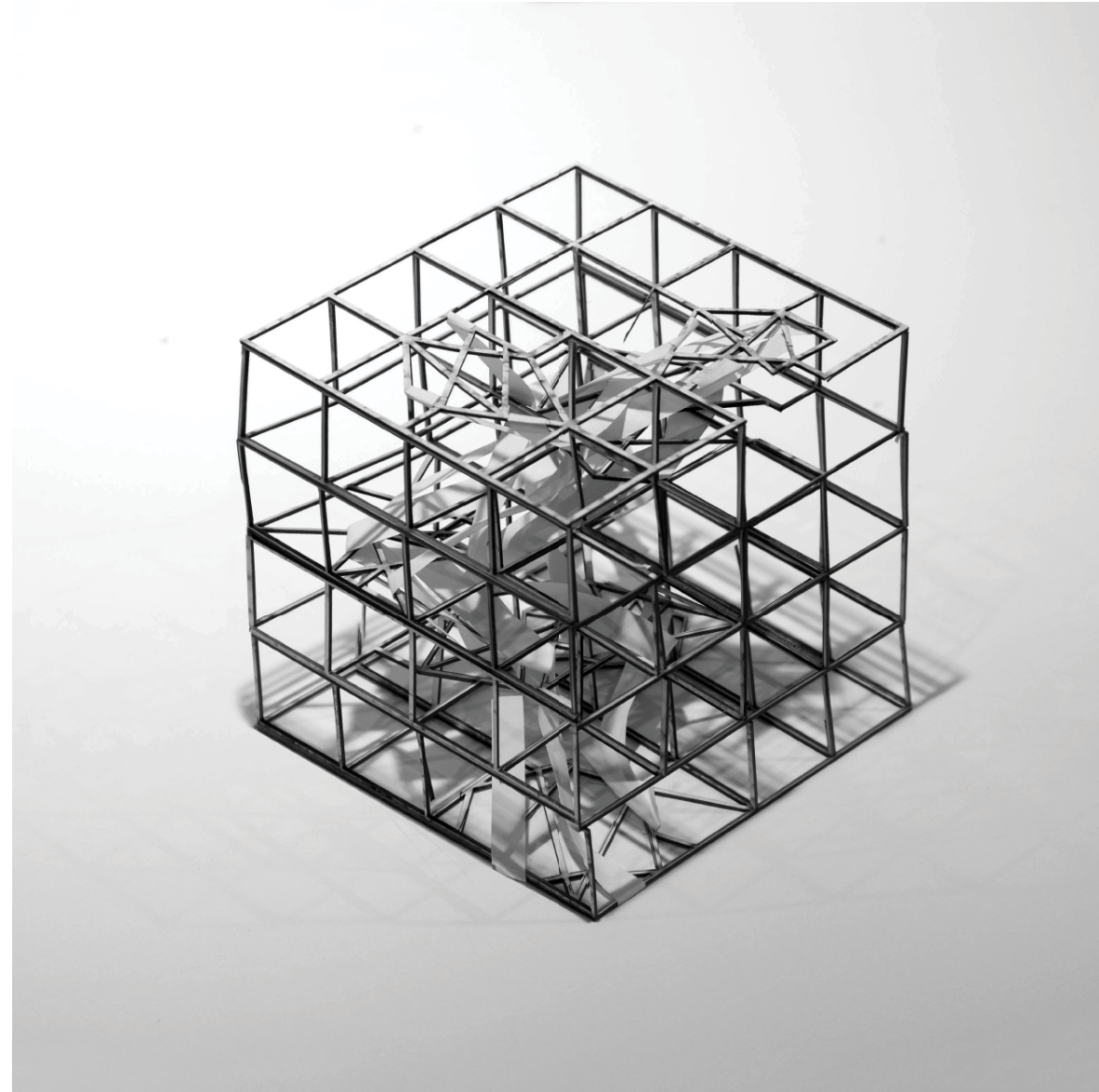












THE END