

FLOWER IN THE WIND: Agnes Martin  
Marc Francl

## PROJECT OUTLINE:

This facade, based on Agnes Martin's Flower In The Wind is designed for use on a flagship retail store in New York City. The facade interprets Agnes' painting into a matrix of sun shades that sheaths the entirety of the building's glazed facade, the majority of which faces south.

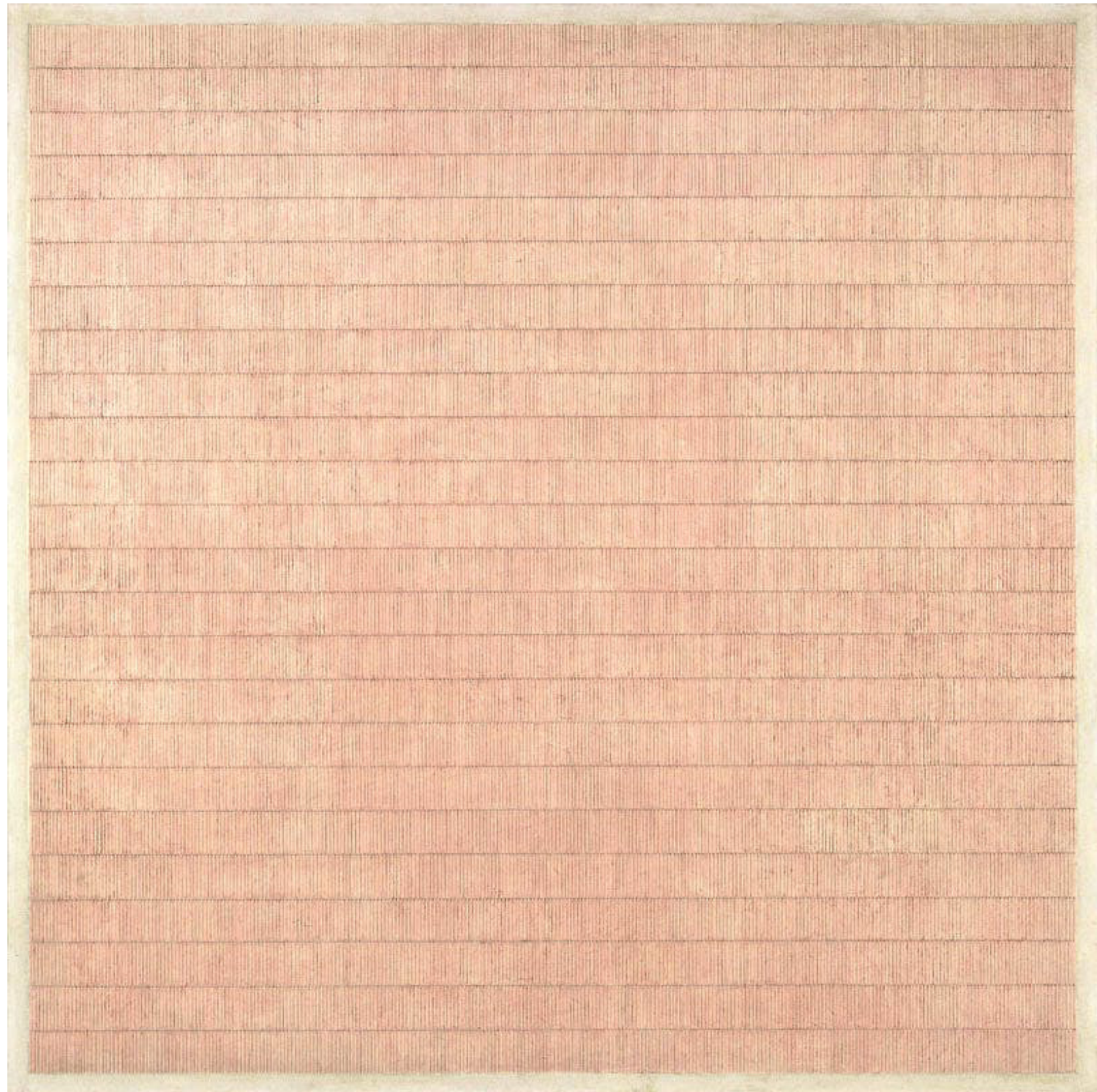
The sun shade matrix acts to protect the building interior from taking on too much heat from sunlight but also has a second more spectacular function. The vertical spindles that make up the matrix are able to spin independently on their vertical axis when the wind blows across the facade. The lightness and fragility of the painting as well as its name were central inspiration for this system that reacts to its environment. The spindles, that are made of reflective aluminum and painted various colors, will spin in the wind, casting reflections into the building and across the street where the building is located. As such, the facade improves the building's thermal performance but also attracts customers to the store and creates a brand identity.

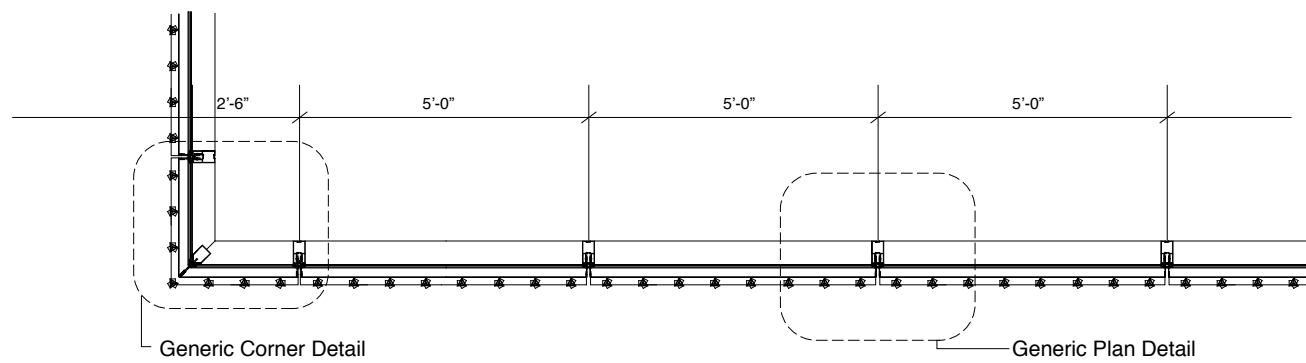
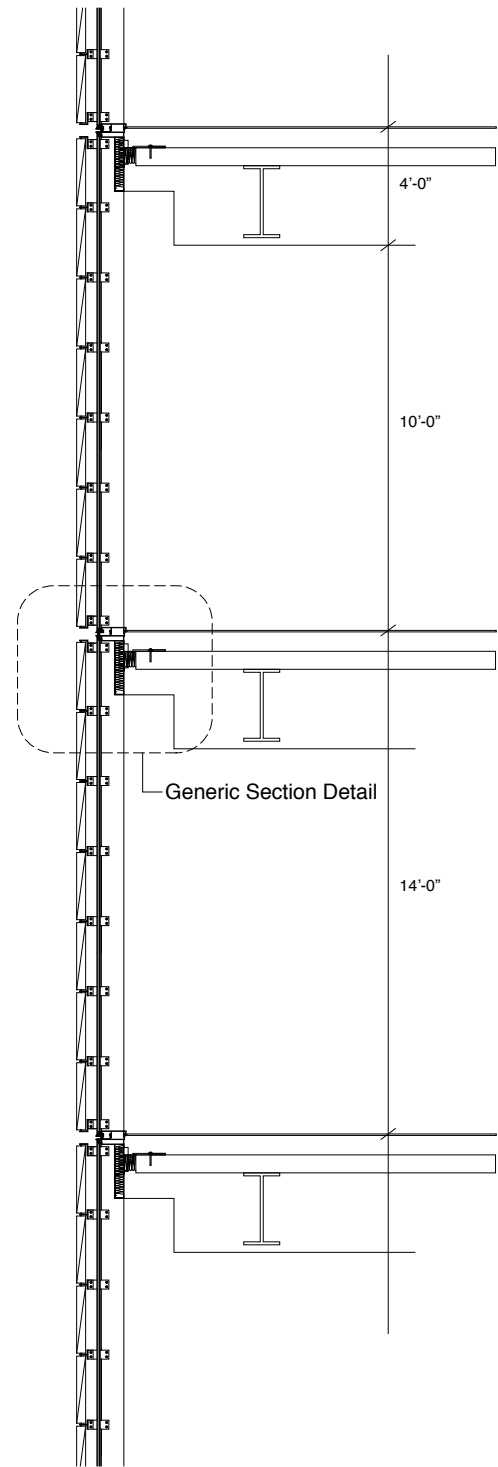
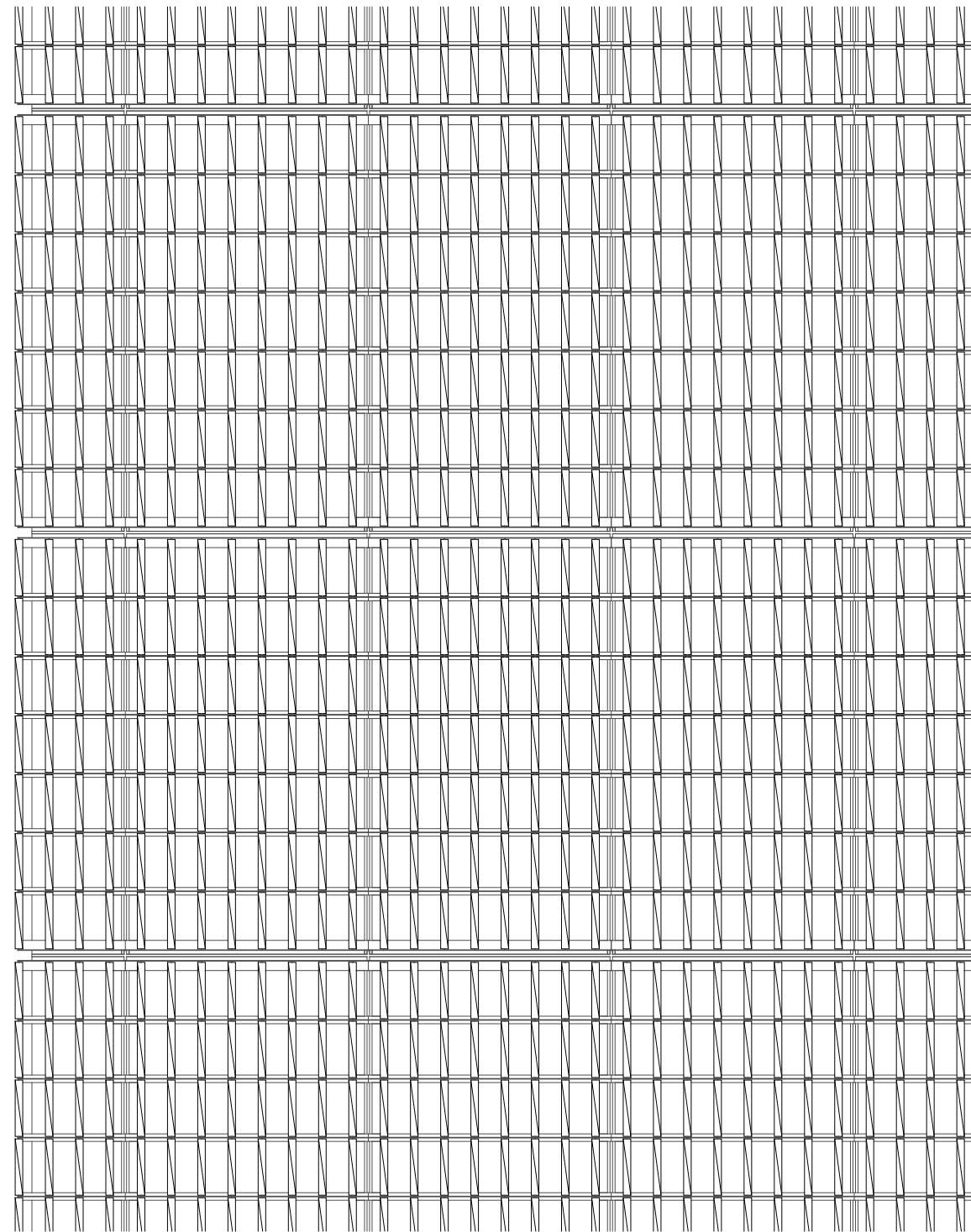
## SPECIFICATION:

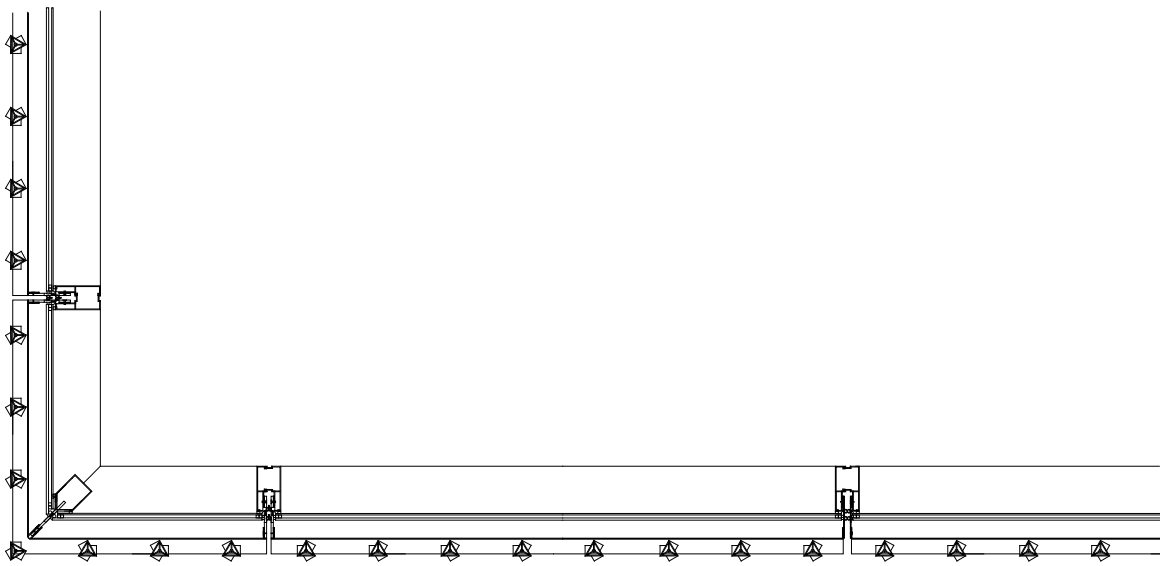
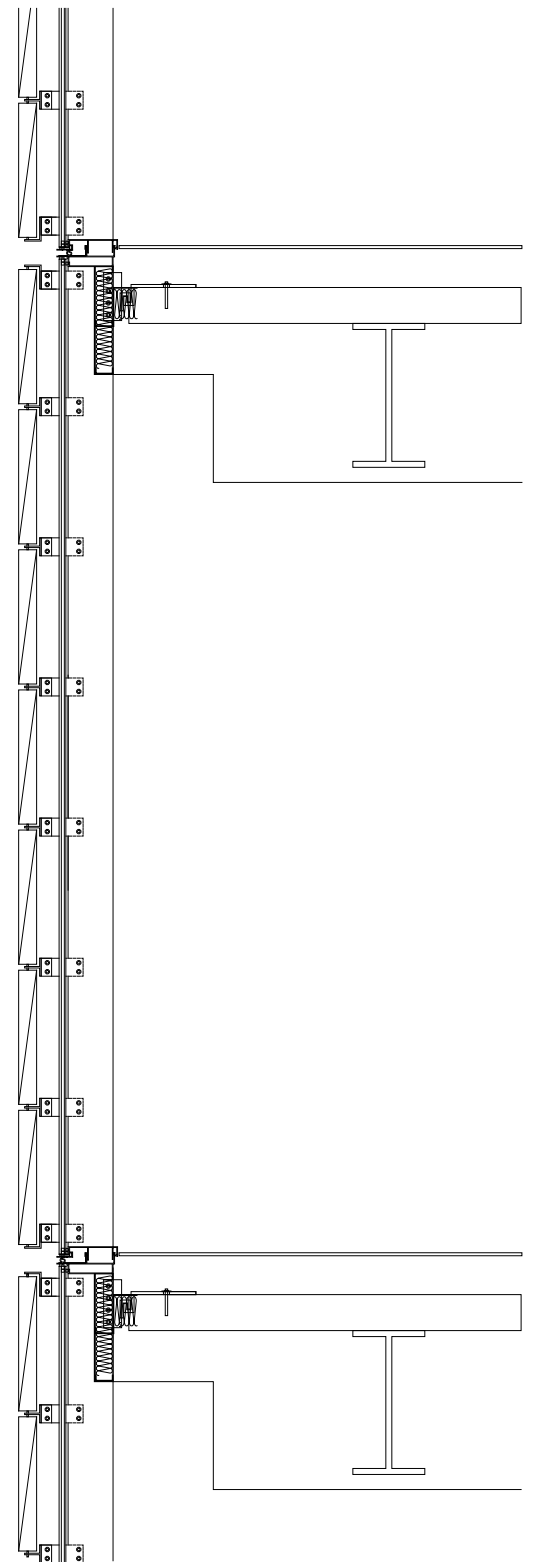
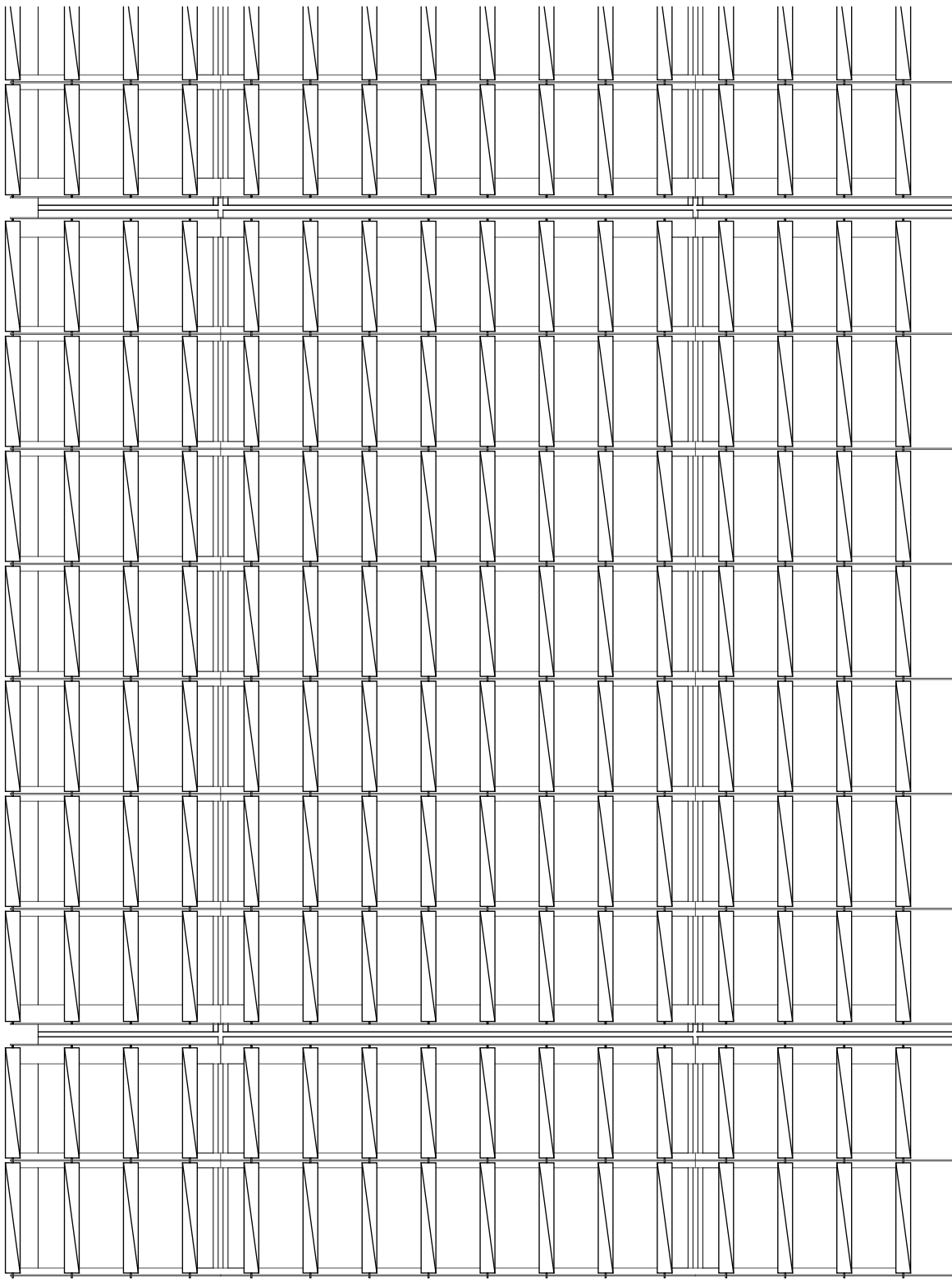
The Main Contractor/Sub-Contractor shall design, engineer, test, fabricate, deliver, install, and guarantee all construction necessary to provide all Curtain Walls (CW) for the complete airtight and watertight enclosure of the building from grade to the uppermost elevation. CW shall be complete in every respect, including all measures that may be required to that end, notwithstanding any omissions or inadequacies of drawings and/or specifications.

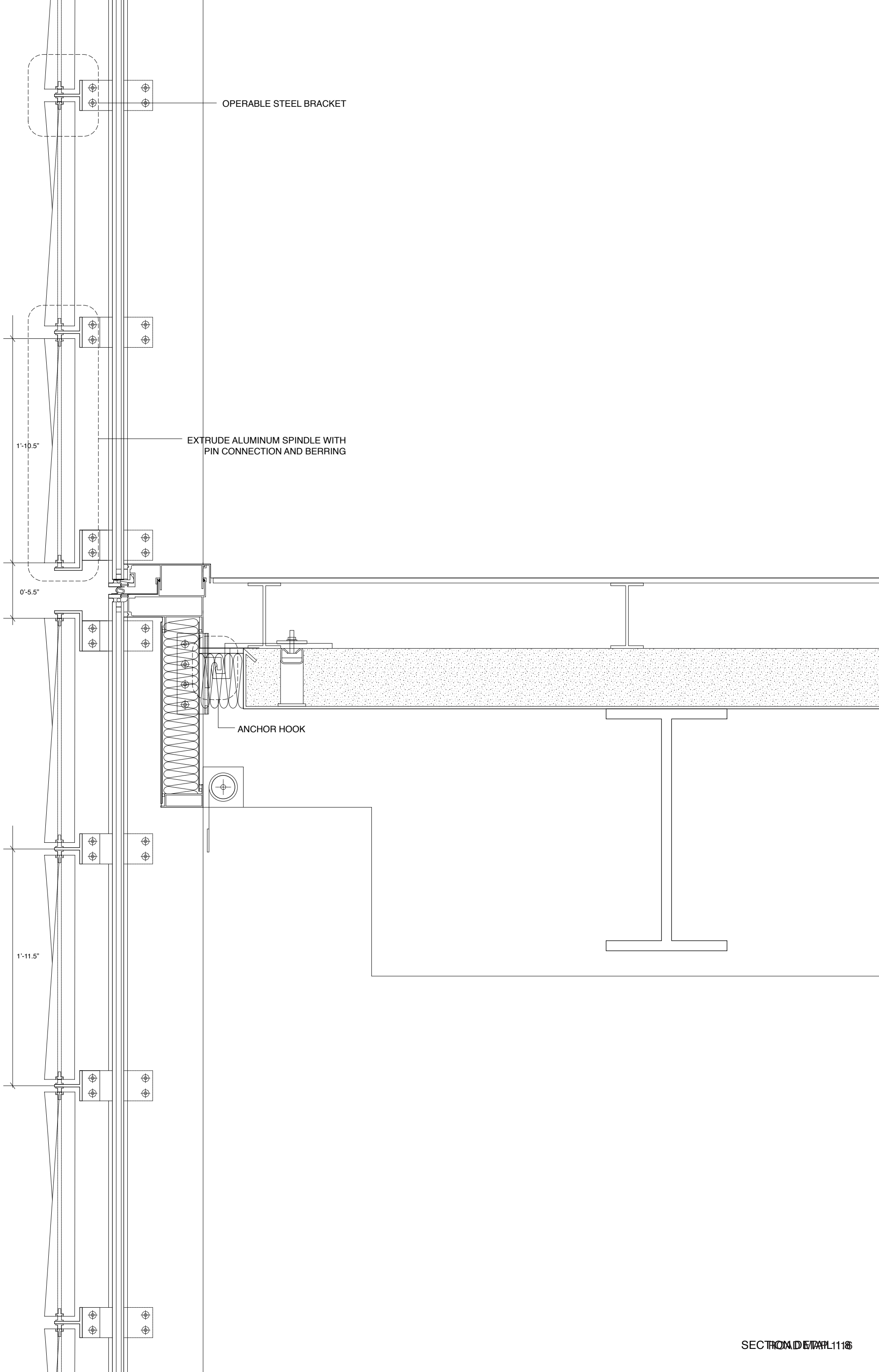
### Components of the Work:

1. Aluminum and Glass Curtain Wall System.
  - a. All Elevations (floors 1-4). Vertical Unitized Curtain Wall system with clear insulating vision glass with stack joint 2" above slab. Aluminum color white.
  - b. All Elevations (rooftop). Vertical Unitized mullions structurally spliced to unit below.
2. Steel Brackets and Aluminum Spindels
  - a. All Elevations (all floors). Removable horizontal brackets outboard of the curtain wall units that span the width of the unitized system and incorporate extruded aluminum spindels that span vertically between each bracket.









OPERABLE STEEL BRACKET

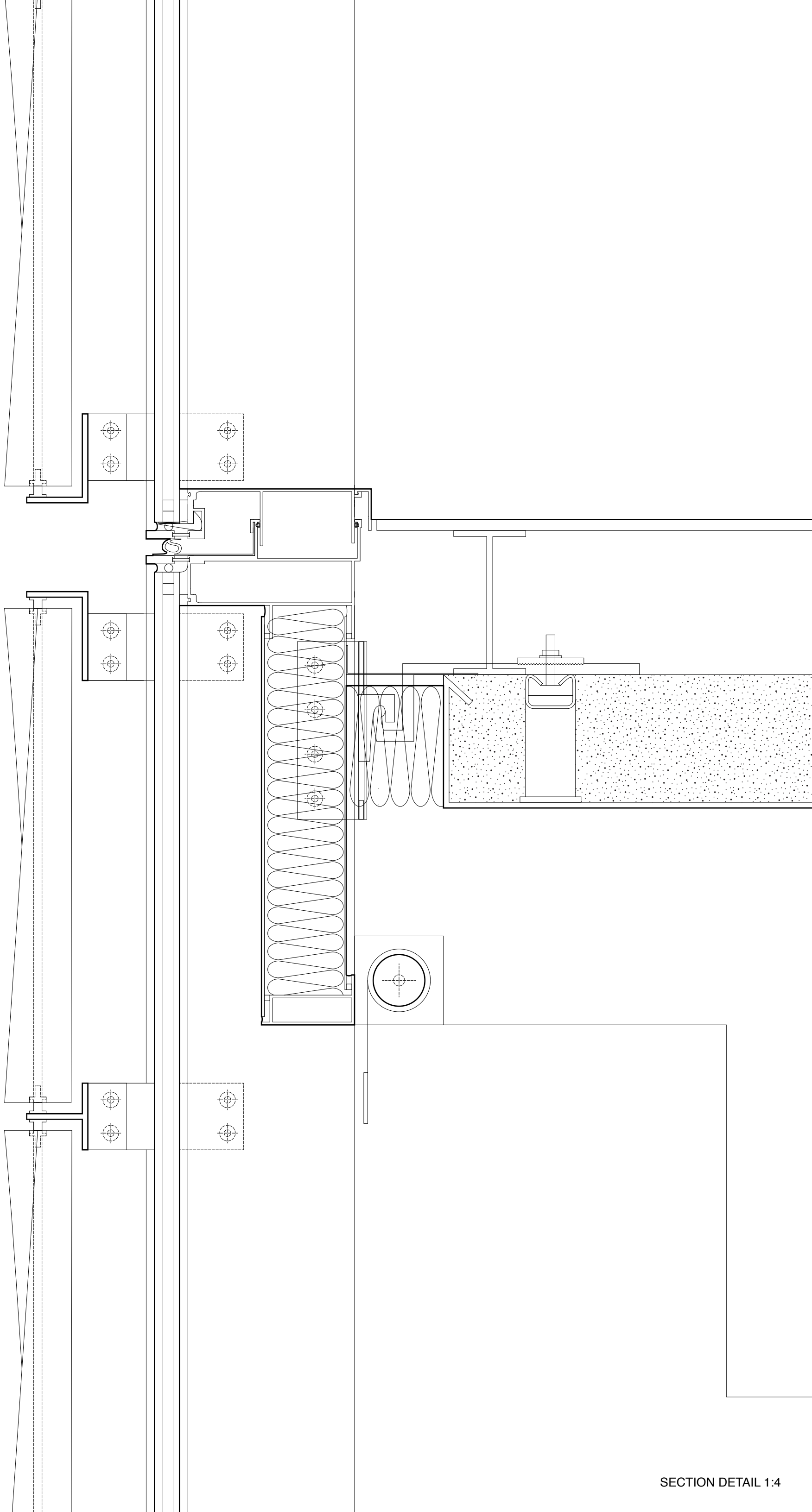
EXTRUDE ALUMINUM SPINDLE WITH  
PIN CONNECTION AND BERRING

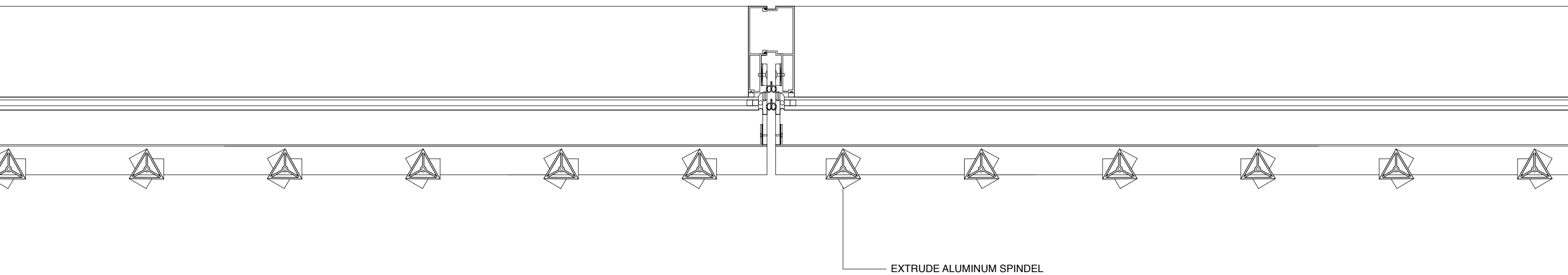
ANCHOR HOOK

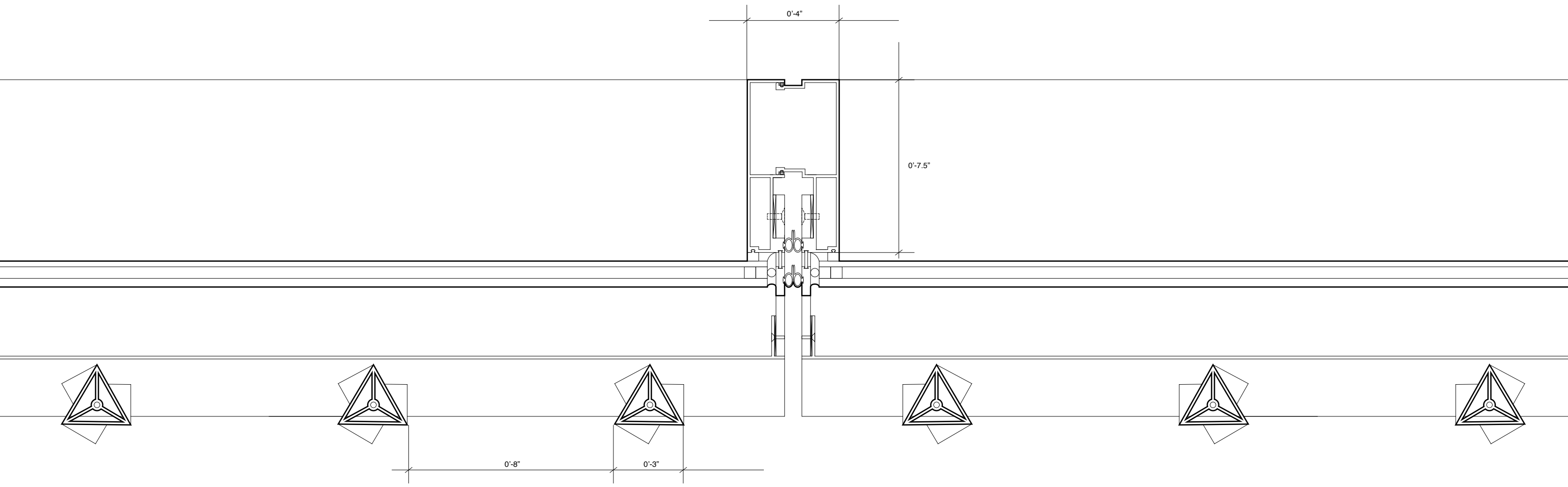
1'-10.5"

0'-5.5"

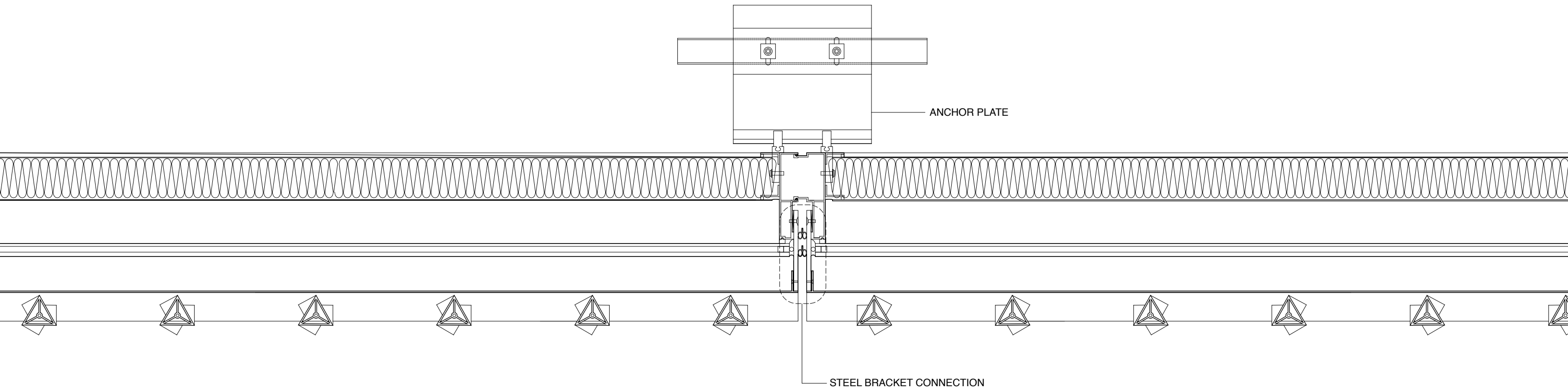
1'-11.5"

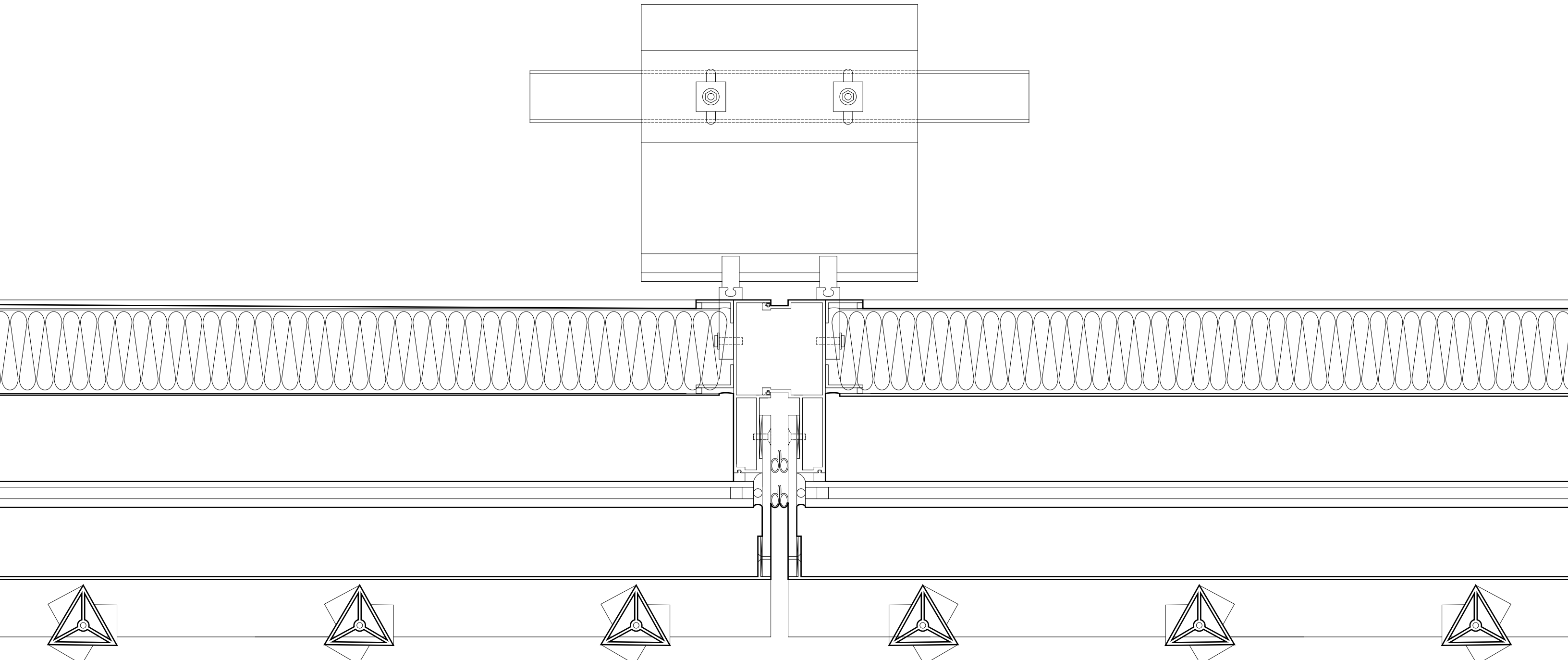


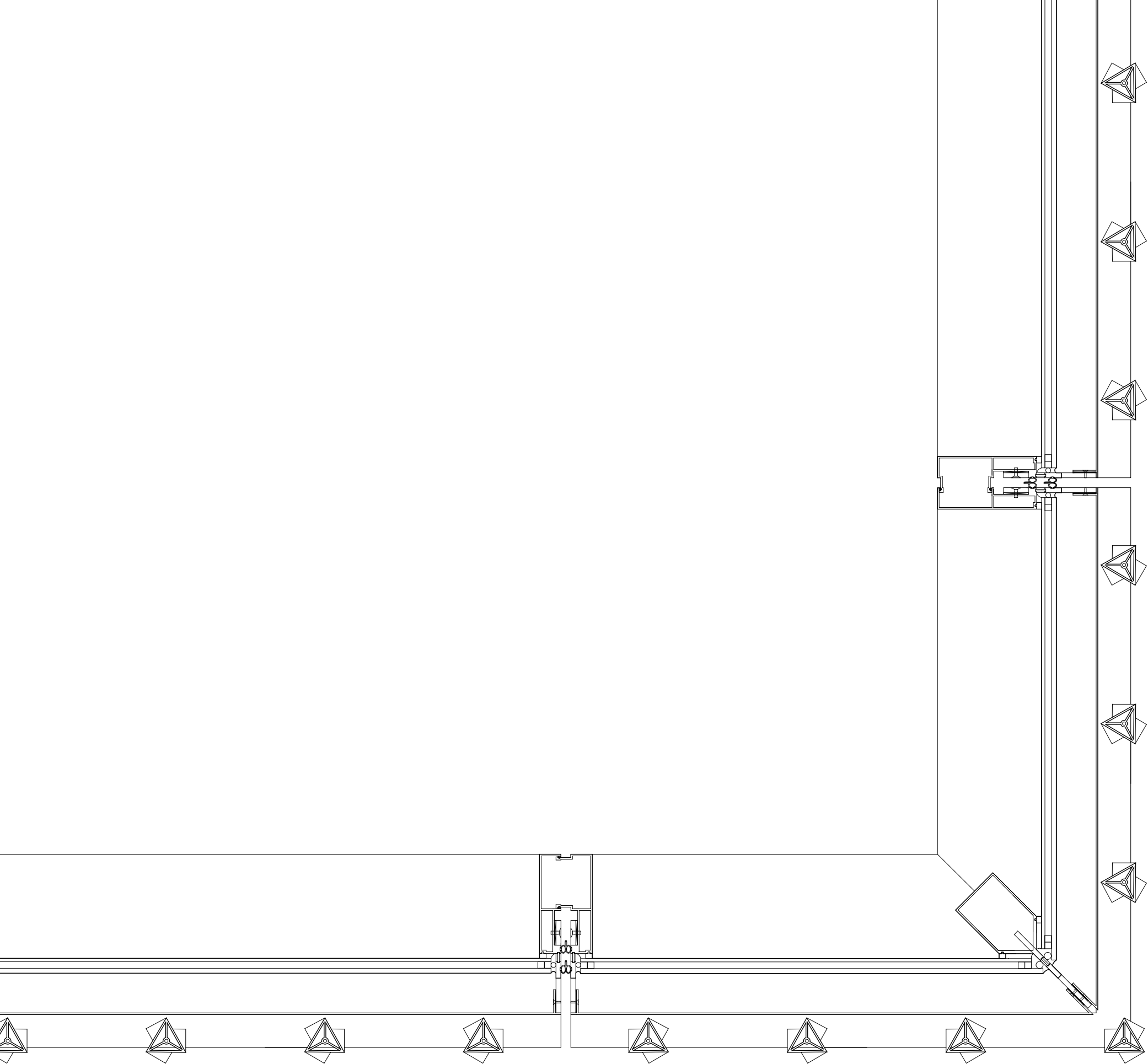


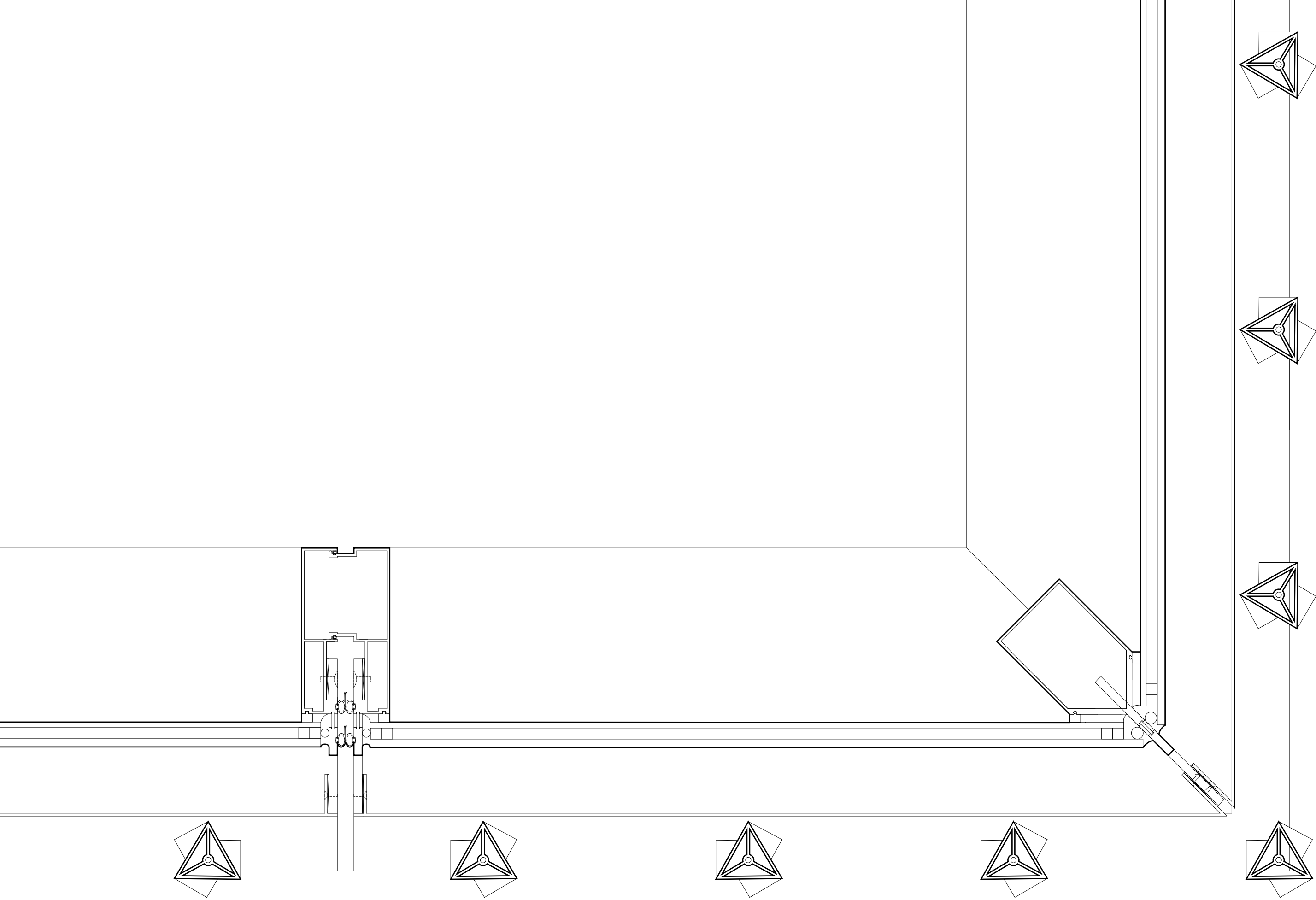


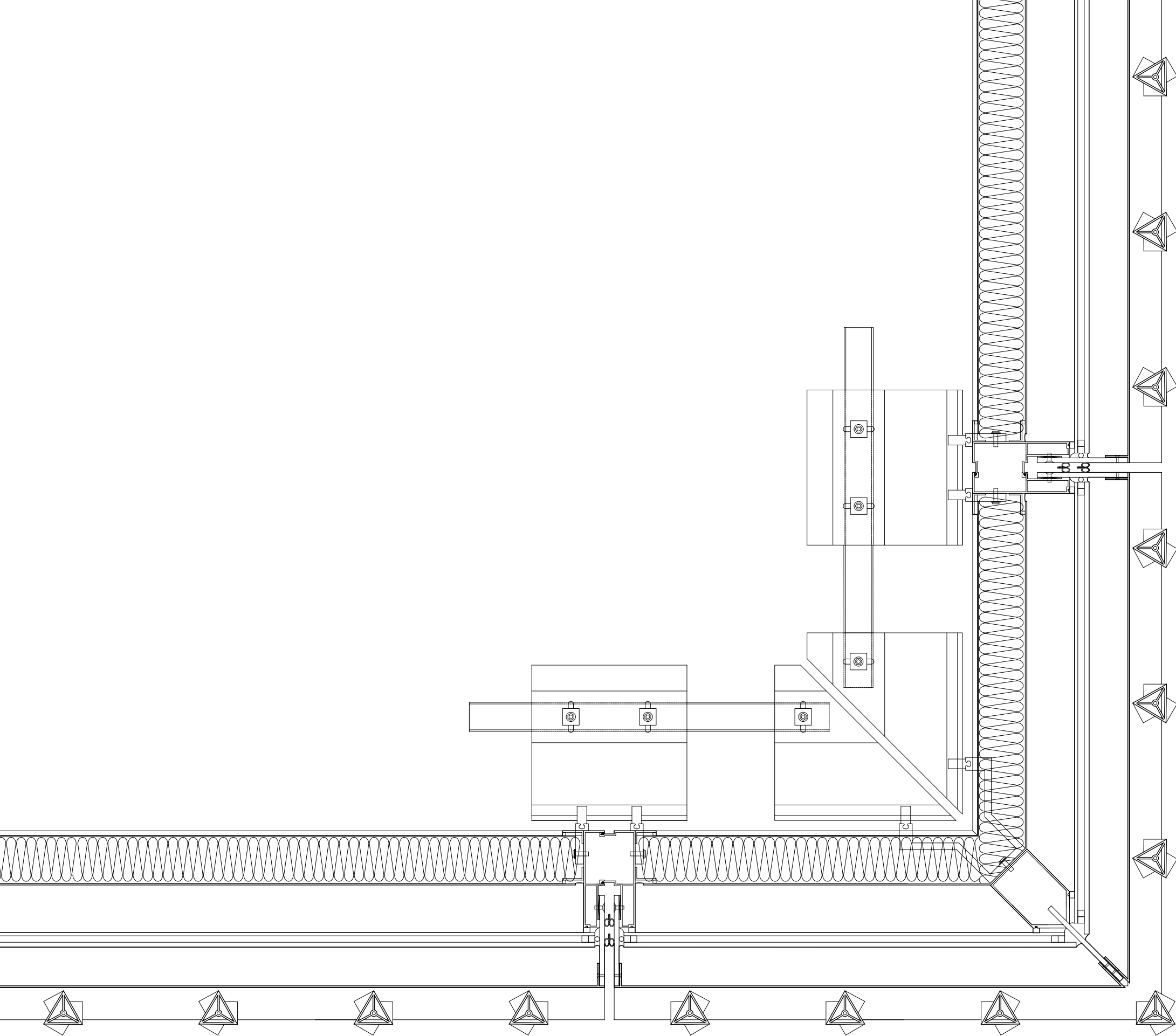


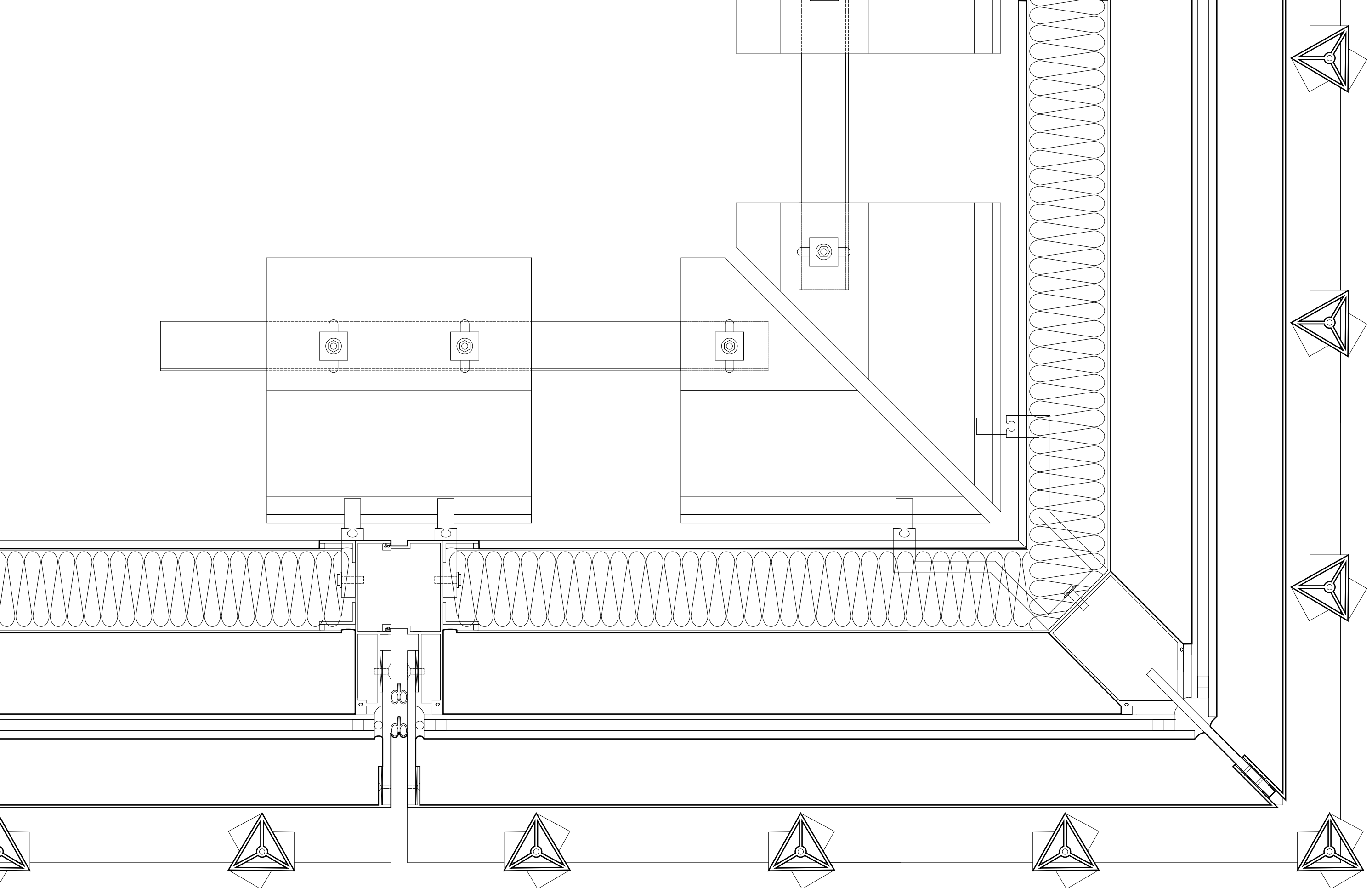




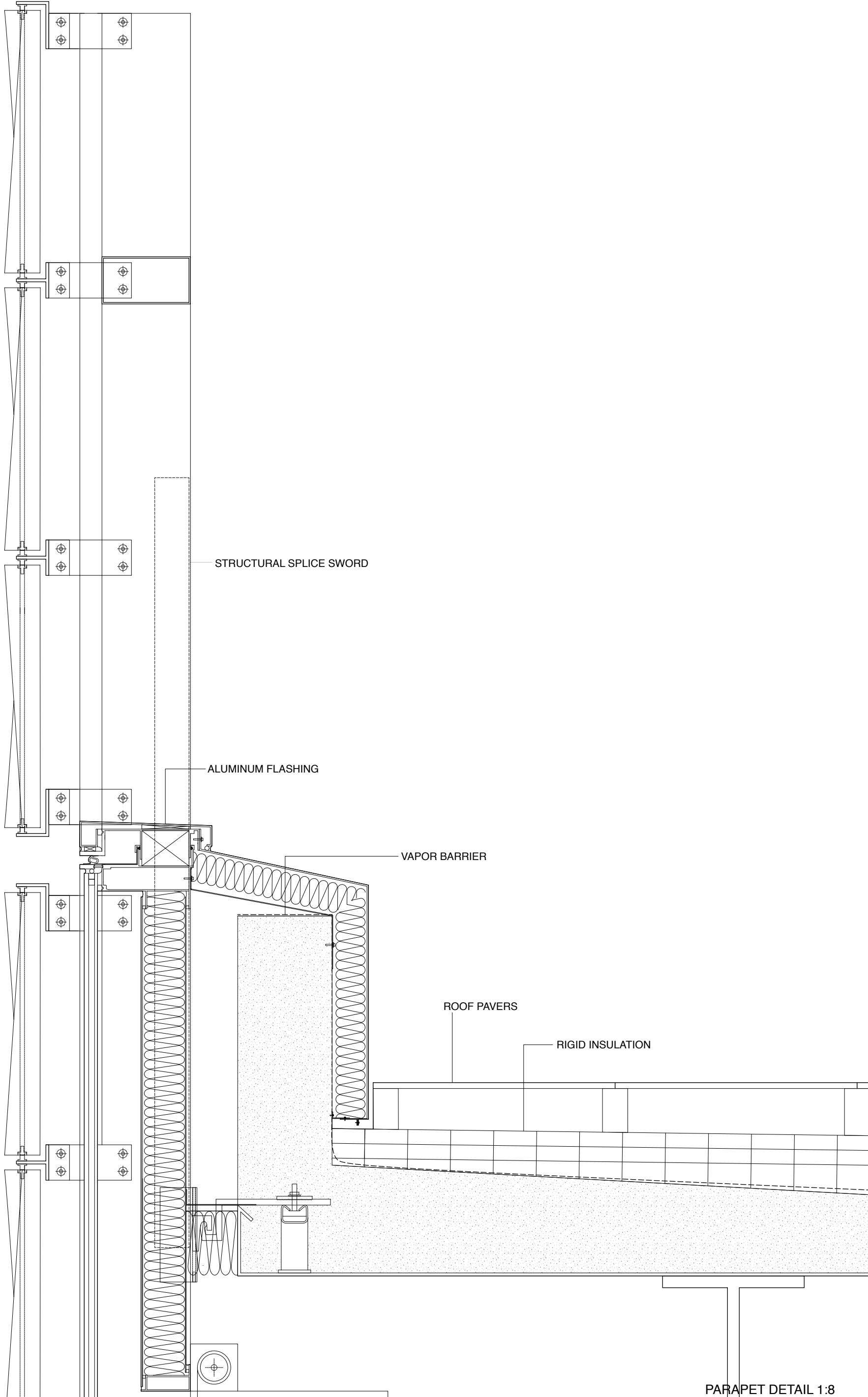








CORNER ANCHOR DETAIL 1:4



STRUCTURAL SPLICE SWORD

ALUMINUM FLASHING

VAPOR BARRIER

ROOF PAVERS

RIGID INSULATION

