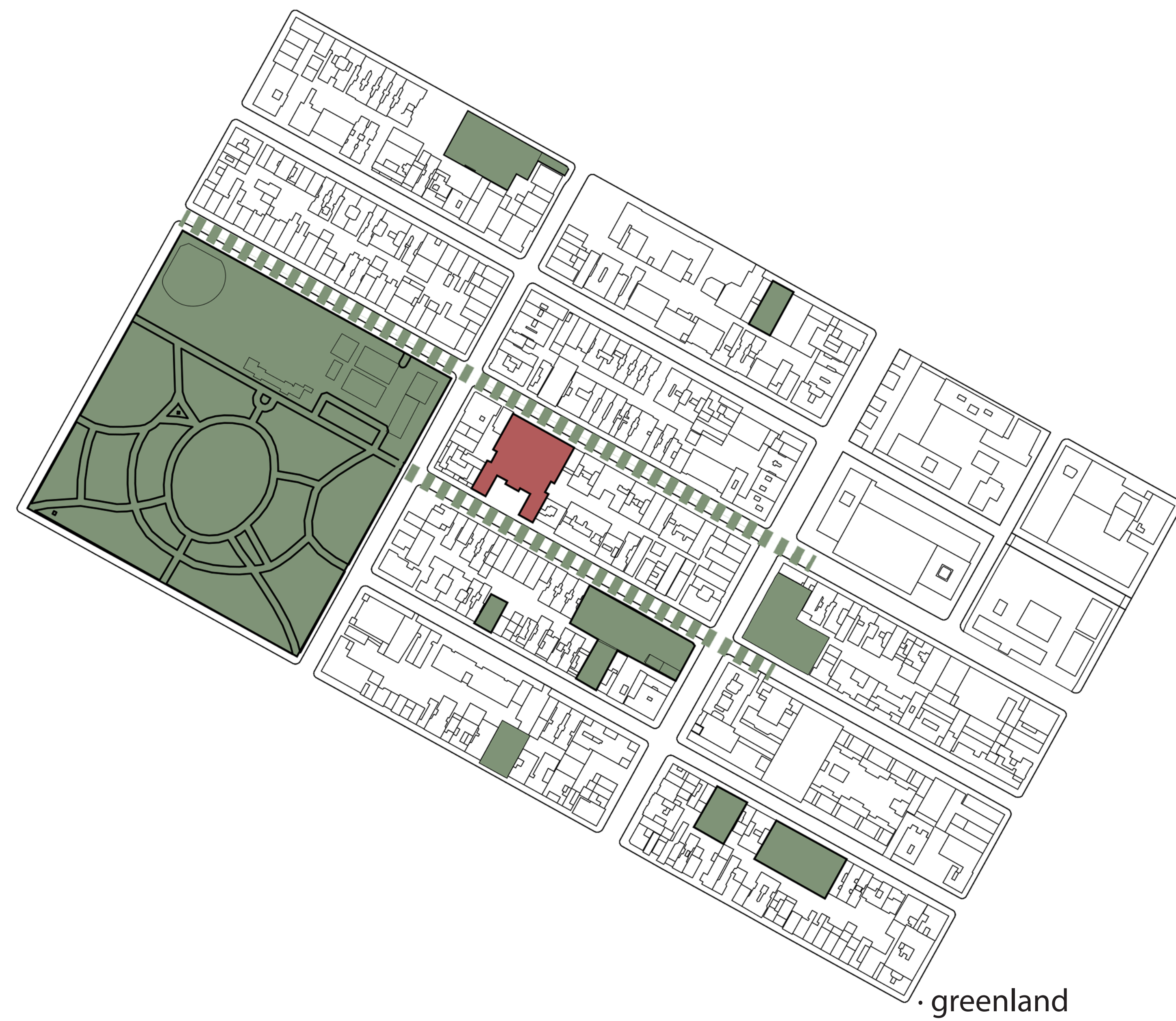
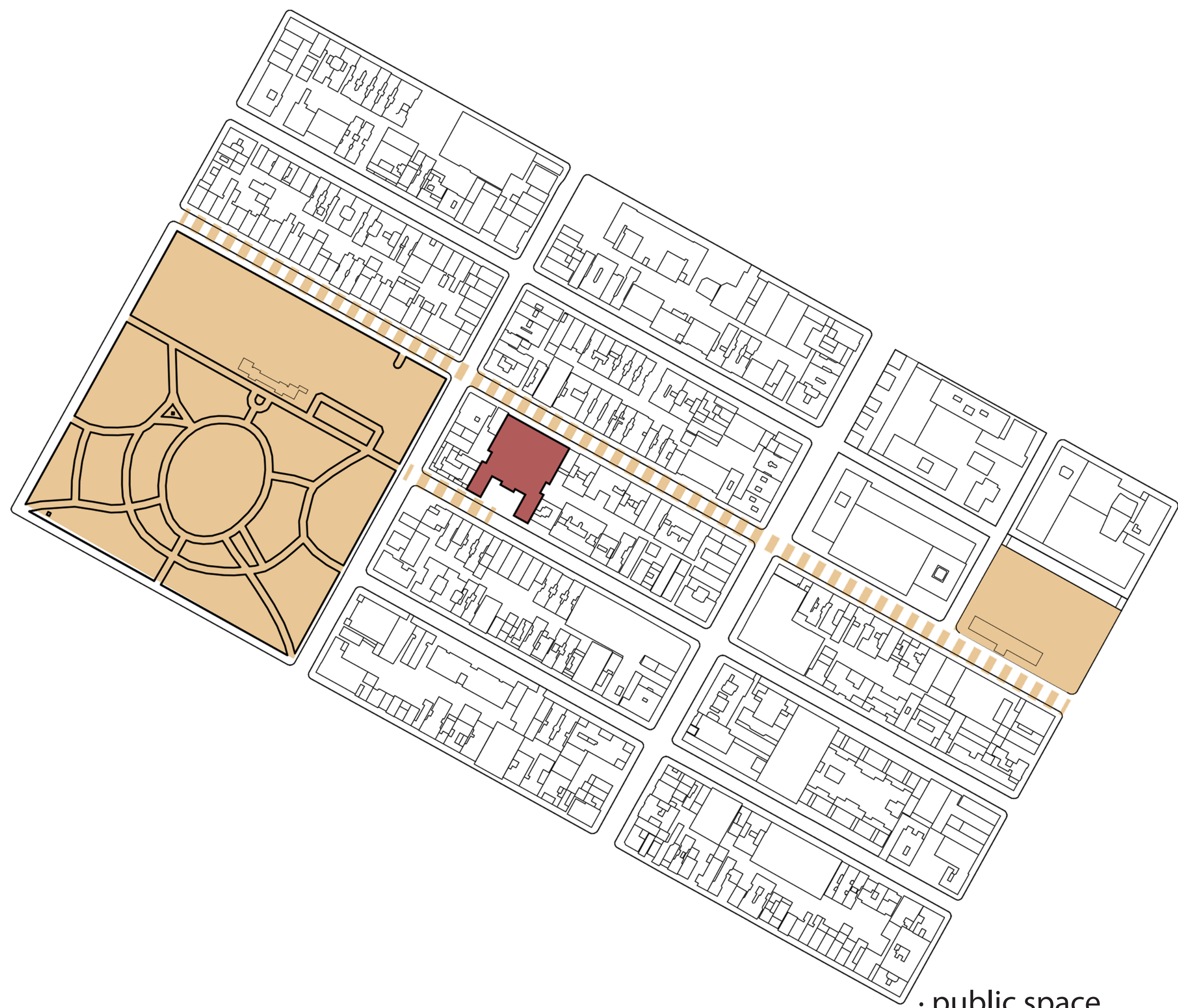




School in "Void"
Chuqi Huang

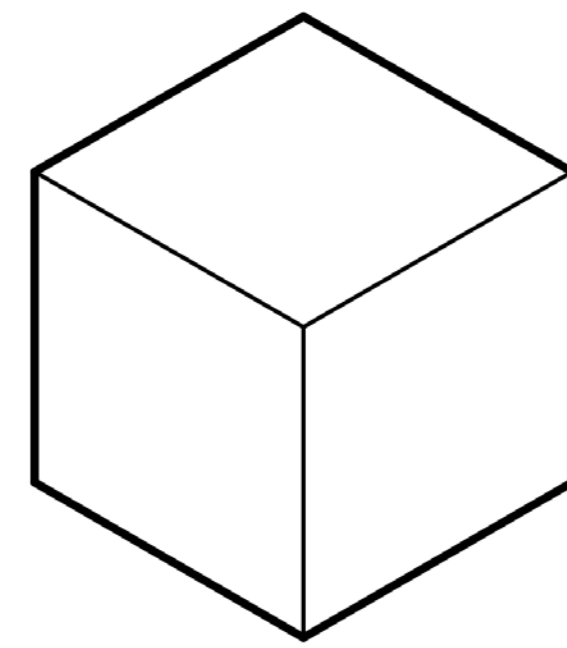
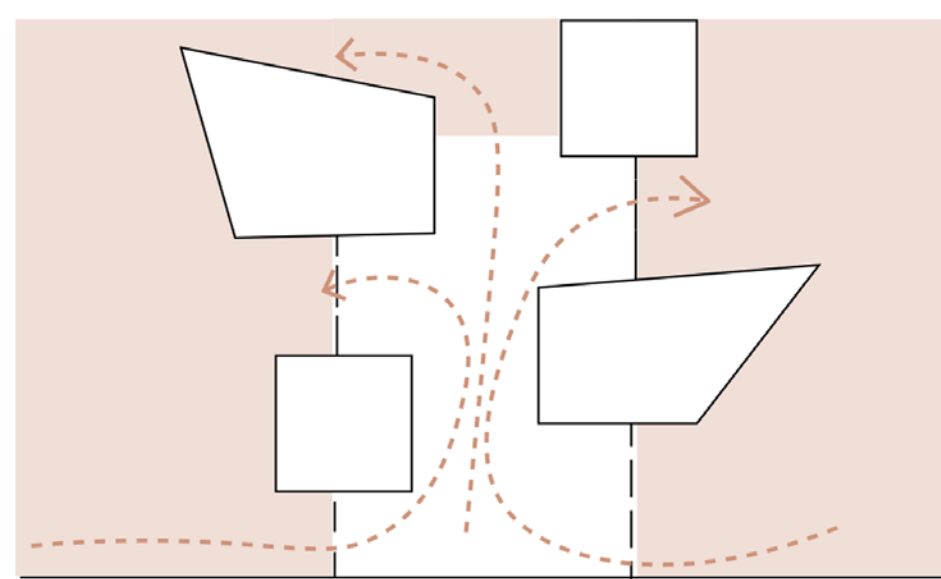
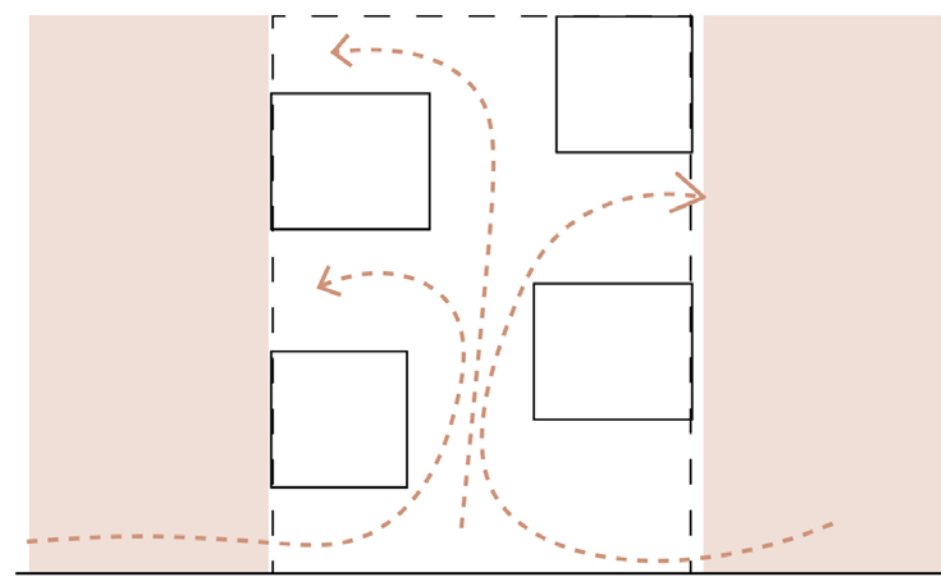
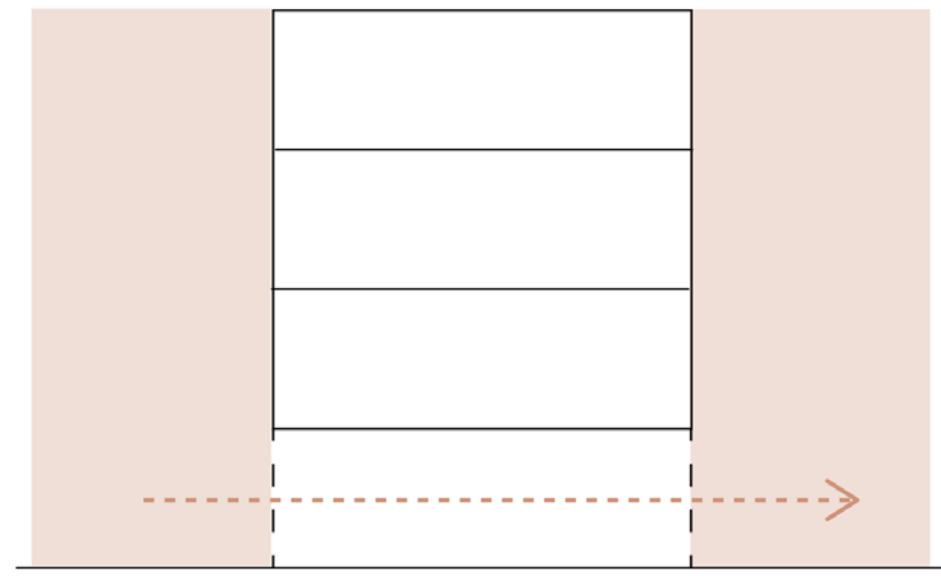
SITE



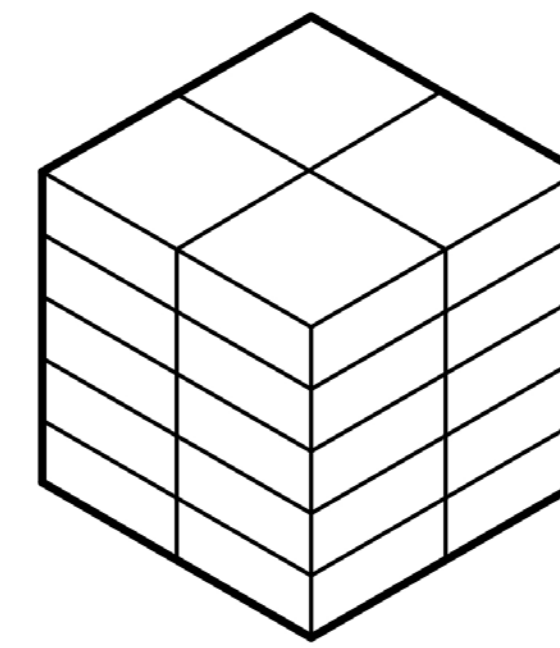
*AXONOMETRIC
PERSPECTIVE*



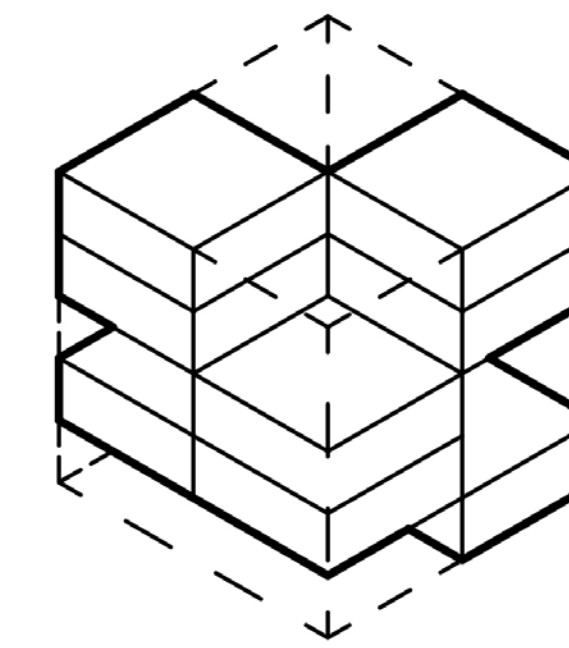
CONCEPT



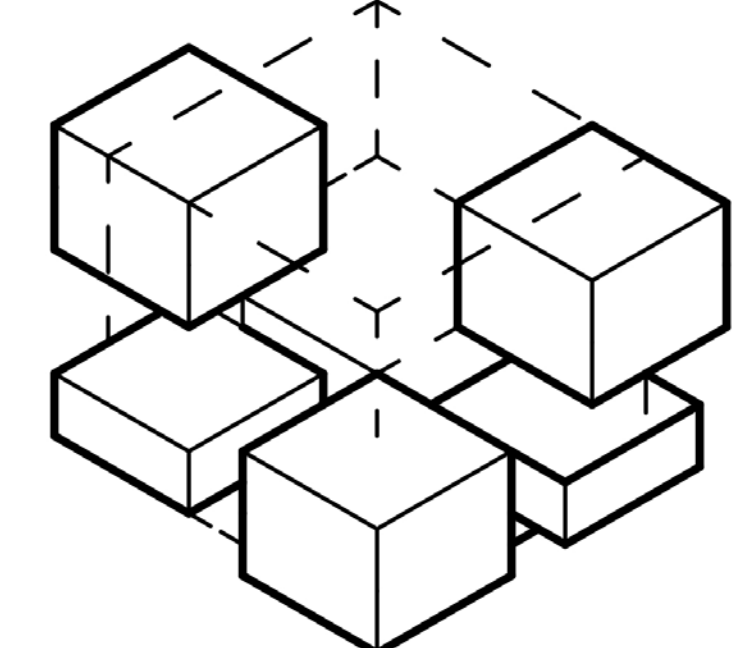
Original Volume



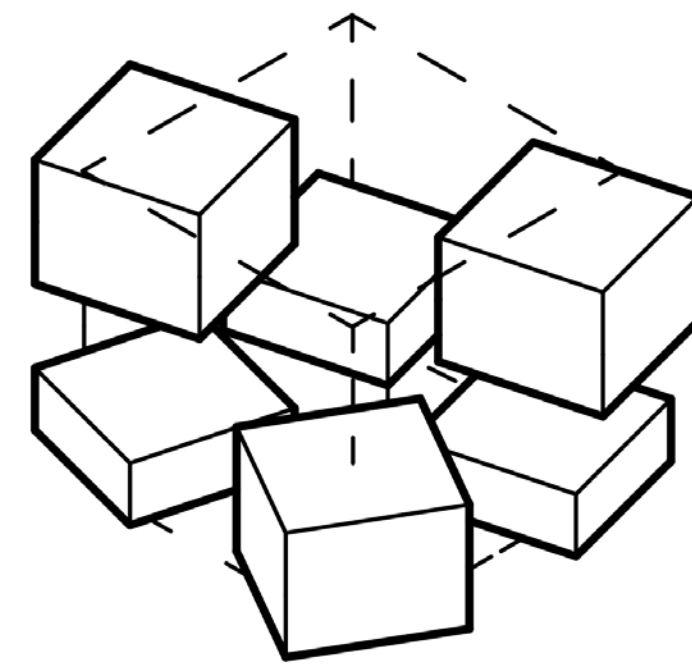
Dissect into functional volumes



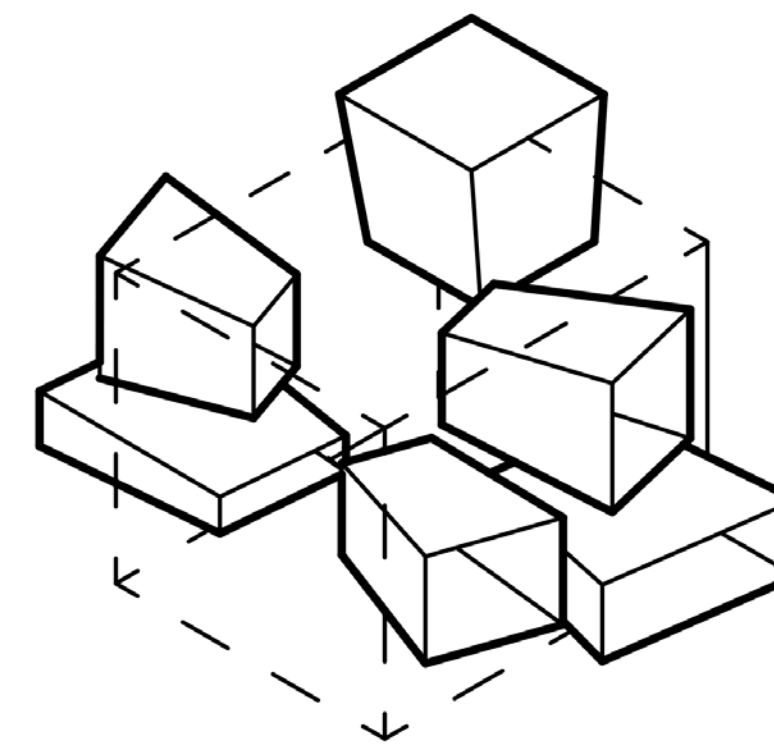
Subtract



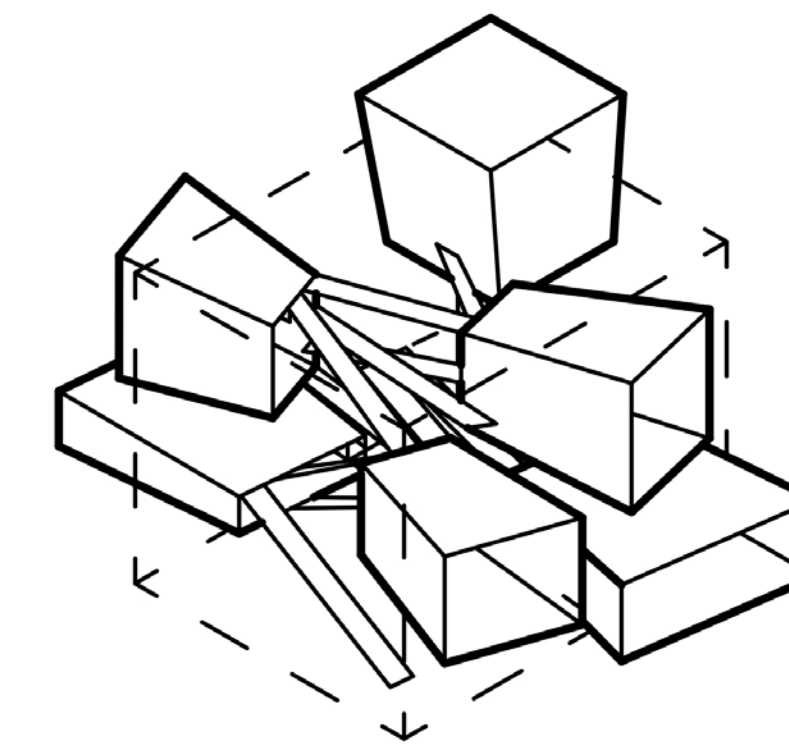
Move to create void



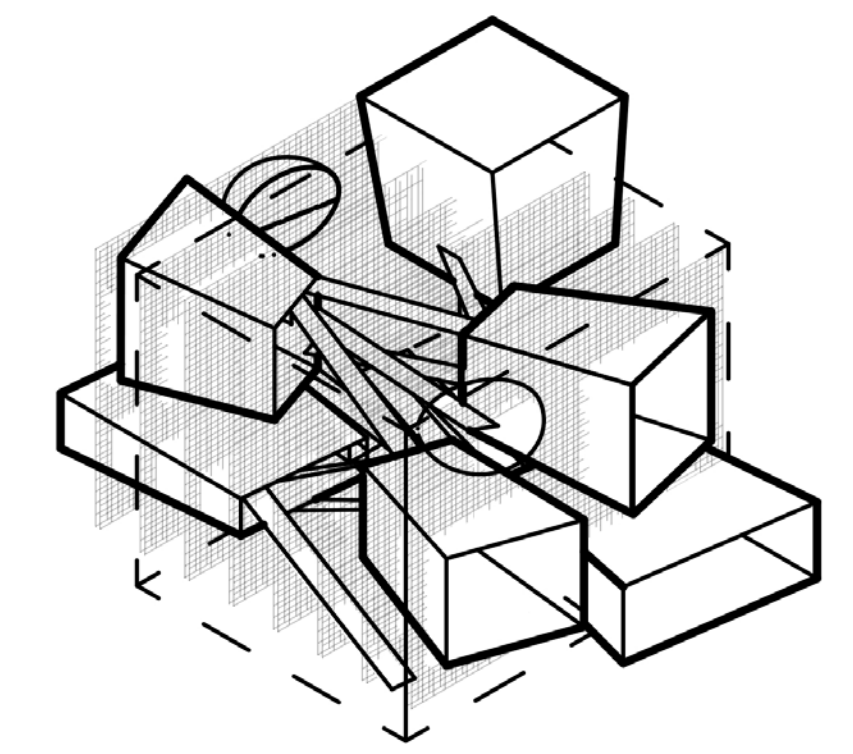
Rotate to face central public space



Transform



connect by ramps

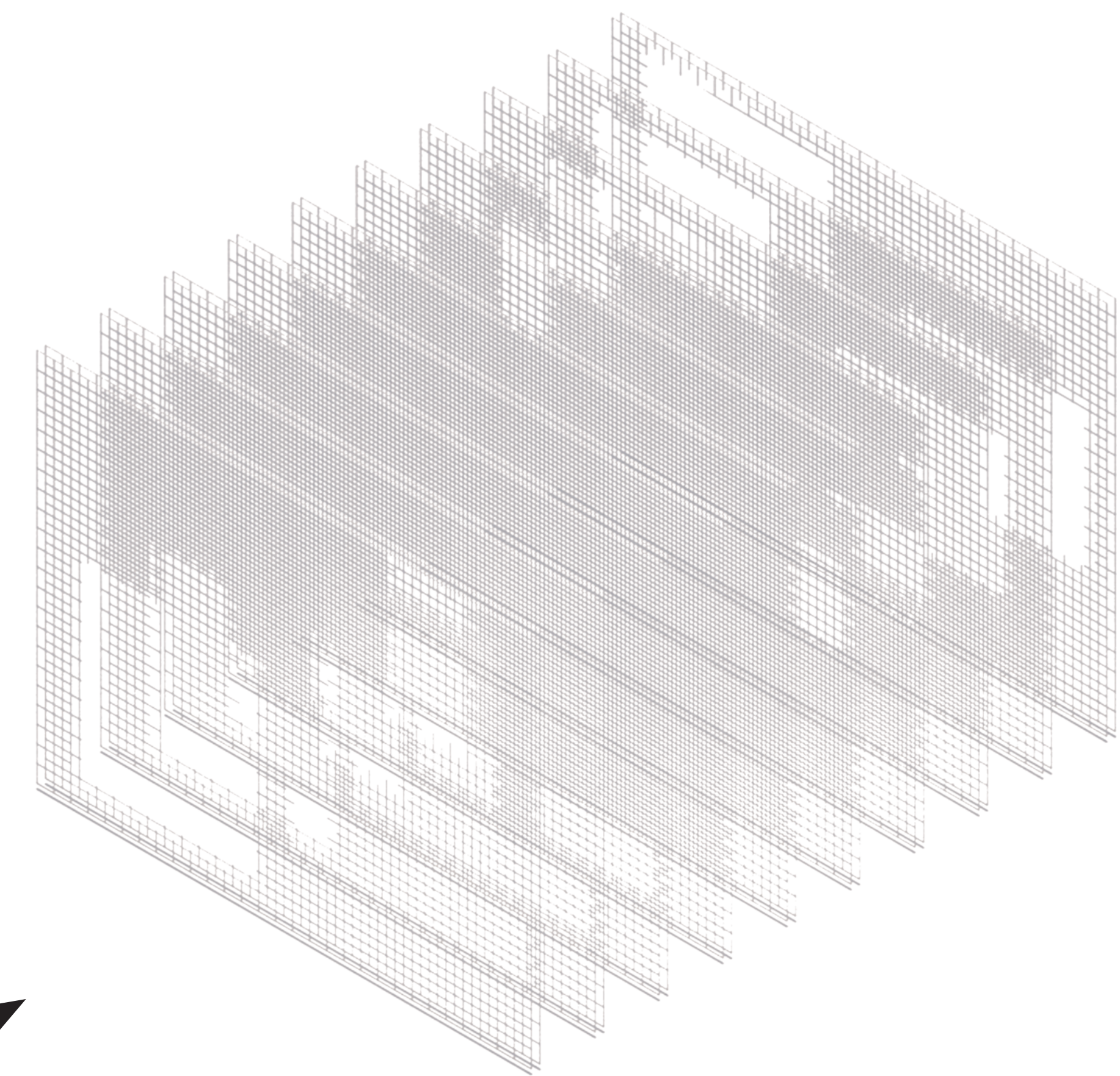
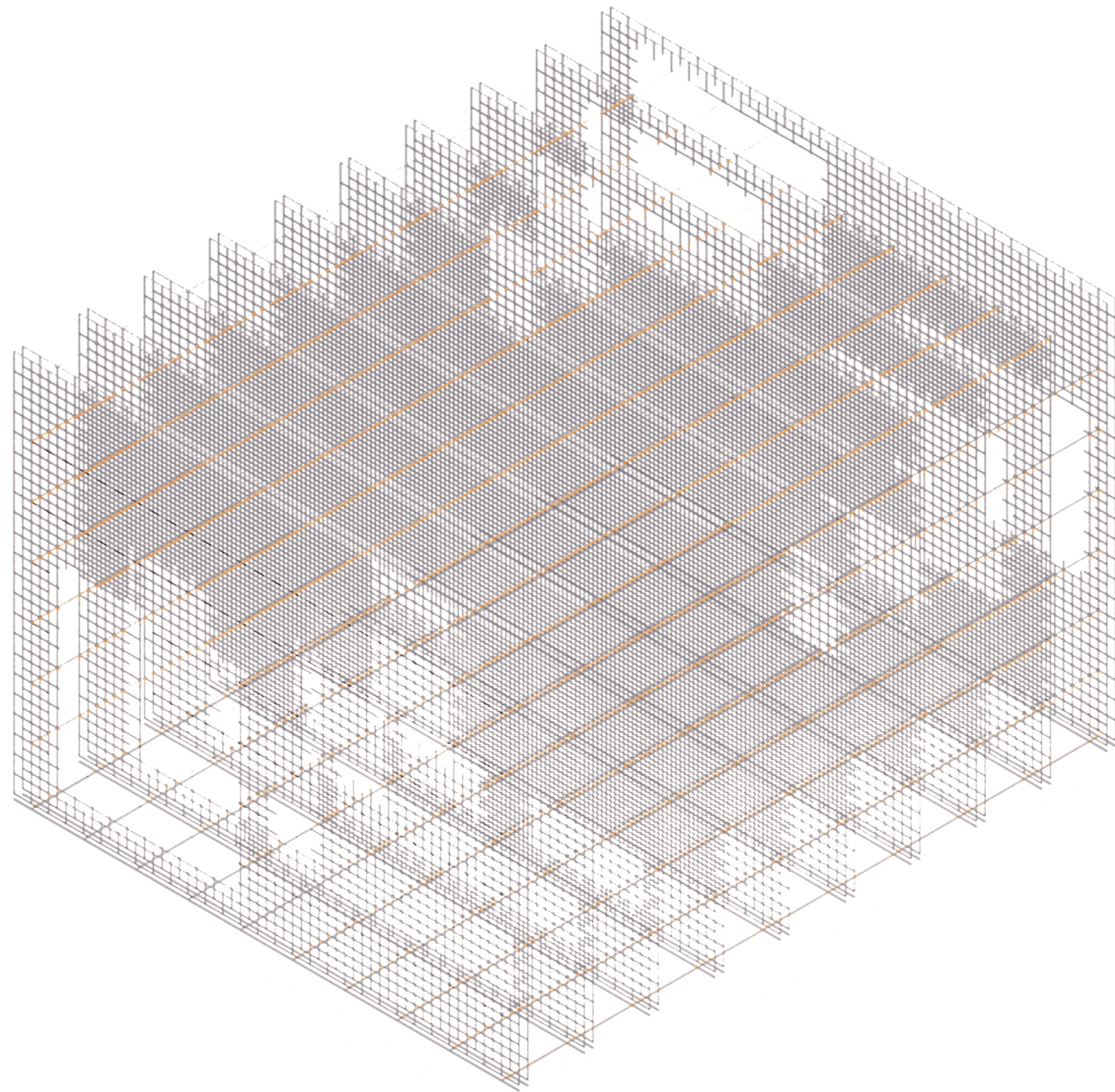


support by lattice system

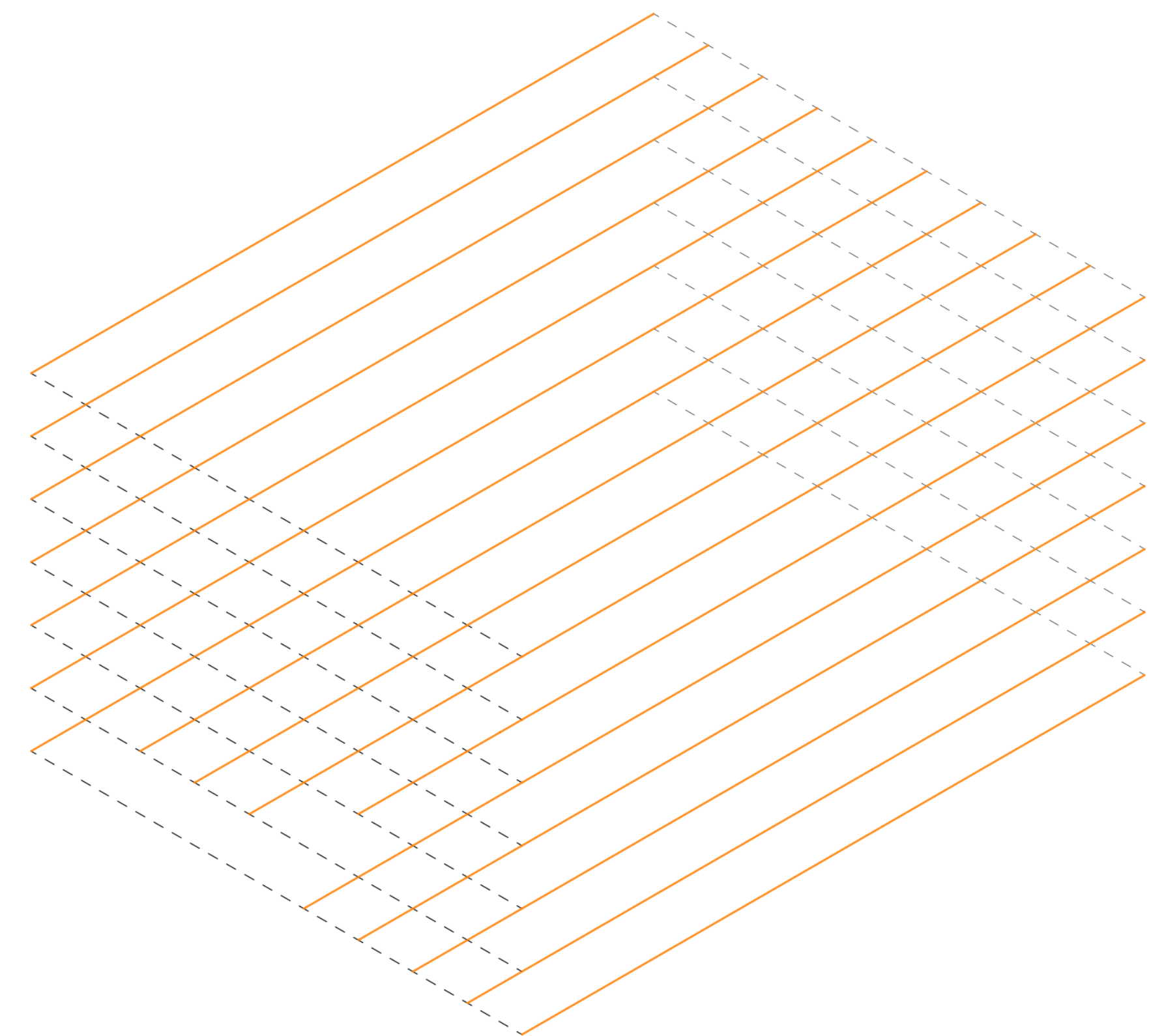
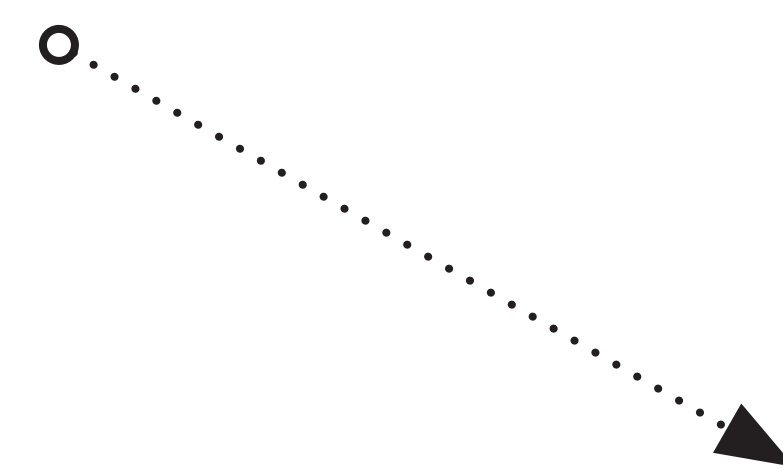
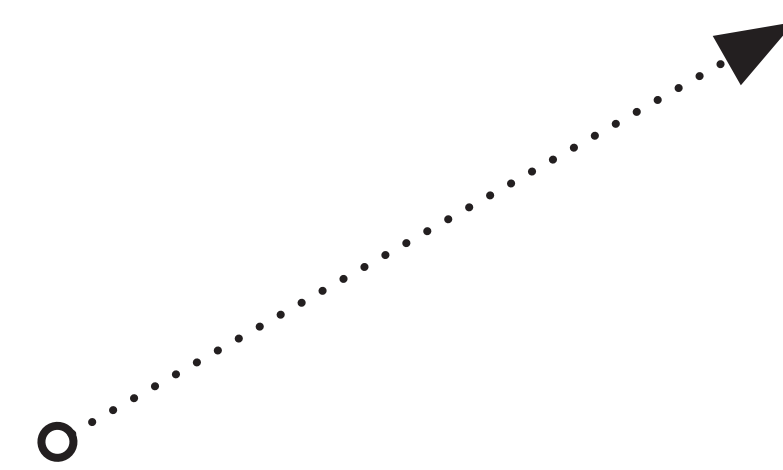
MODEL PHOTO



STRUCTURE



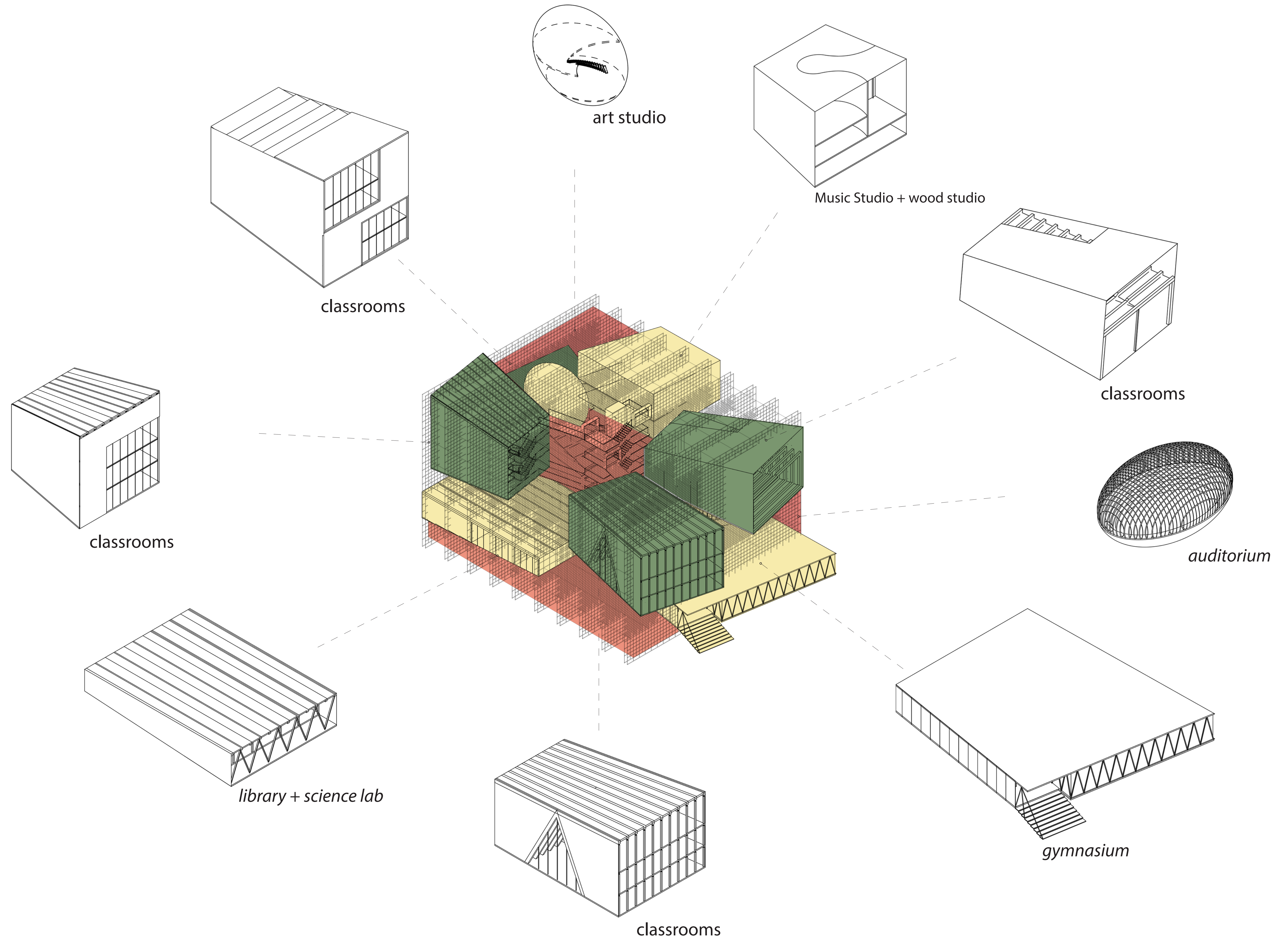
Lattice System



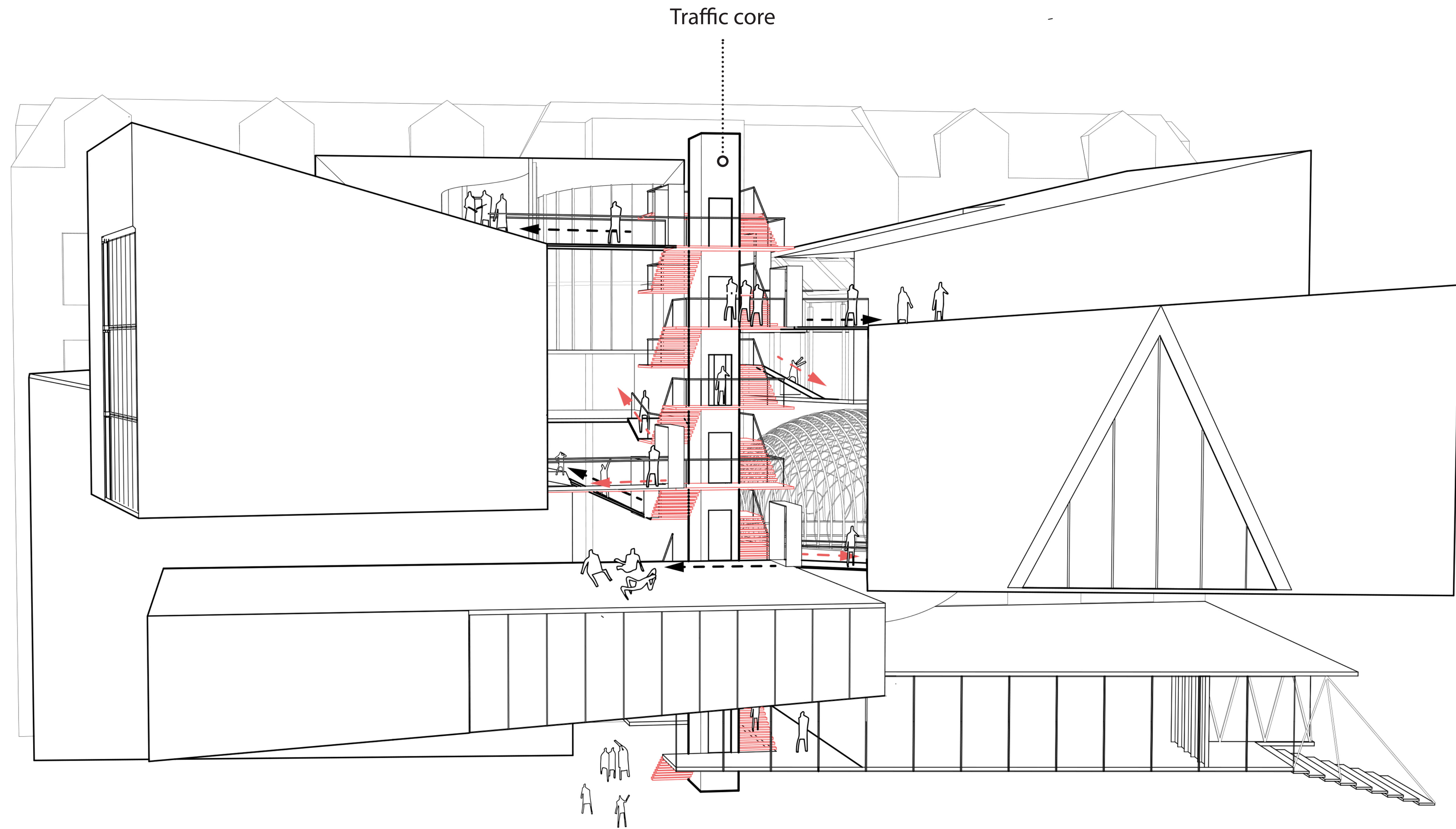
Cable

PROGRAM

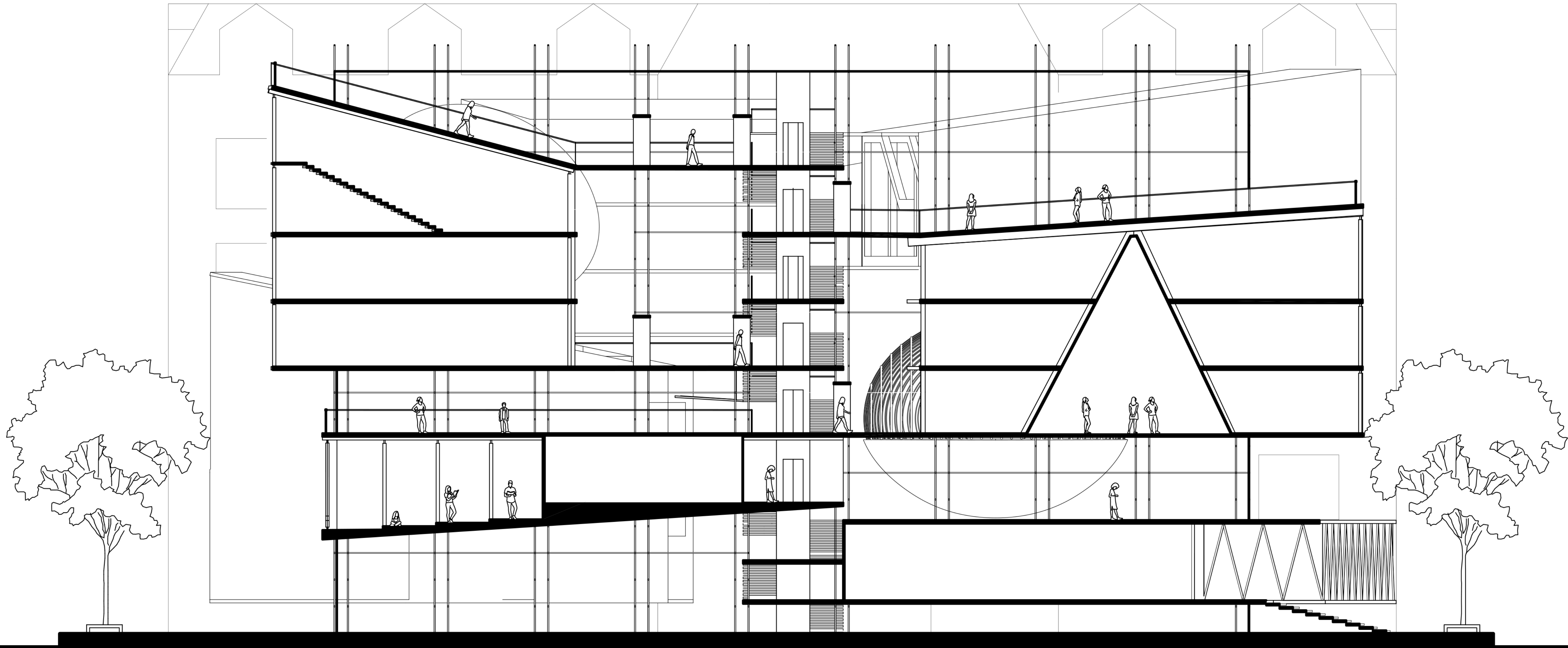
- quiet
- semi-active
- active



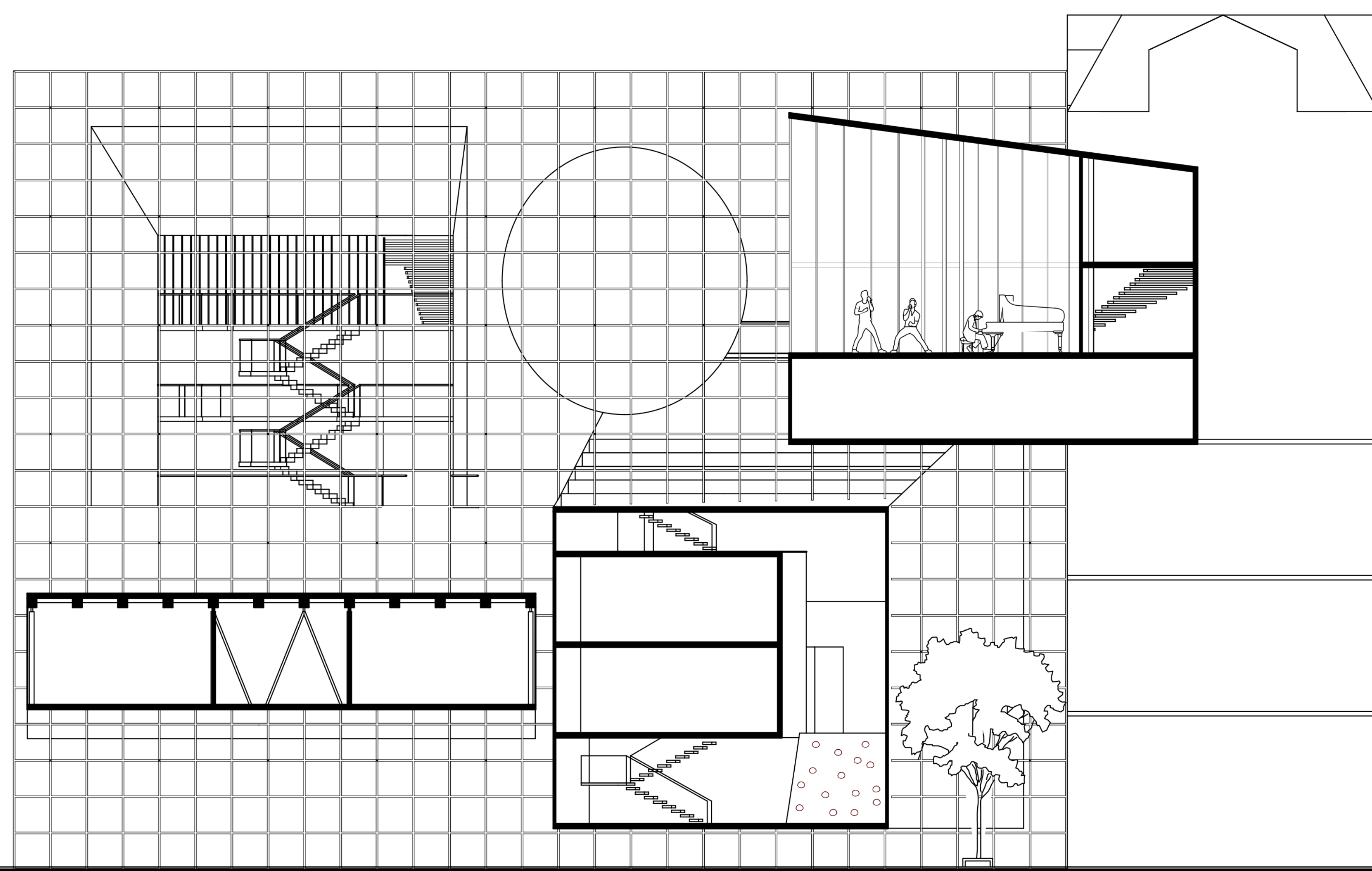
NAVIGATION



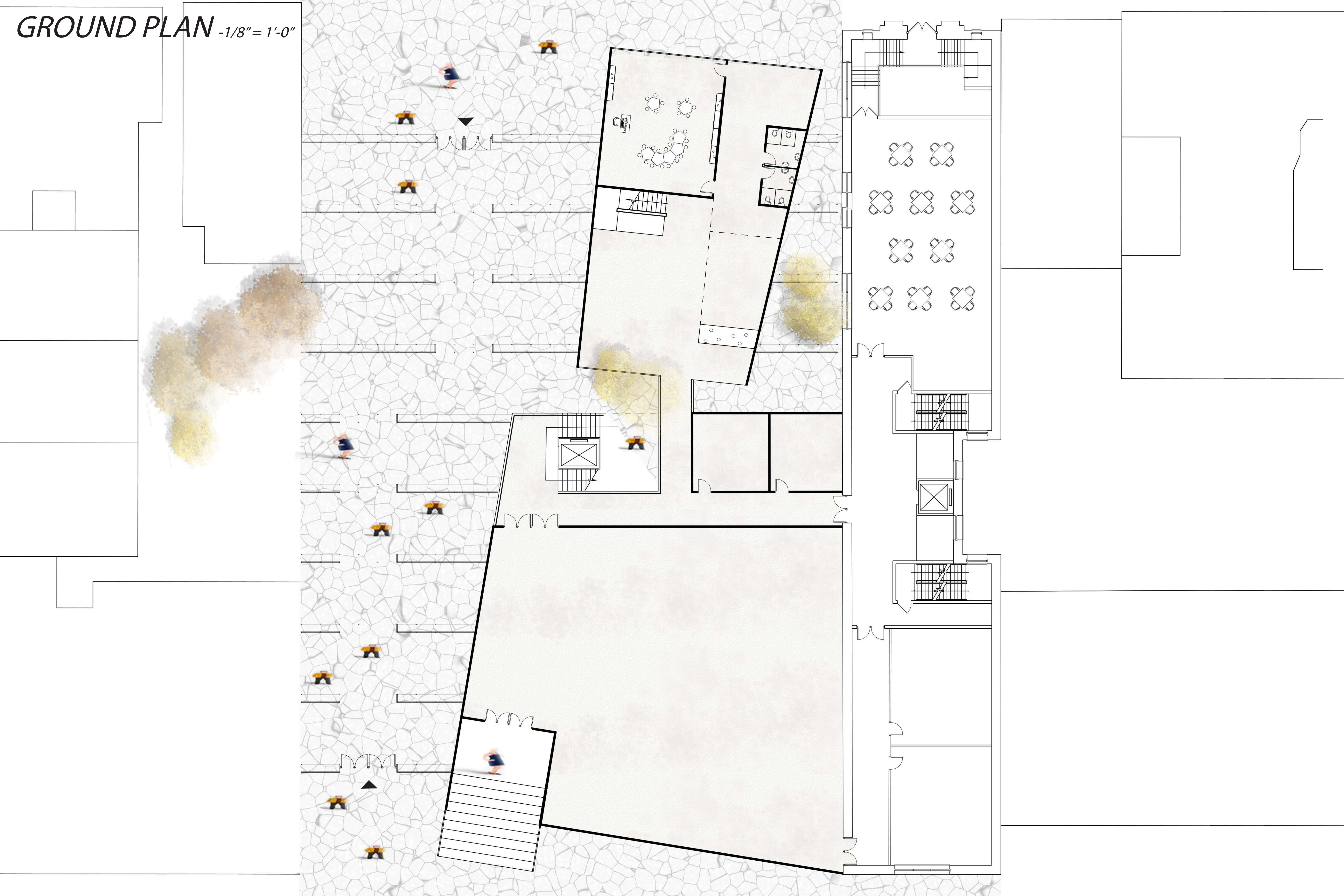
SECTION A-A' -1/8" = 1'-0"



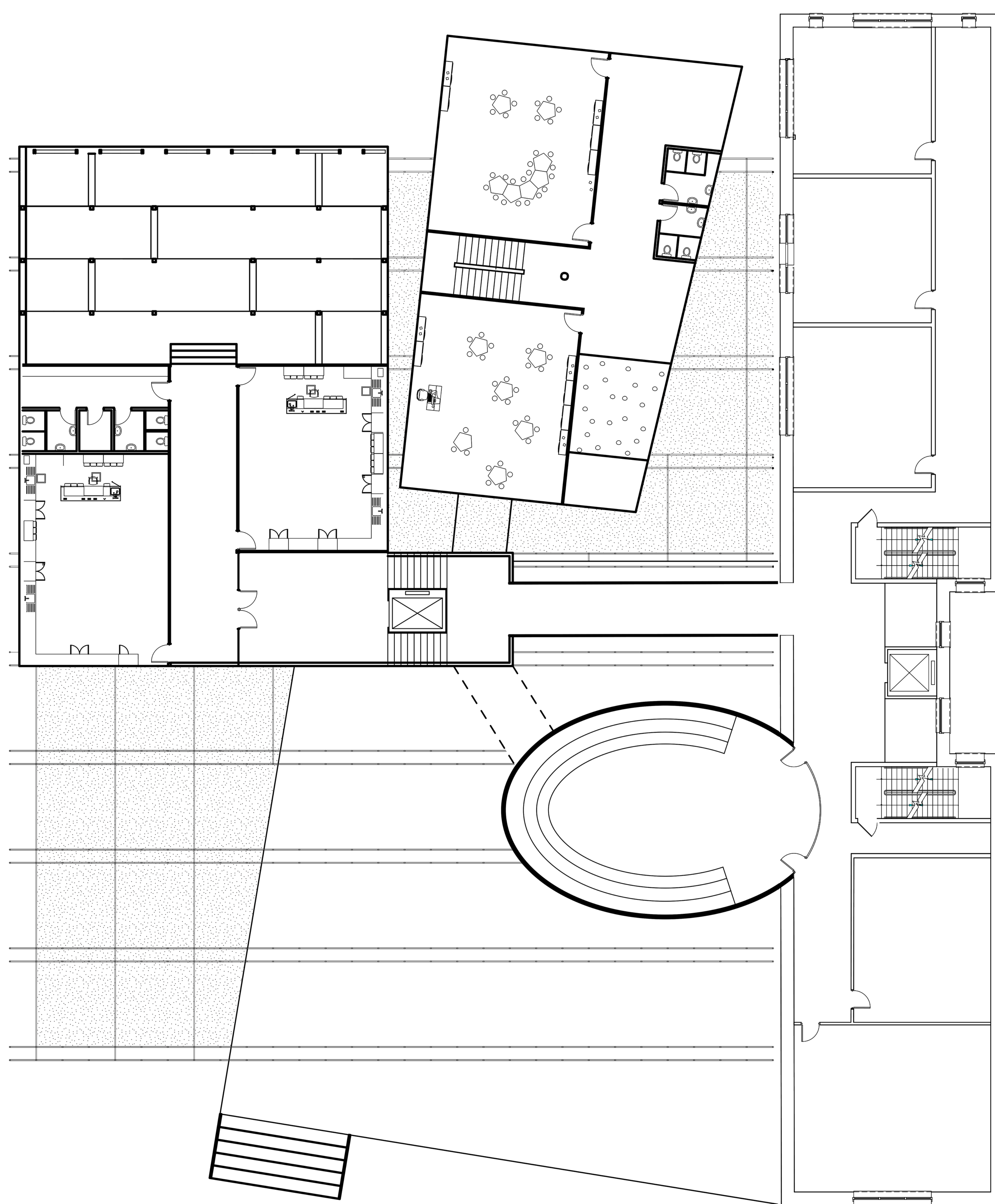
SECTION B-B' -1/8" = 1'-0"



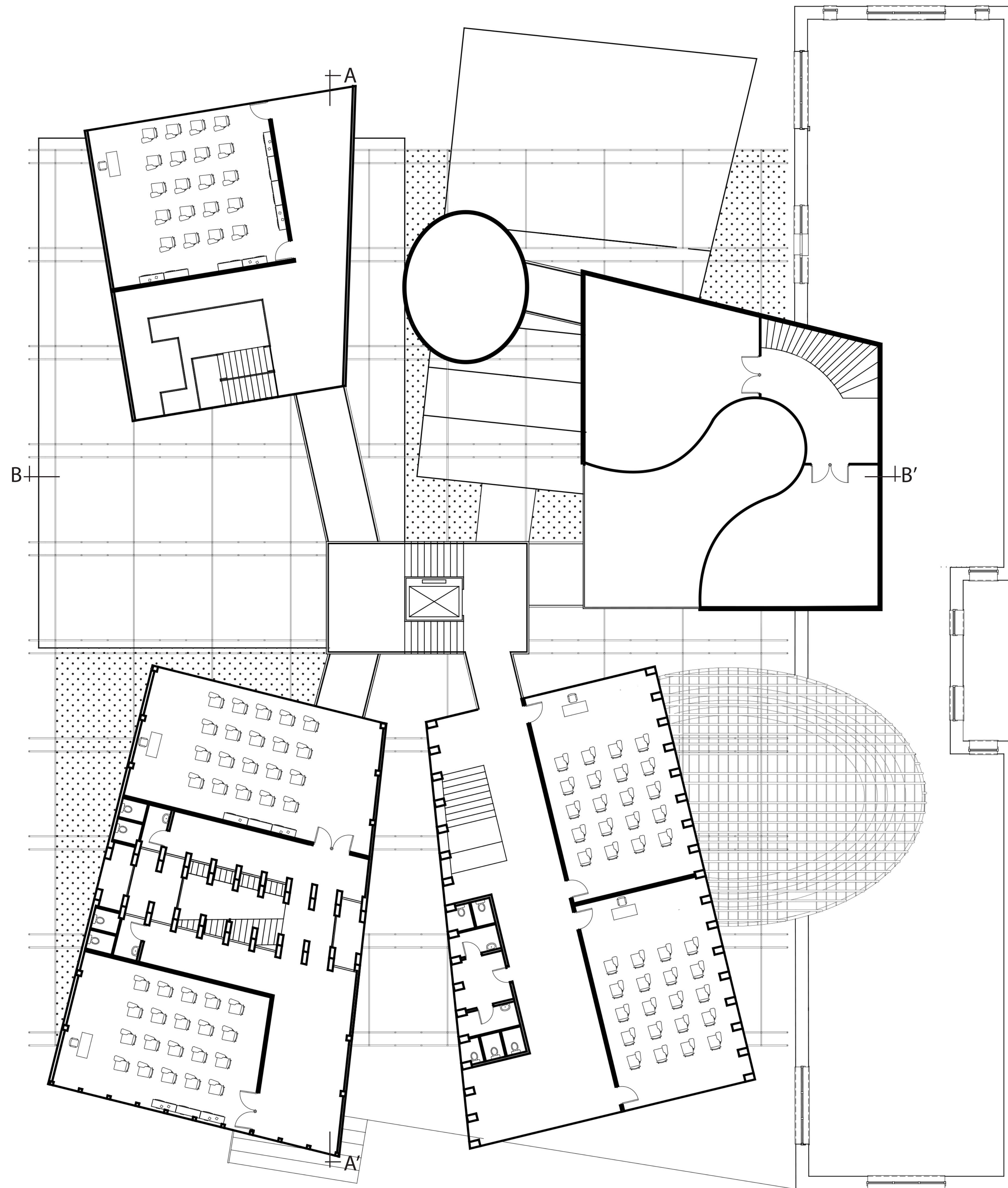
GROUND PLAN -1/8" = 1'-0"



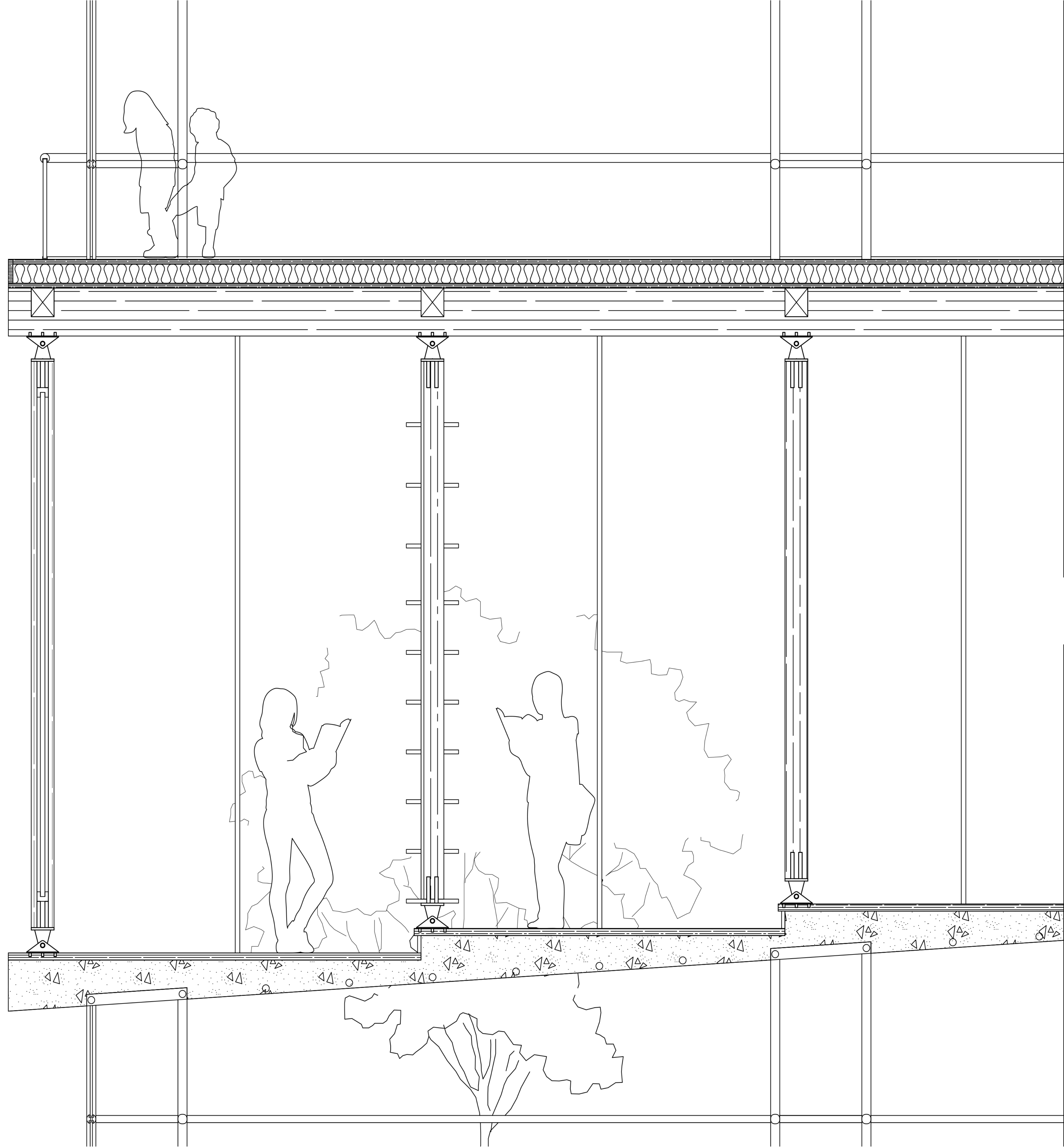
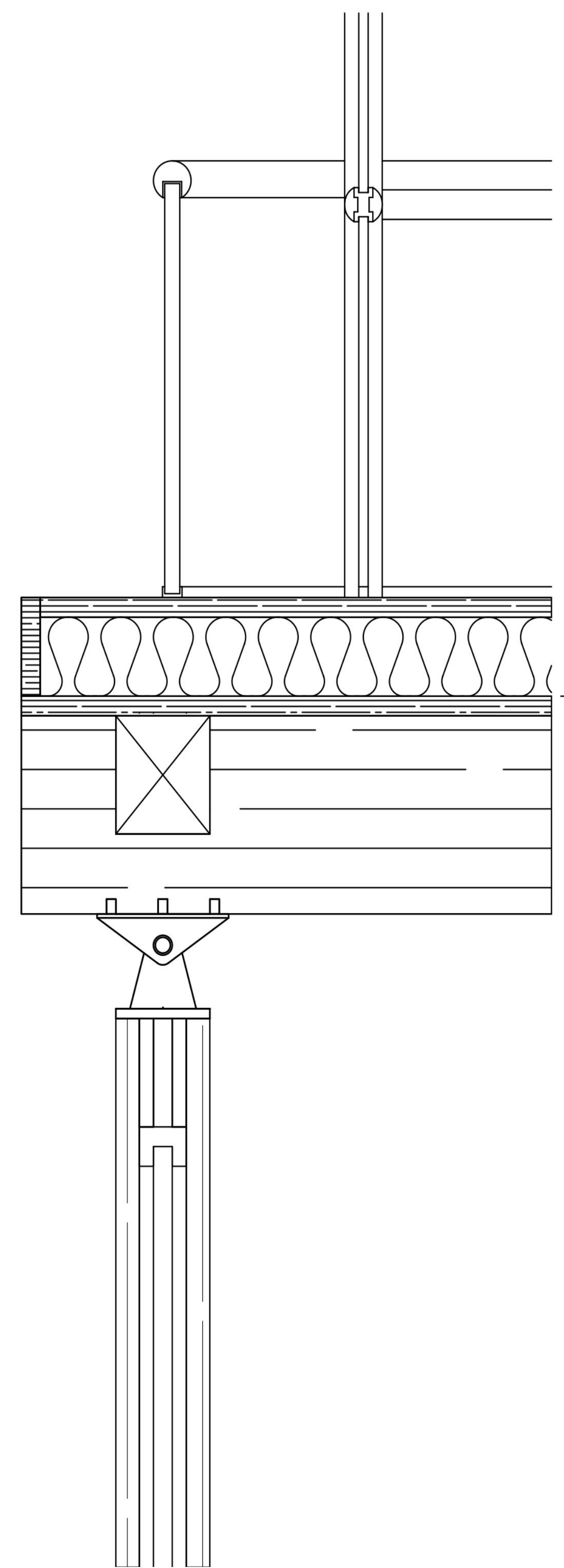
PLAN I -1/8" = 1'-0"



PLAN II - 1/8" = 1'-0"



CONSTRUCTION



PERSPECTIVE-EXTERIOR



PERSPECTIVE-EXTERIOR



PERSPECTIVE-INTERIOR

