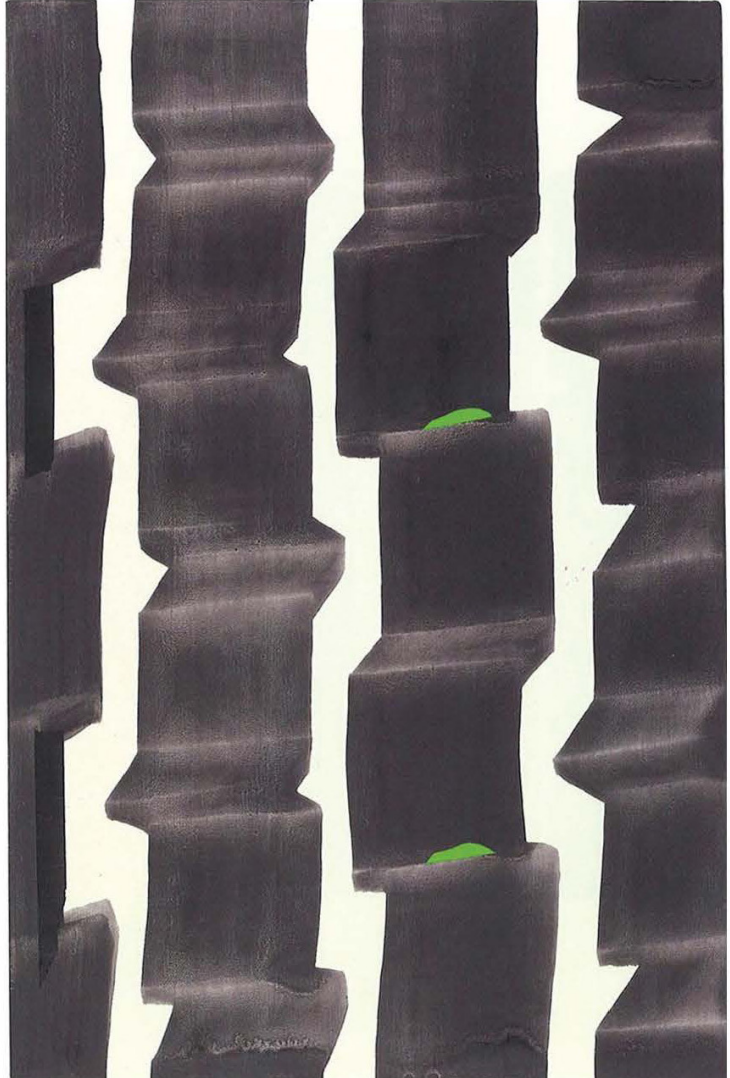
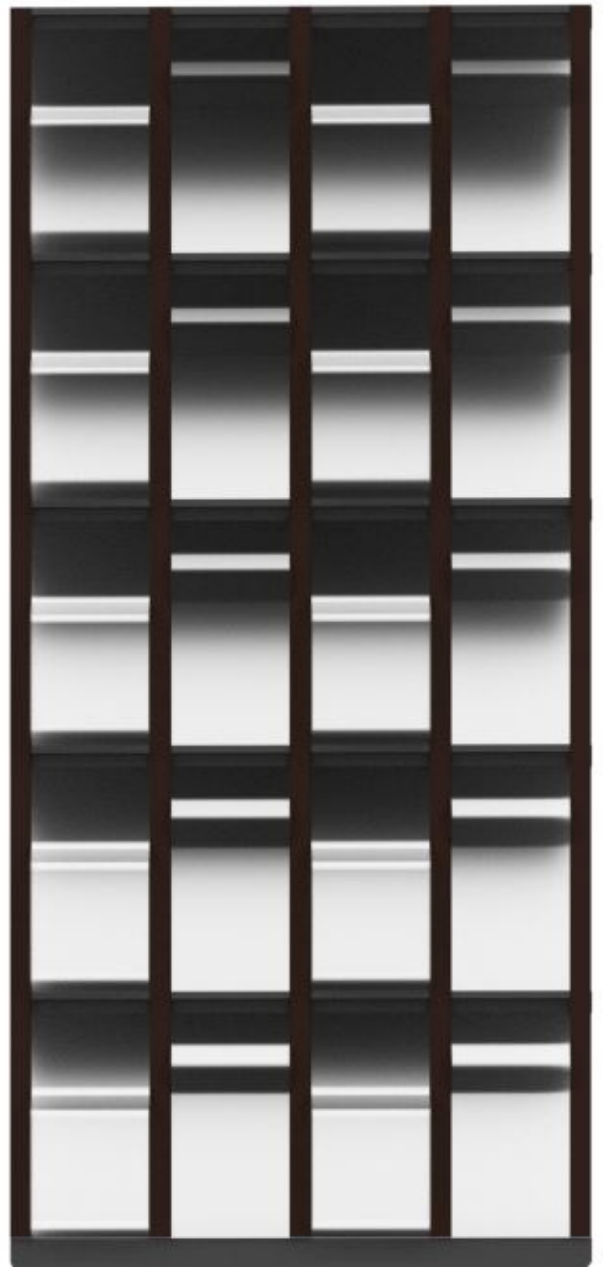


Juan Usle, Growing Thoughts, 2007

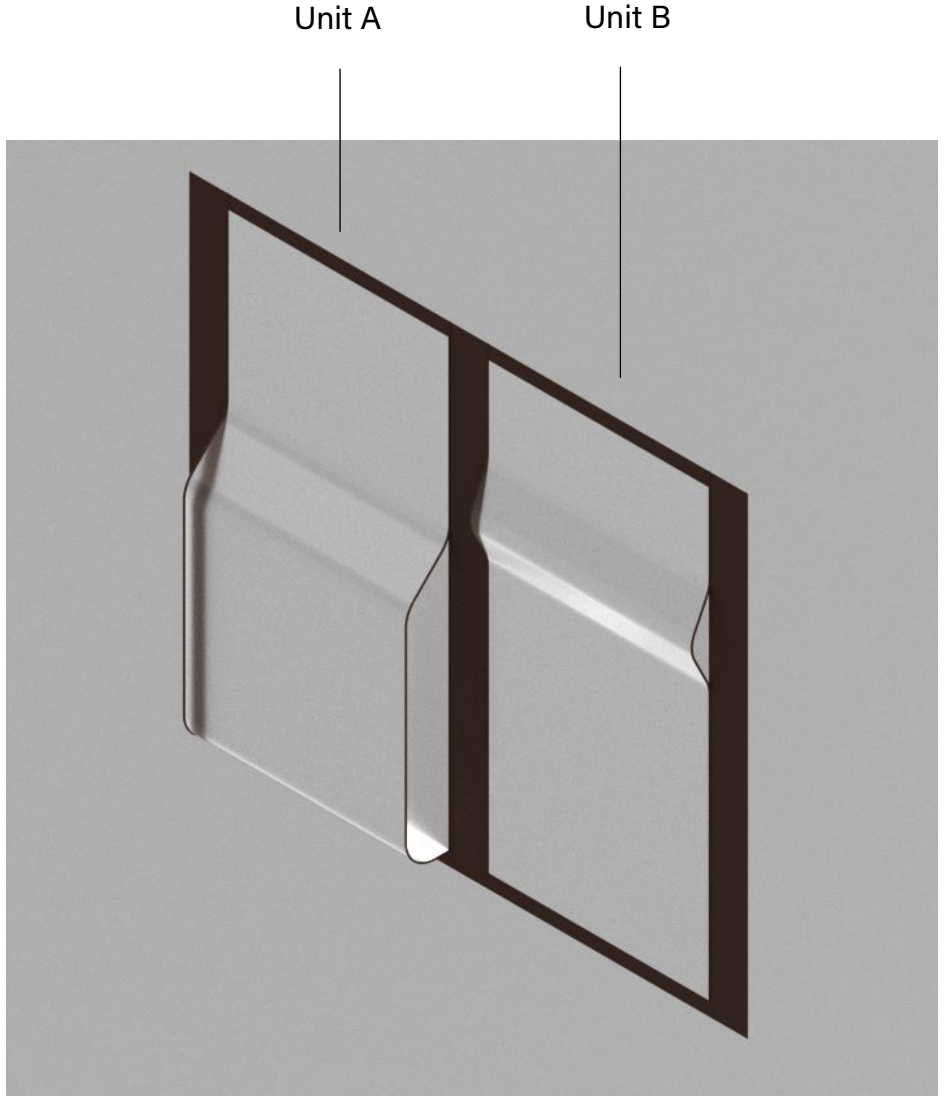


Juan Usle, Growing Thoughts, 2007



Proposed Facade Design





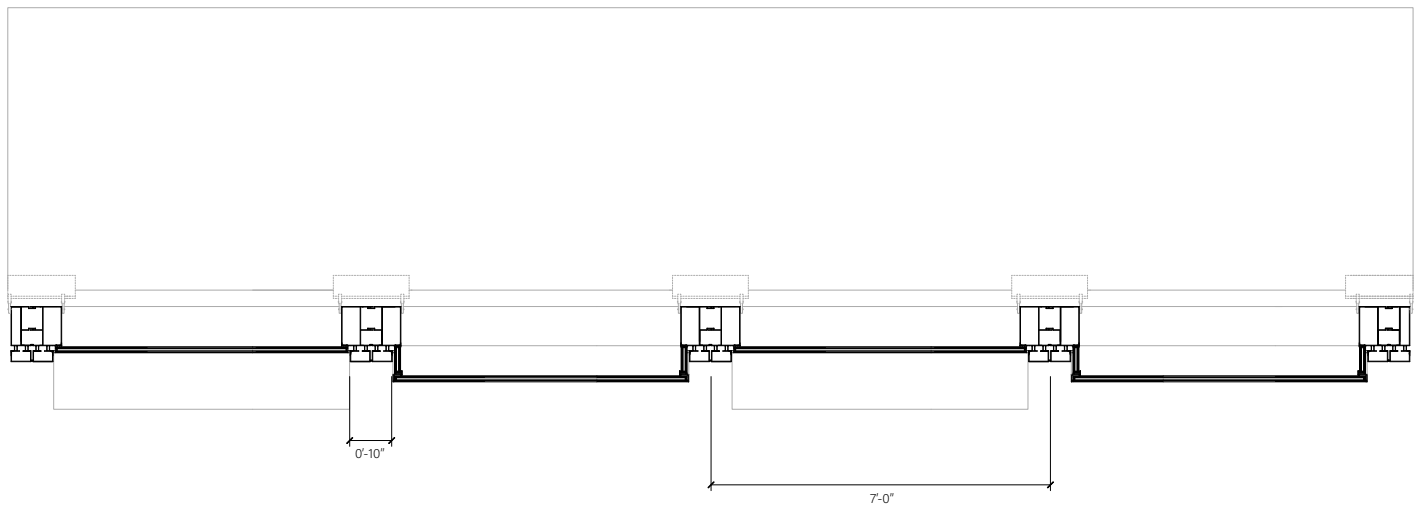
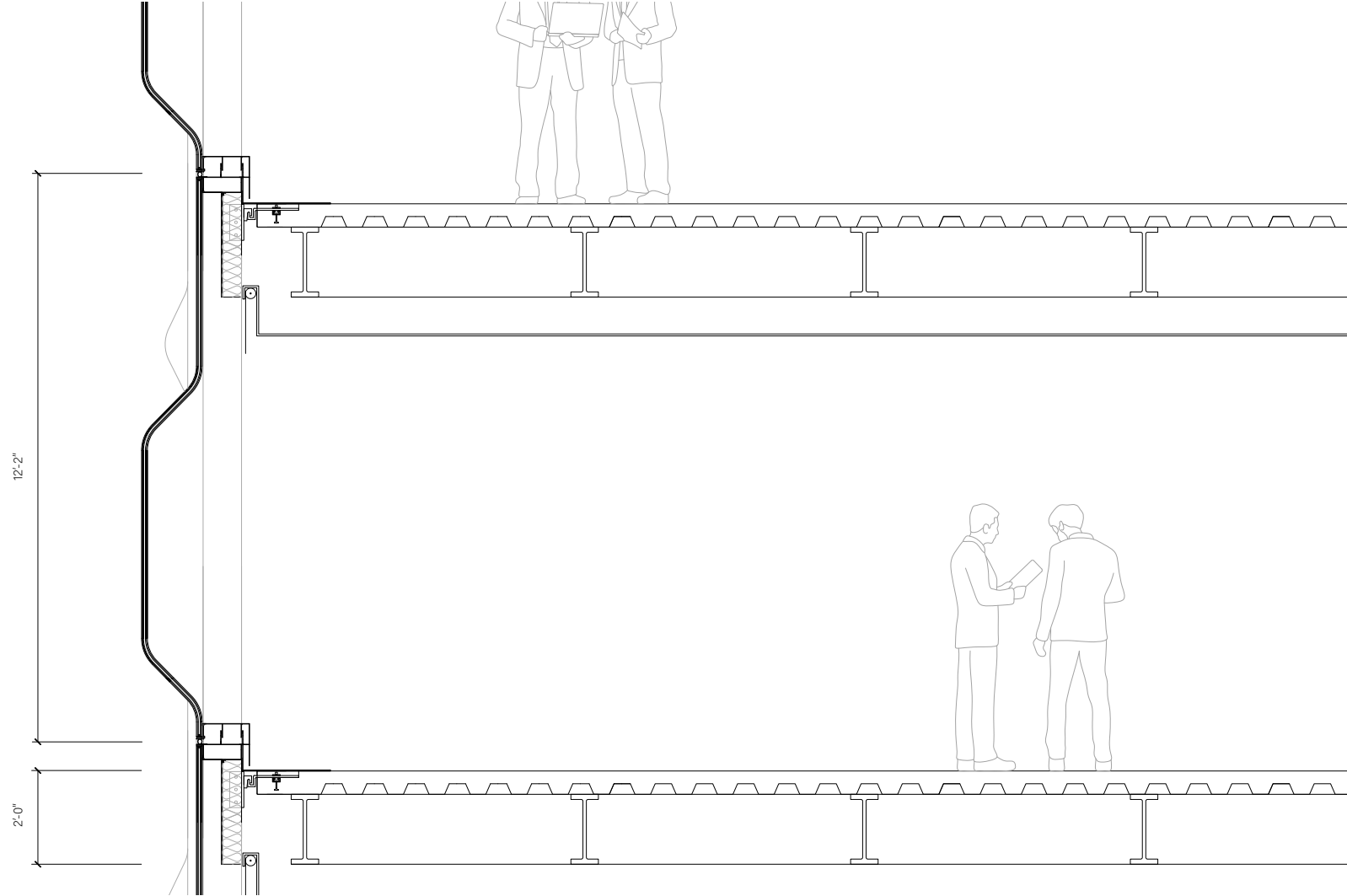
Curtain Wall Components



Proposed Facade Design







Title: Roadmap  
Elevation

Scale: 1/2" = 1'0"

Project: Soho Office

Date: Dec 07, 2021

D A N I E L L E  
N I R

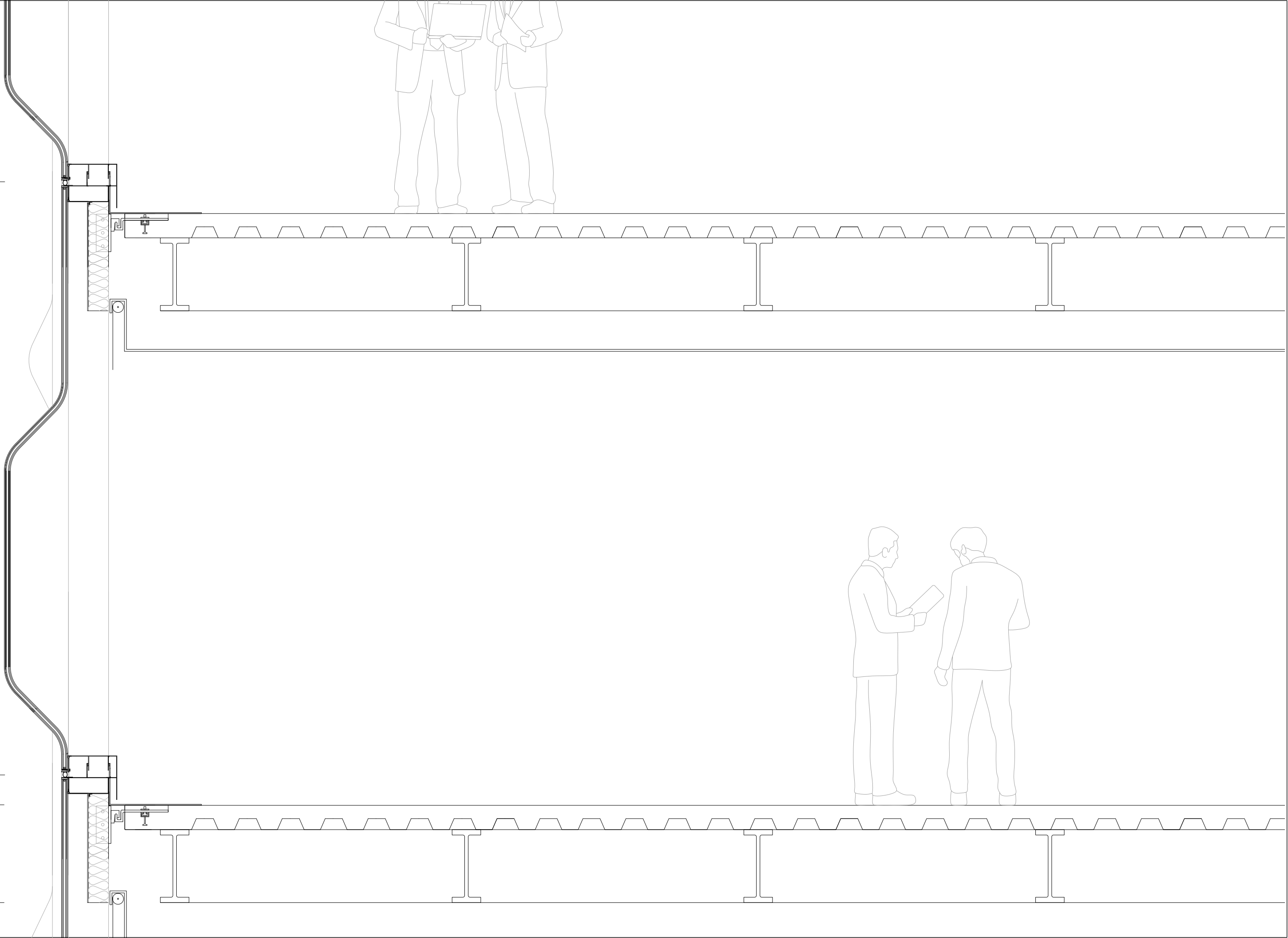
Title: Roadmap  
Section

Scale: 1/2" = 1'0"

Project: Soho Office

Date: Dec 07, 2021

12'-2"  
2'-0"



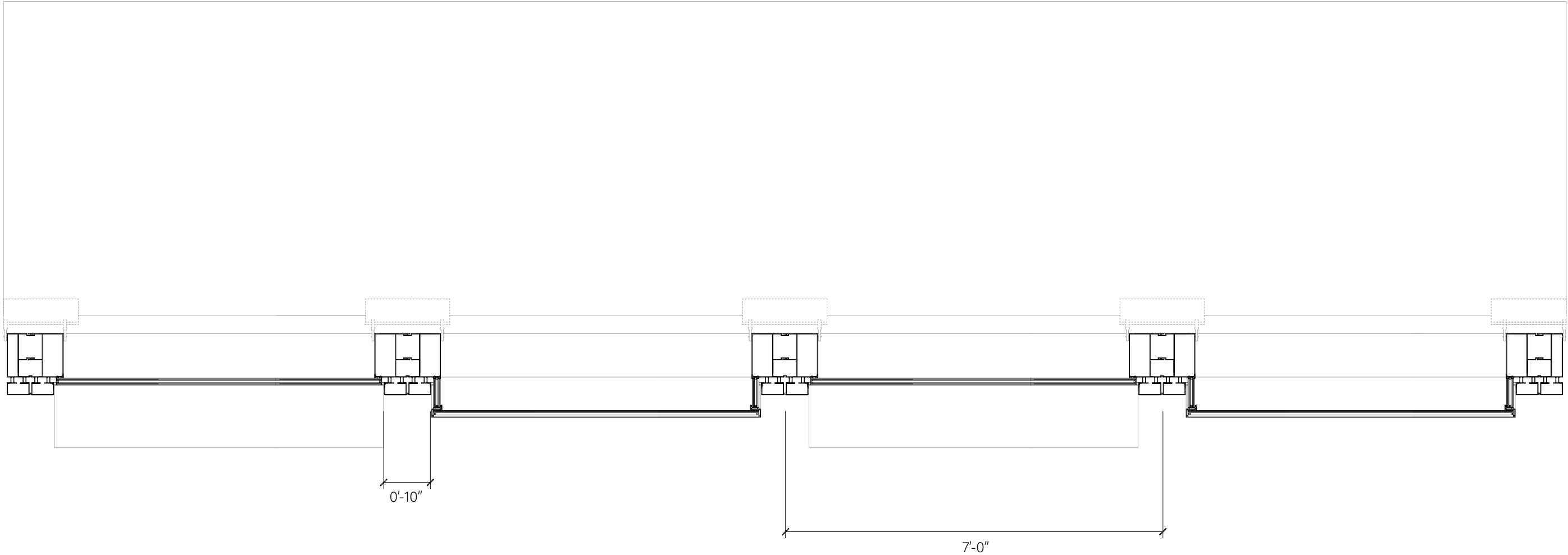
DANIELLE  
N I R

Title: Roadmap Plan

Scale: 1/2" = 1'0"

Project: Soho Office

Date: Dec 07, 2021



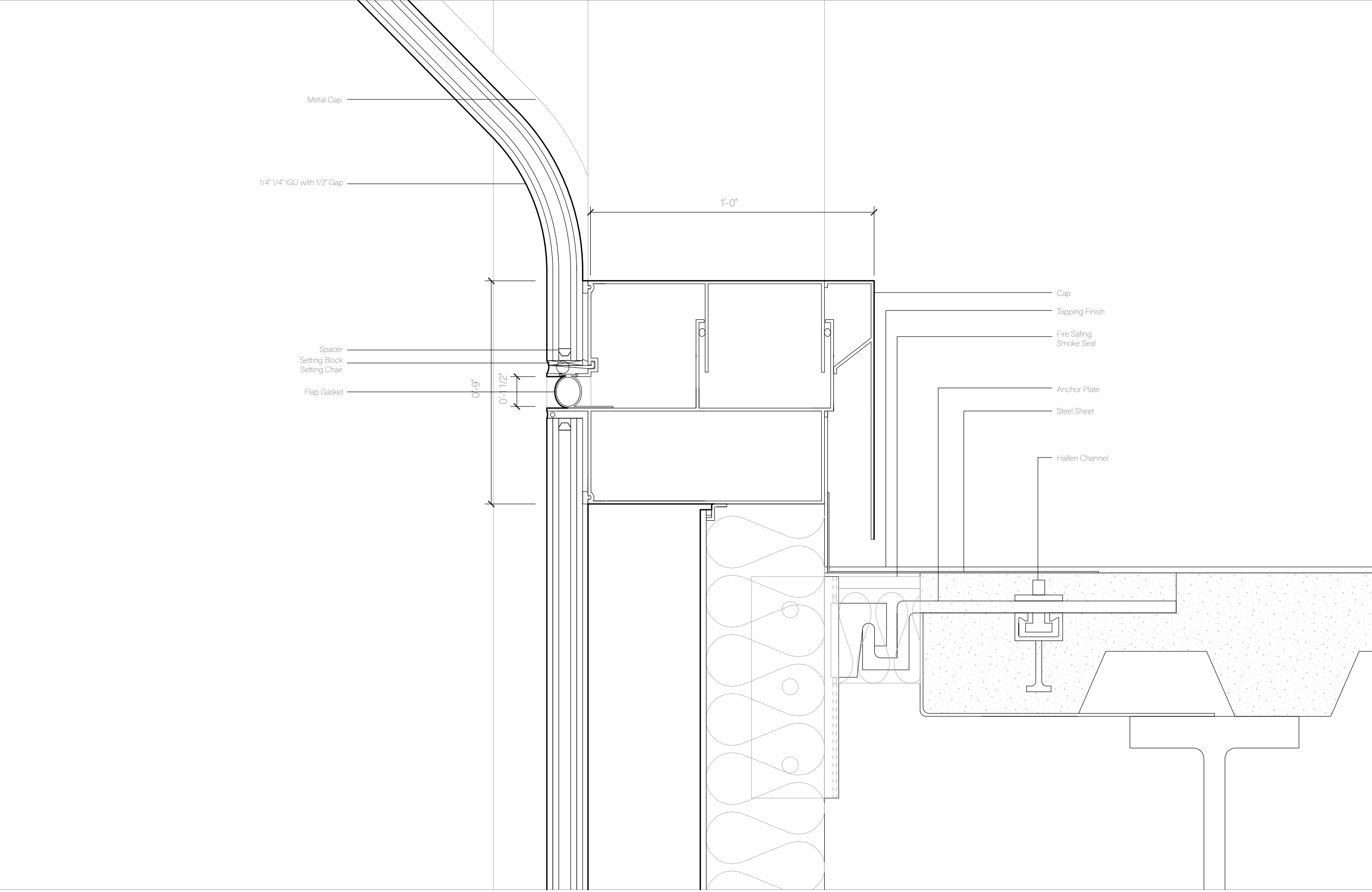
DANIELLE  
N I R

Title: Typical  
Section Detail

Scale: 3" = 1'0"

Project: Soho Office

Date: Dec 07, 2021





Unit B

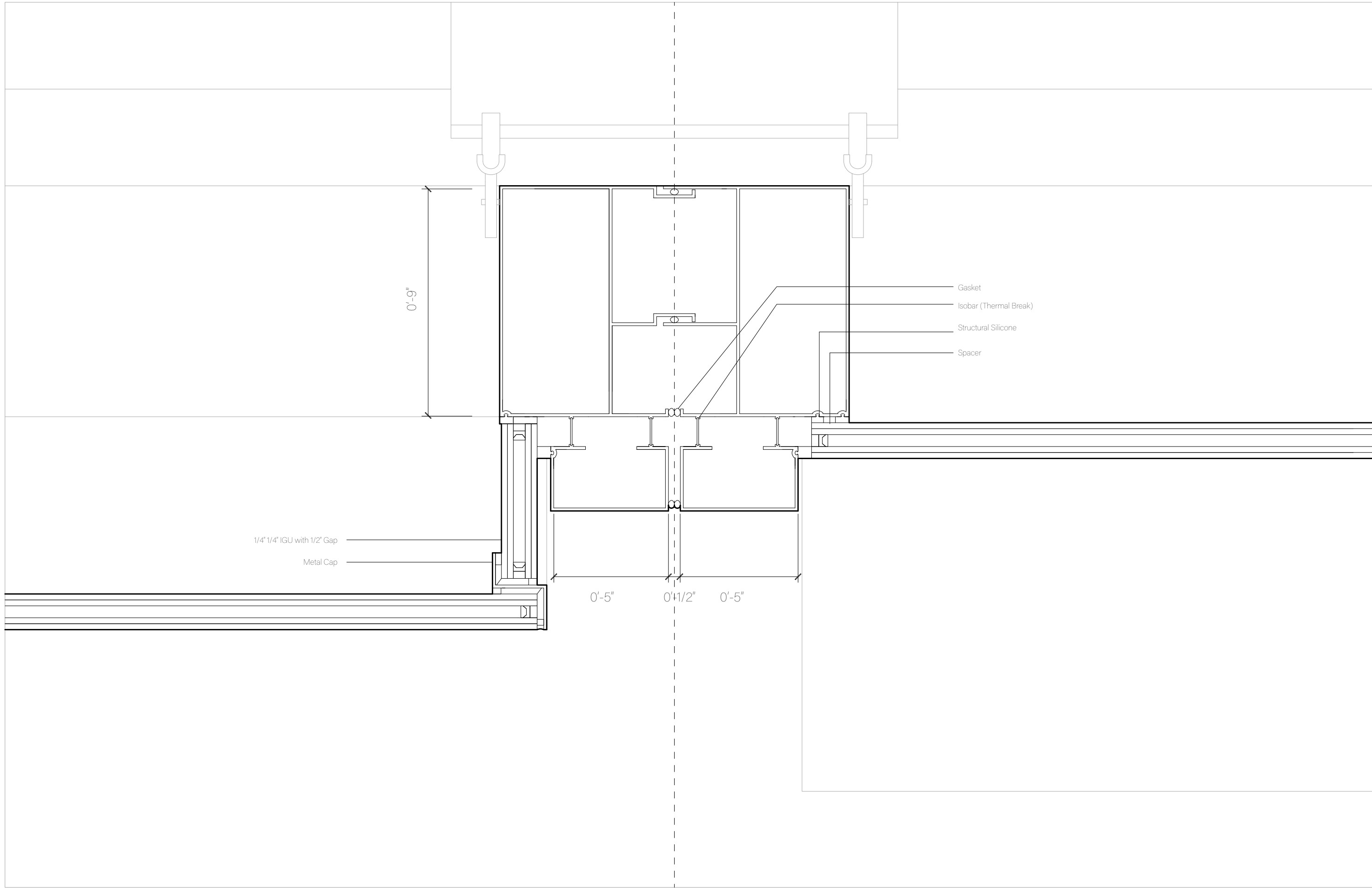
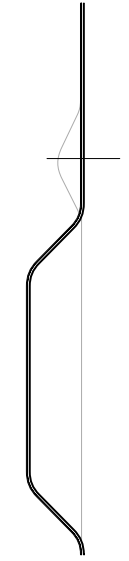
Unit A

Title: Typical Plan  
Detail A

Scale: 3" = 1'0"

Project: Soho Office

Date: Dec 07, 2021



DANIELLE  
N I R

Unit B

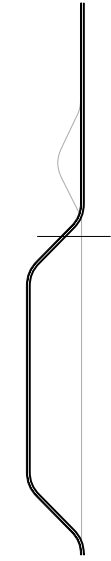
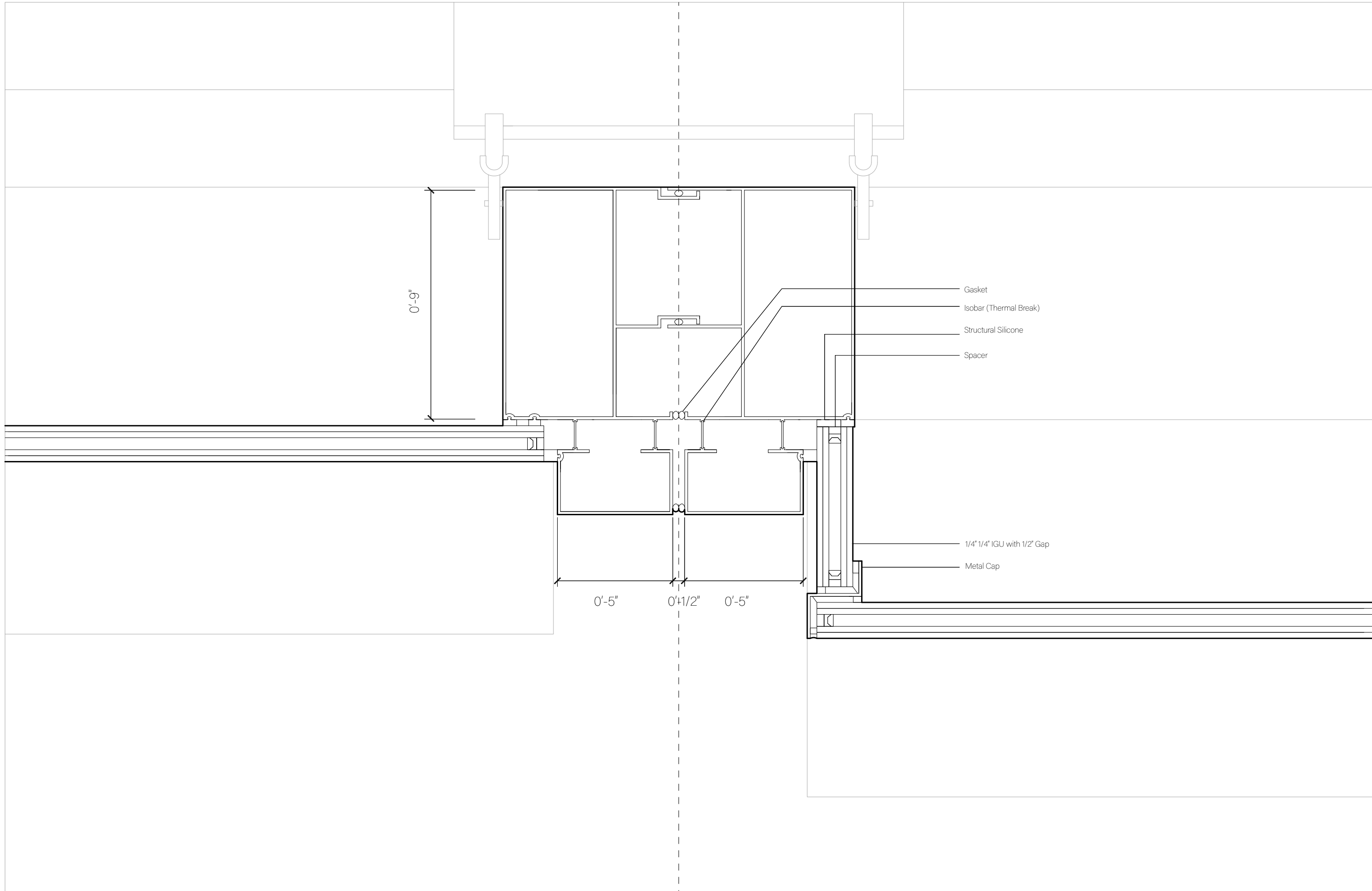
Unit A

Title: Typical Plan  
Detail B

Scale: 3" = 1'0"

Project: Soho Office

Date: Dec 07, 2021



Unit B

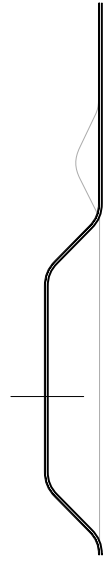
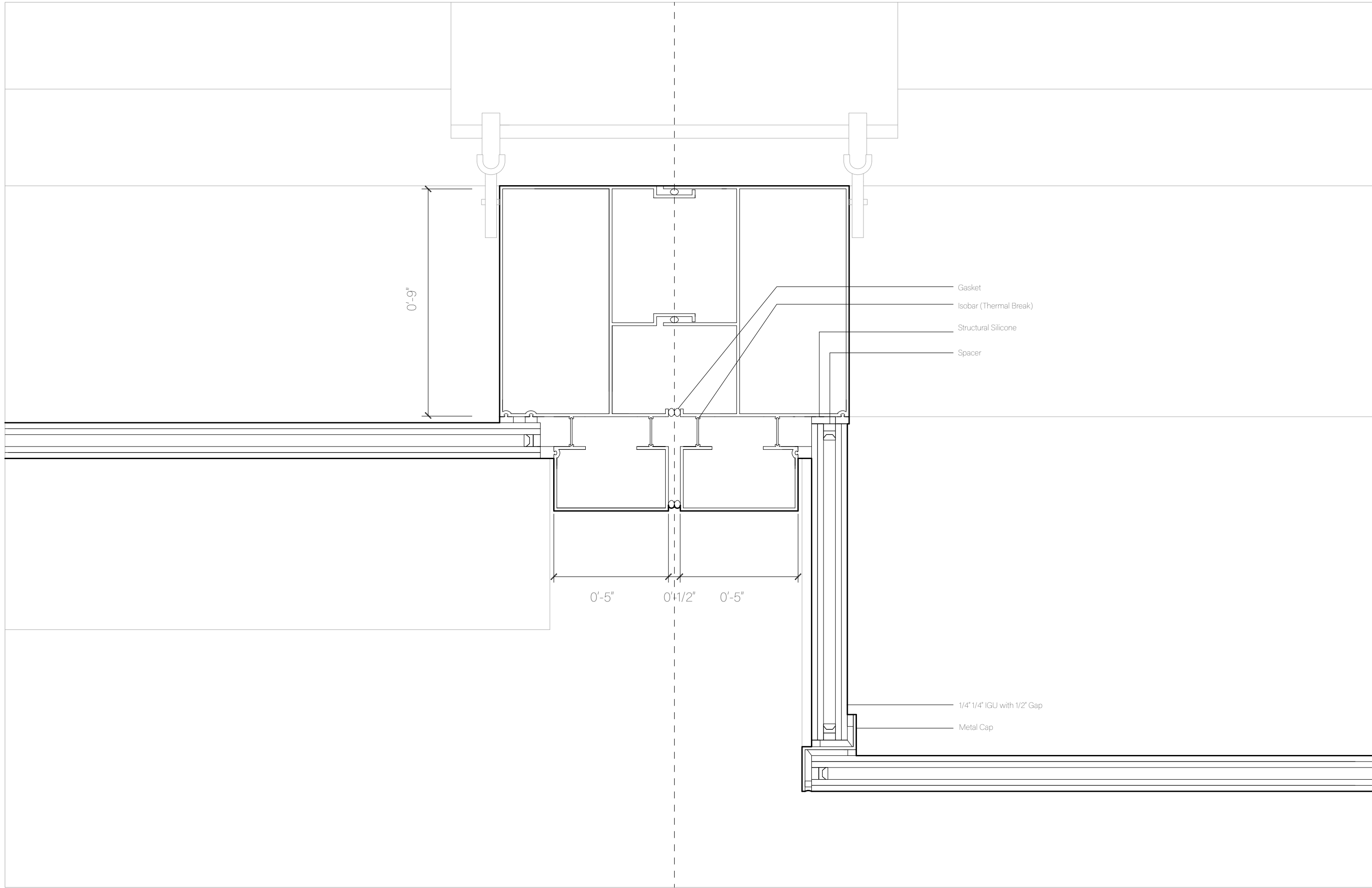
Unit A

Title: Typical Plan  
Detail C

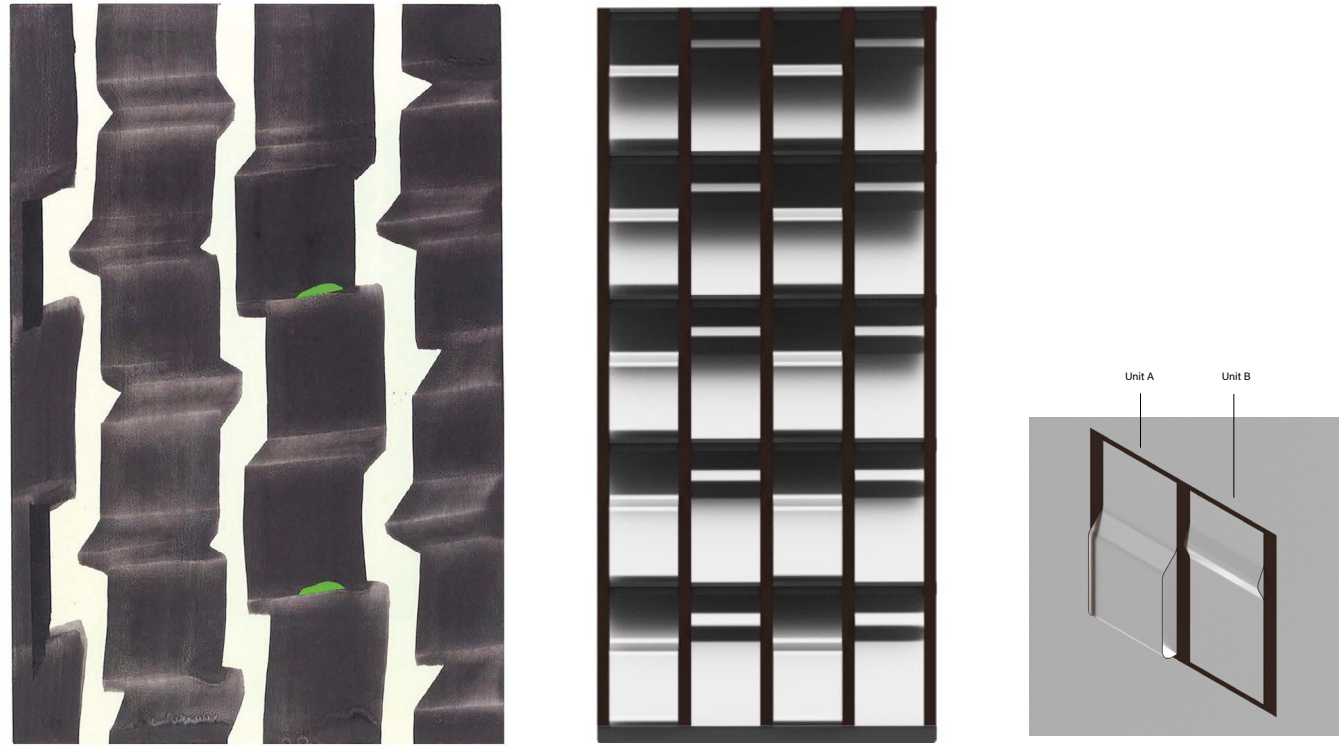
Scale: 3" = 1'0"

Project: Soho Office

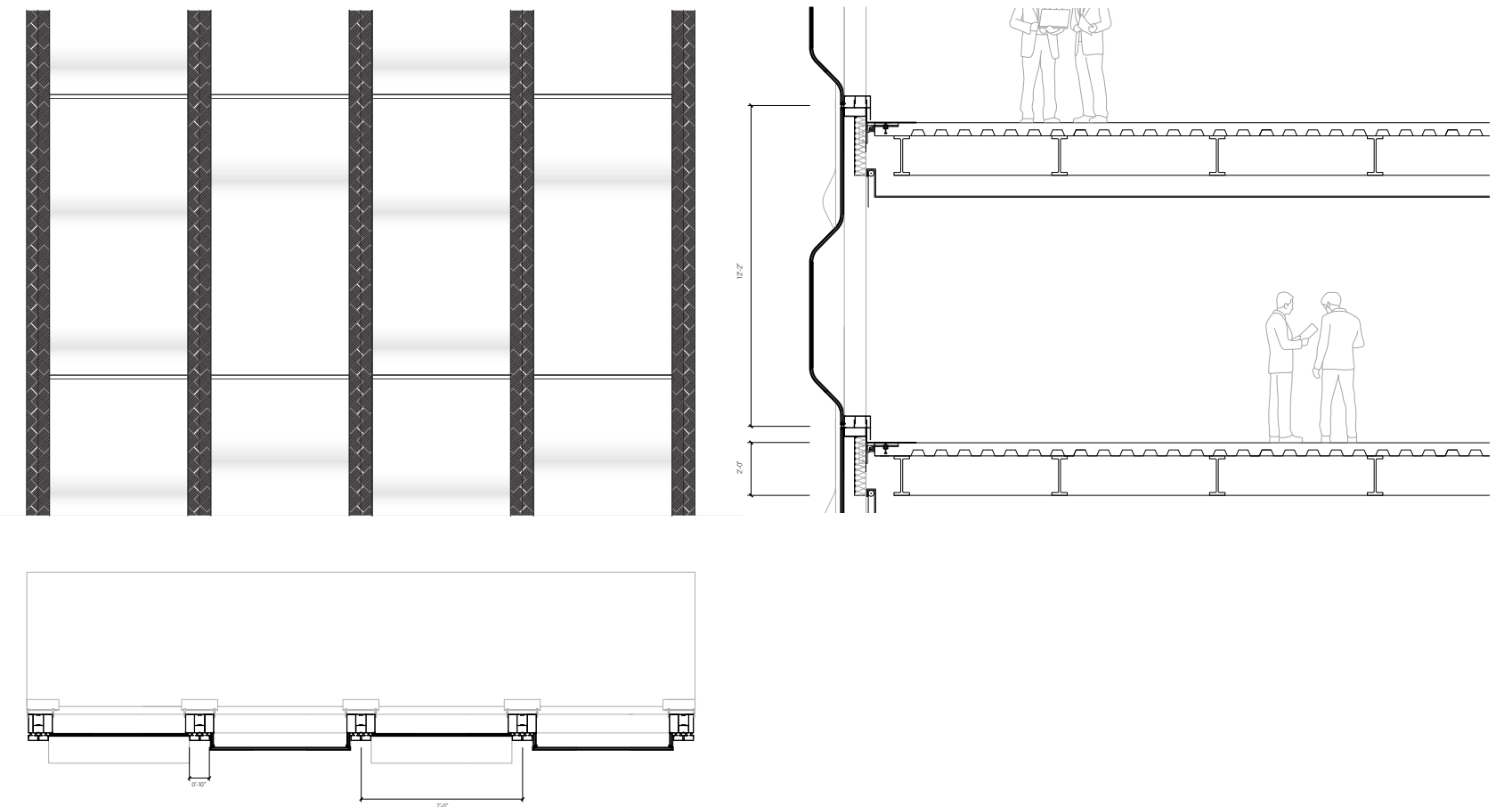
Date: Dec 07, 2021



DESIGN CONCEPT

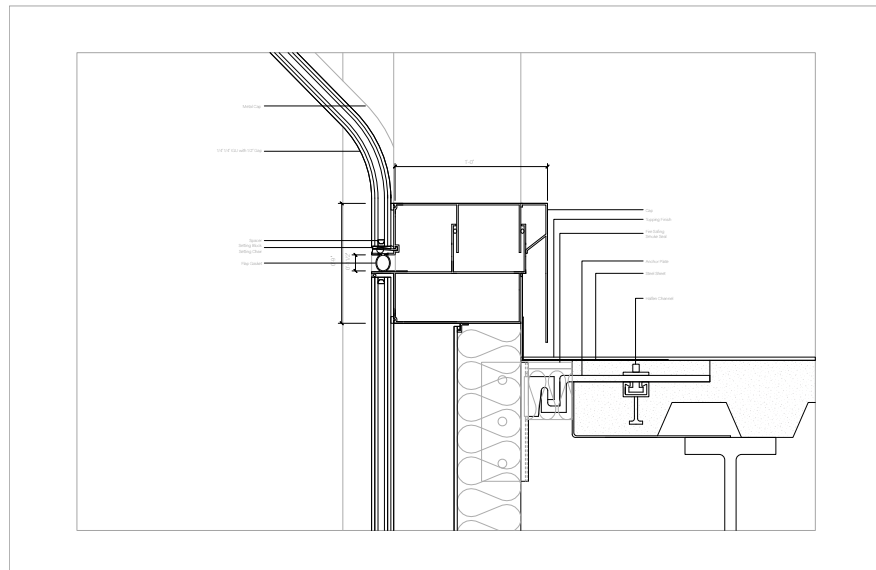


ROADMAP DRAWINGS

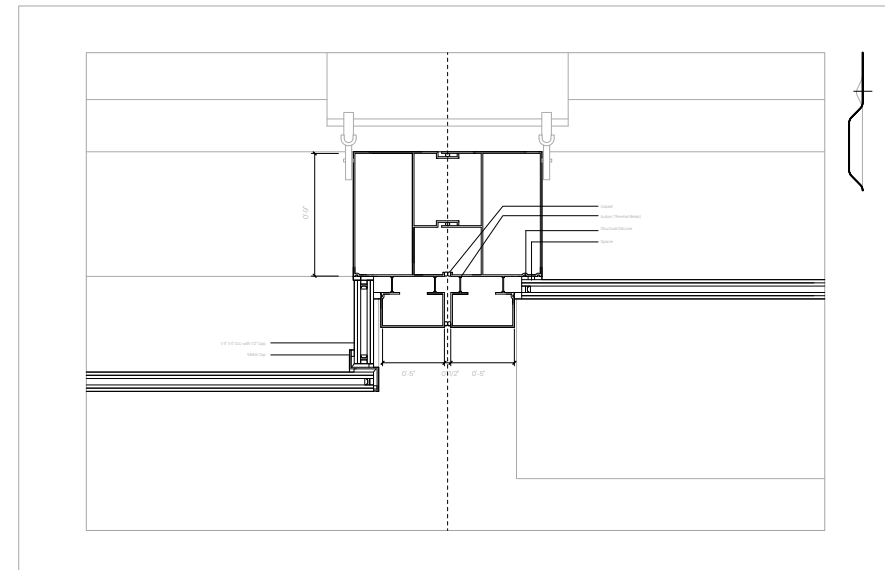


DETAIL DRAWINGS

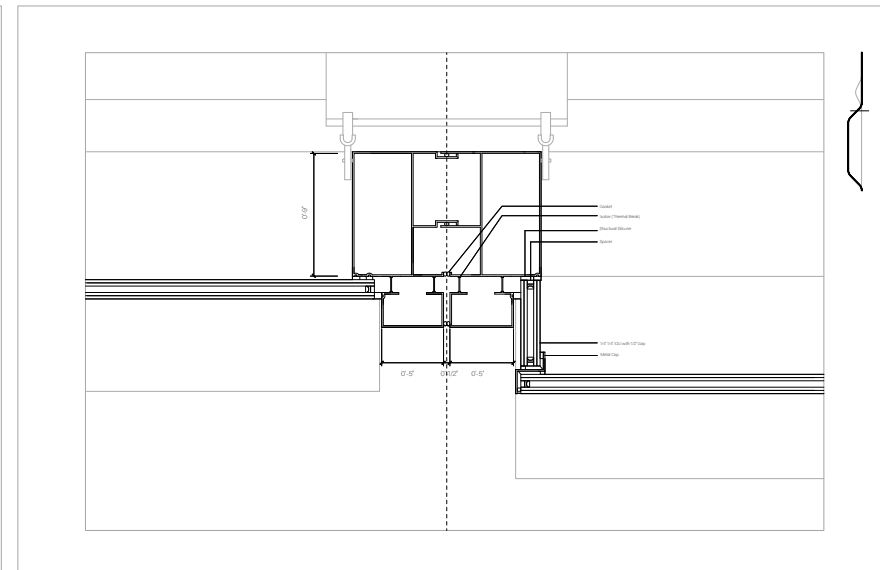
Typical Section Detail



Typical Plan Detail A



Typical Plan Detail B



Typical Plan Detail C

