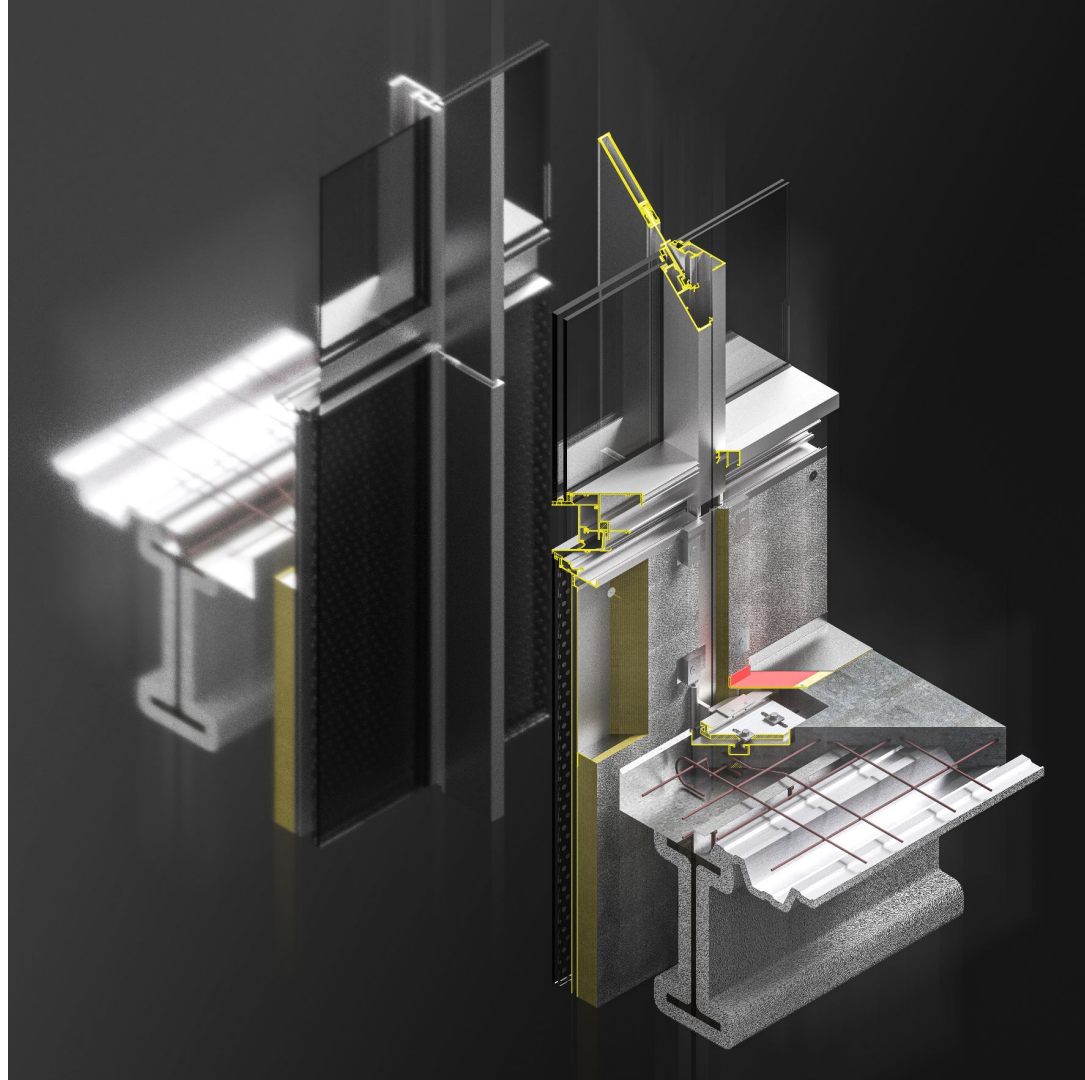
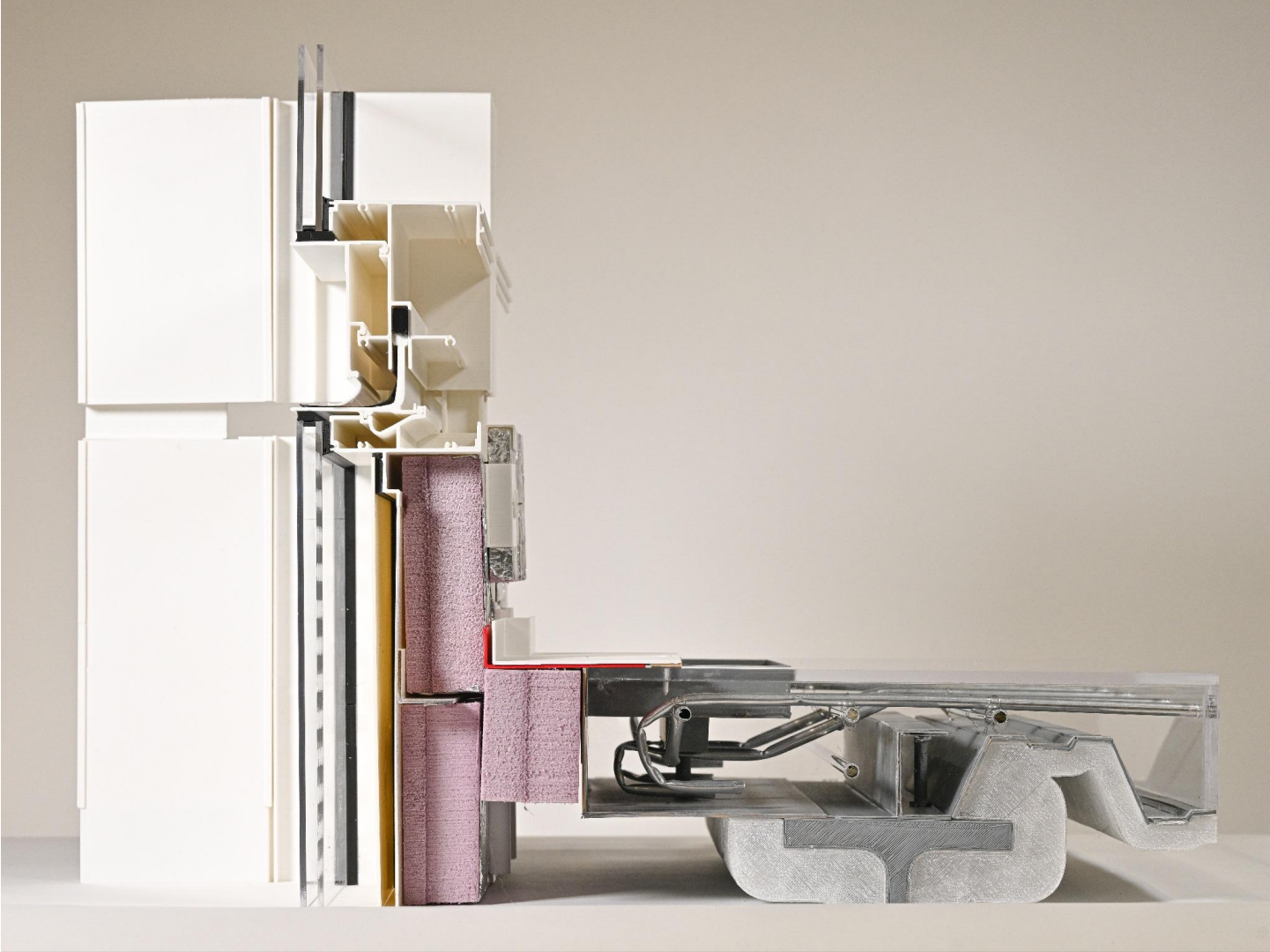


GROUP - B2
NARARYA RADINAL
NICOLAS NEFIODOW
RUI SHENG YANG
ZINA BERRADA

**CURTAIN WALL
COMMERCIAL**



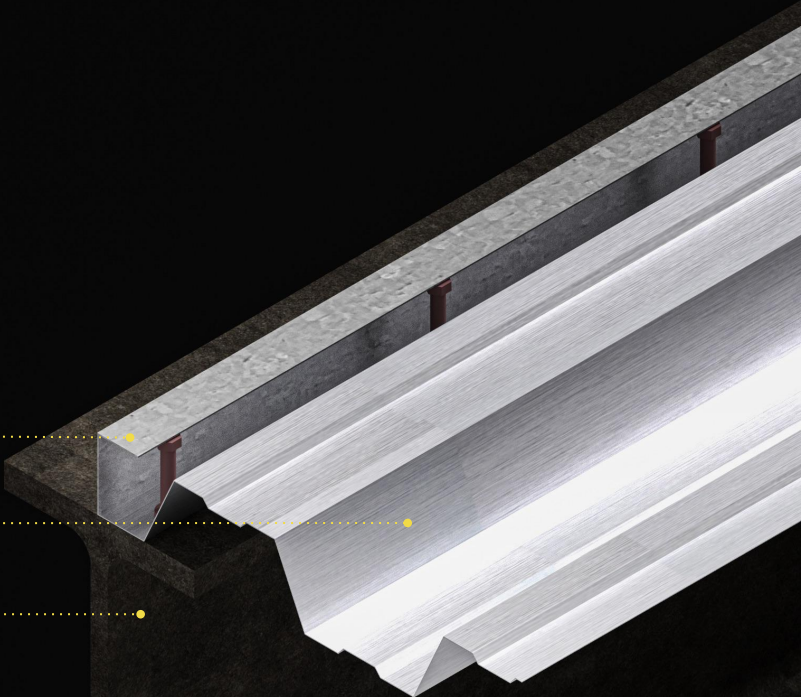


SLAB

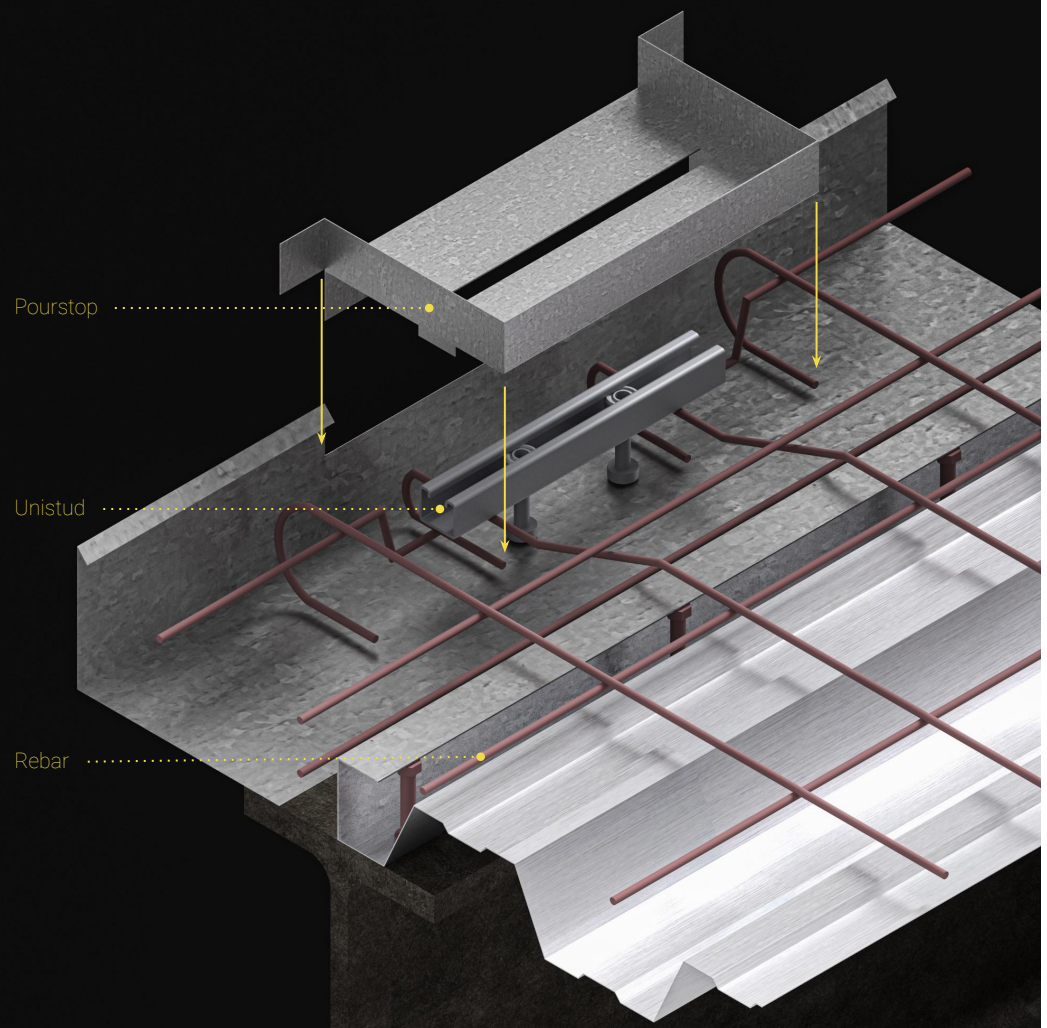
Poorstop

20 GA Metal deck

I-Beam W18x40



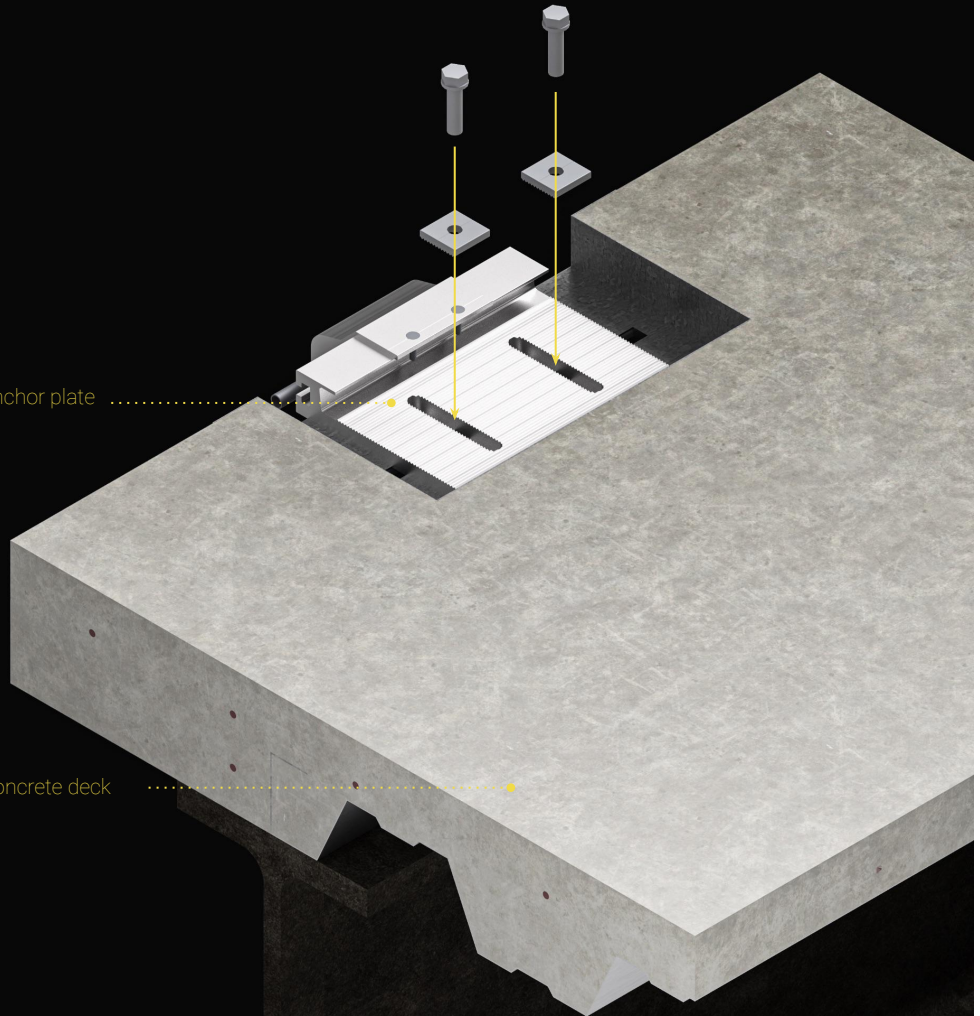
SLAB



SLAB

Anchor plate

Concrete deck



CW DEAD LOAD ATTACHMENT

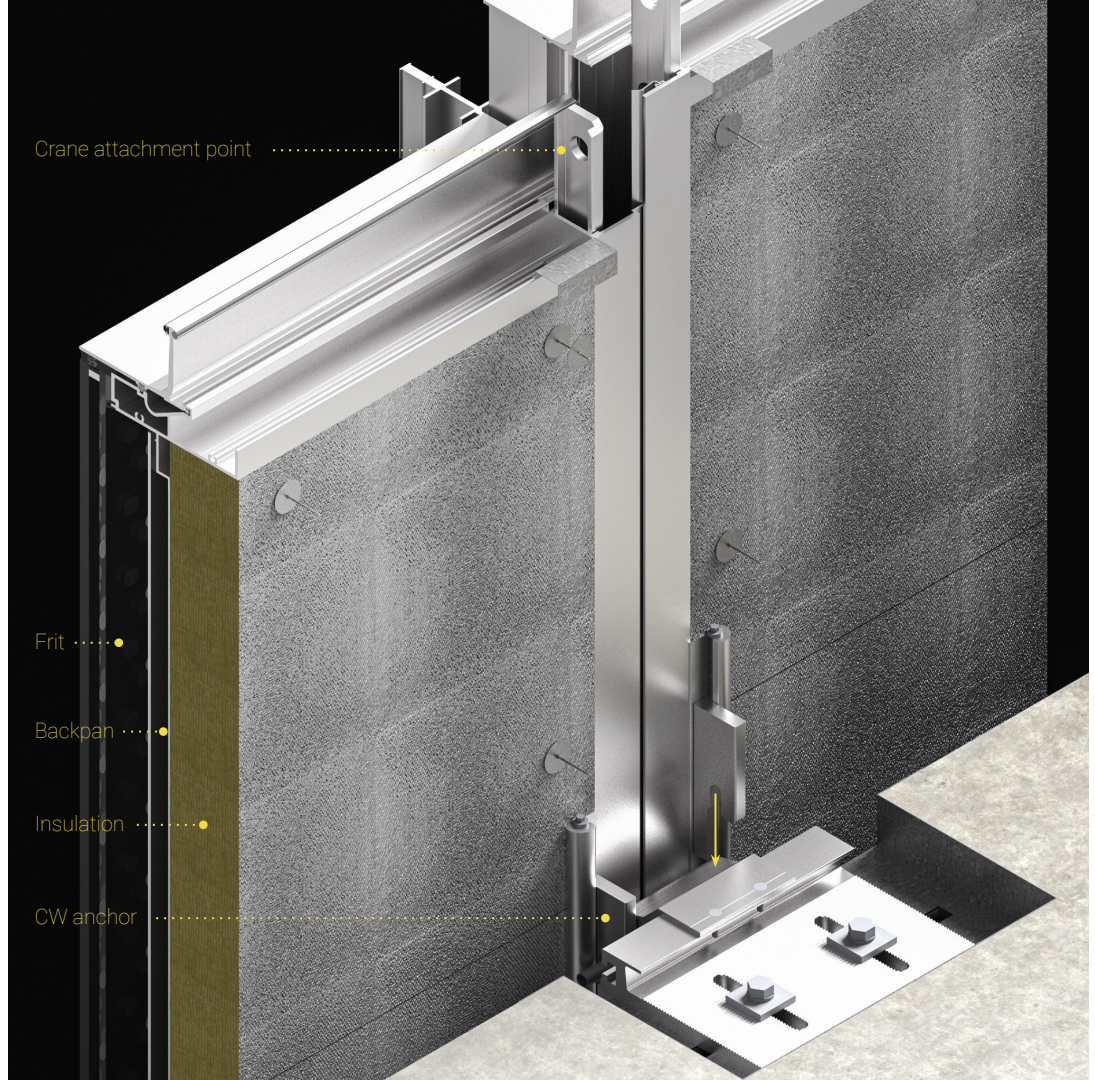
Crane attachment point

Frit

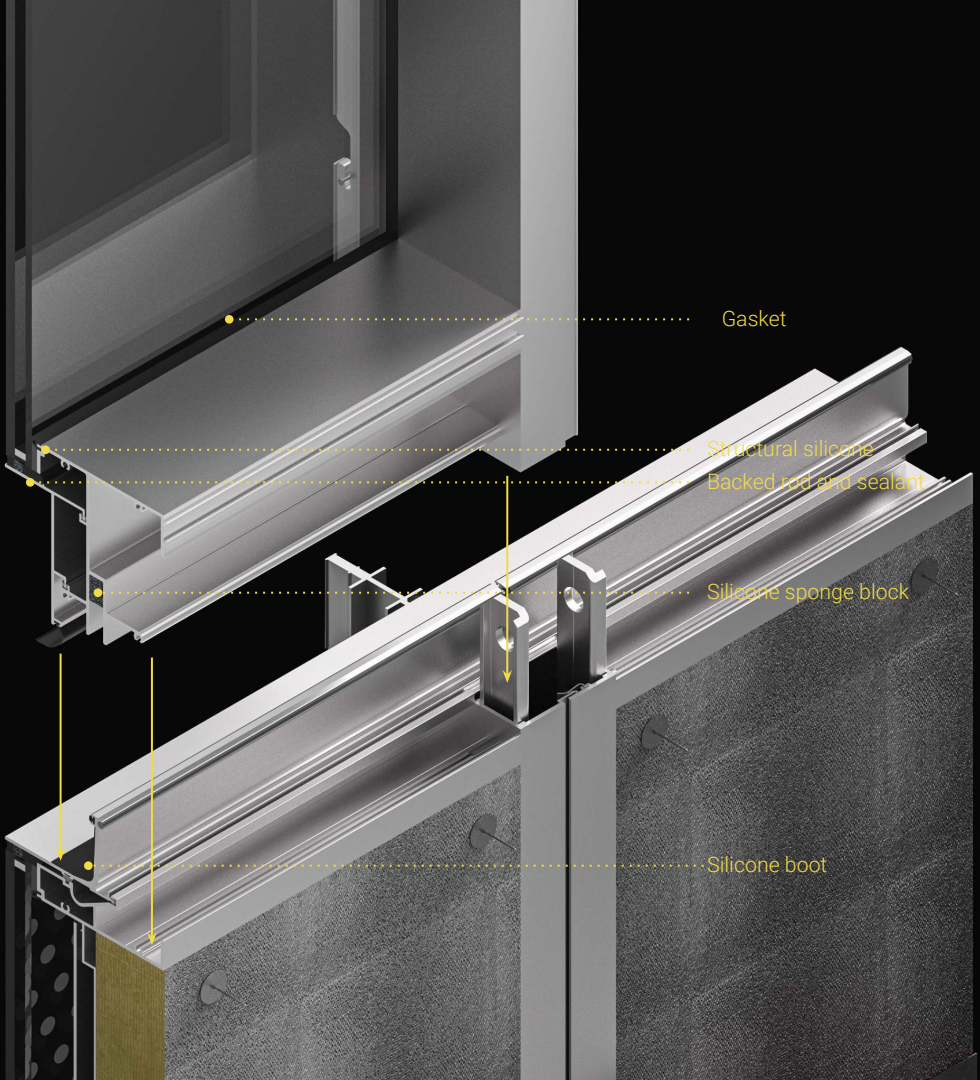
Backpan

Insulation

CW anchor



CW WIND LOAD
ATTACHMENT



Gasket

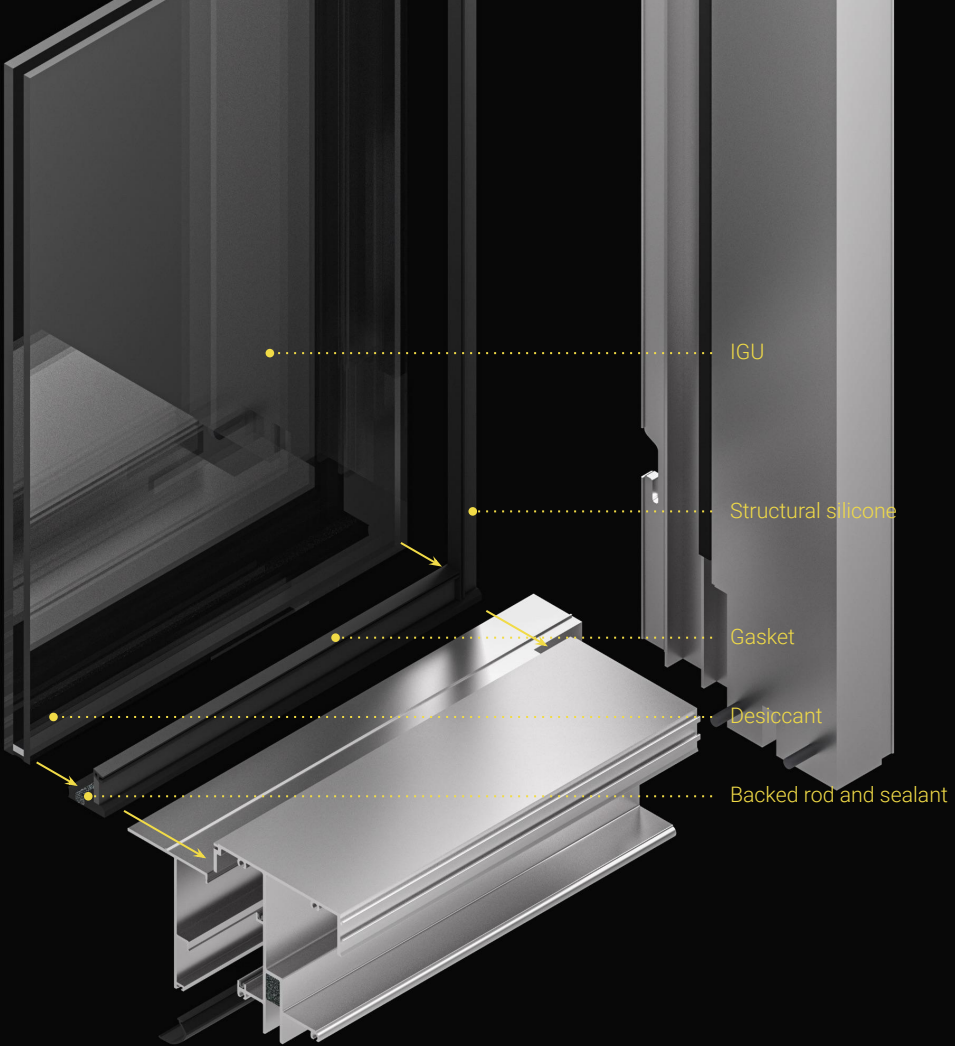
Structural silicone

Backed rod and sealant

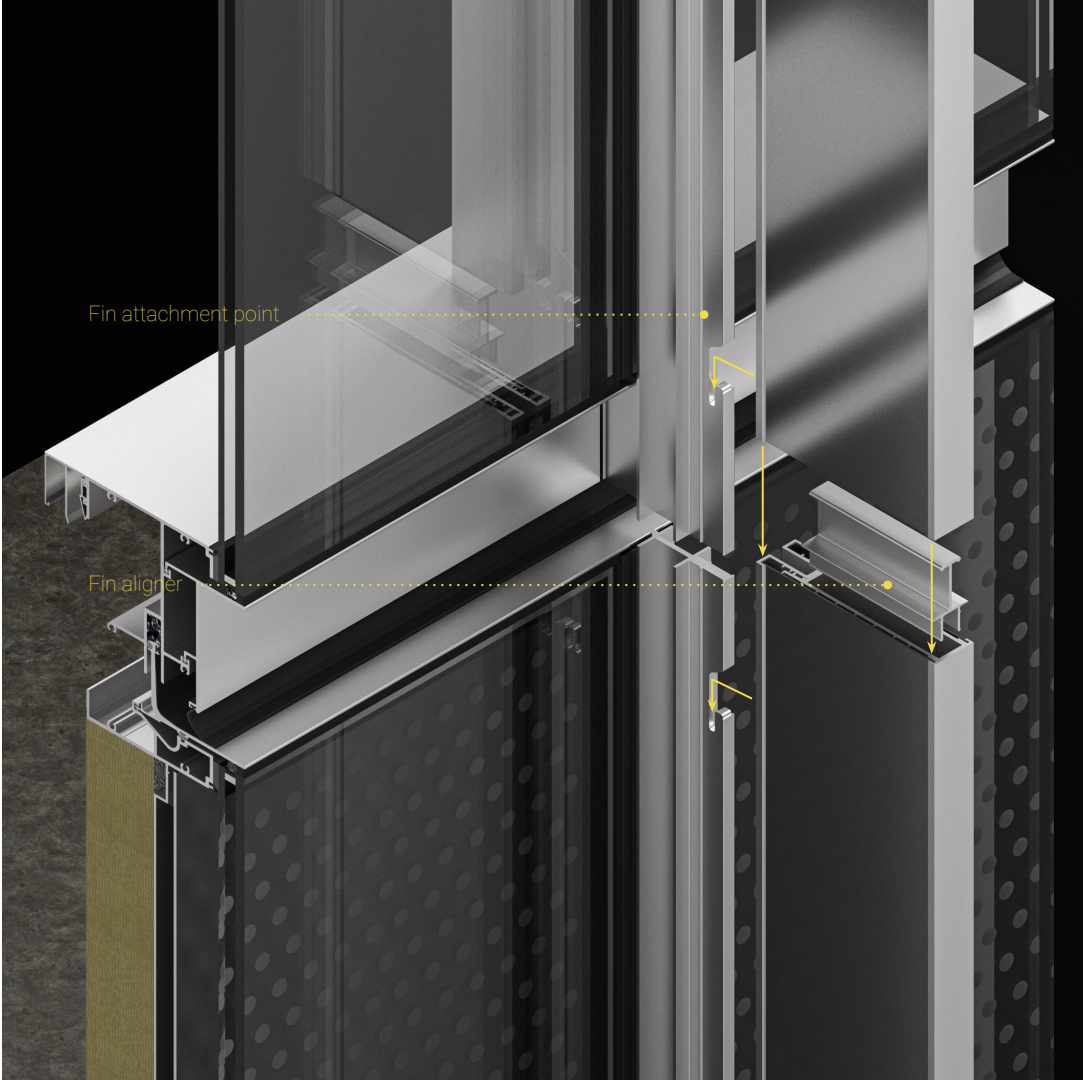
Silicone sponge block

Silicone boot

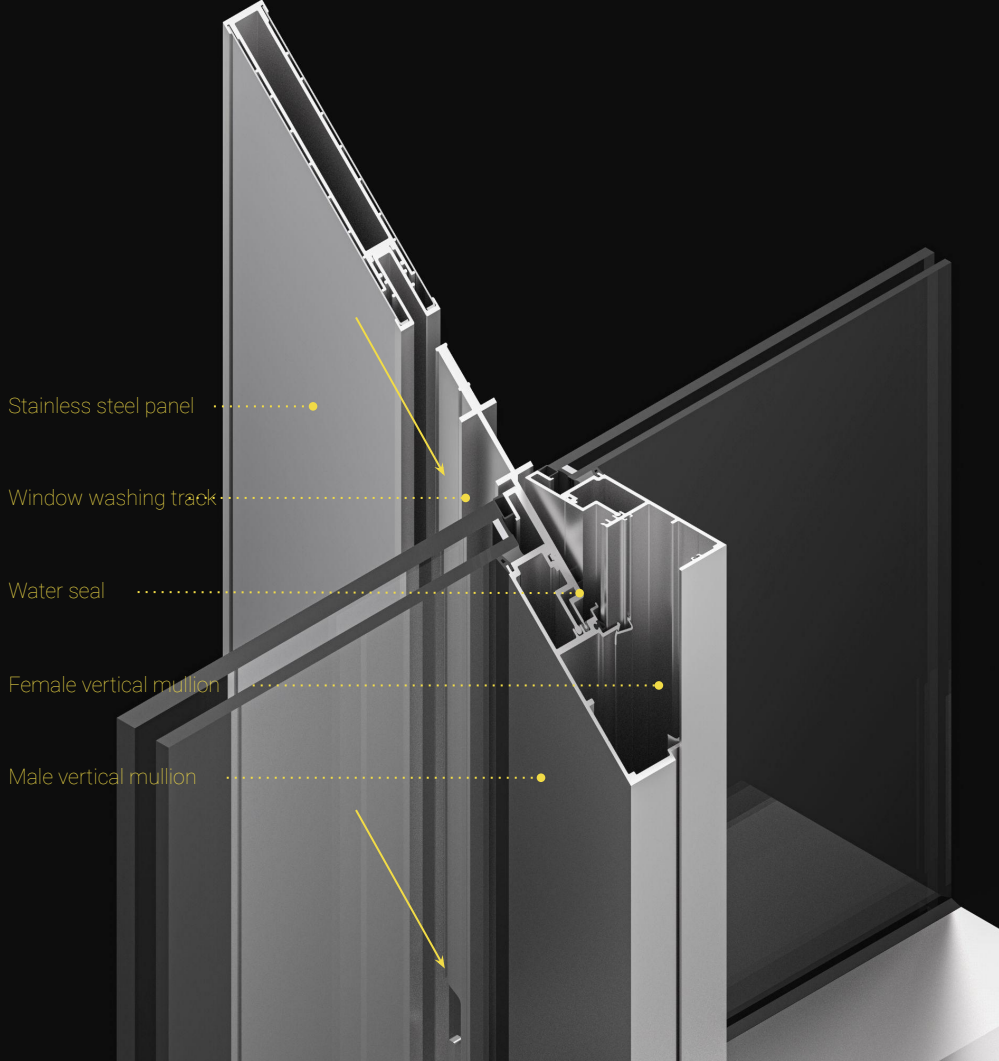
CURTAIN WALL EXPLODED



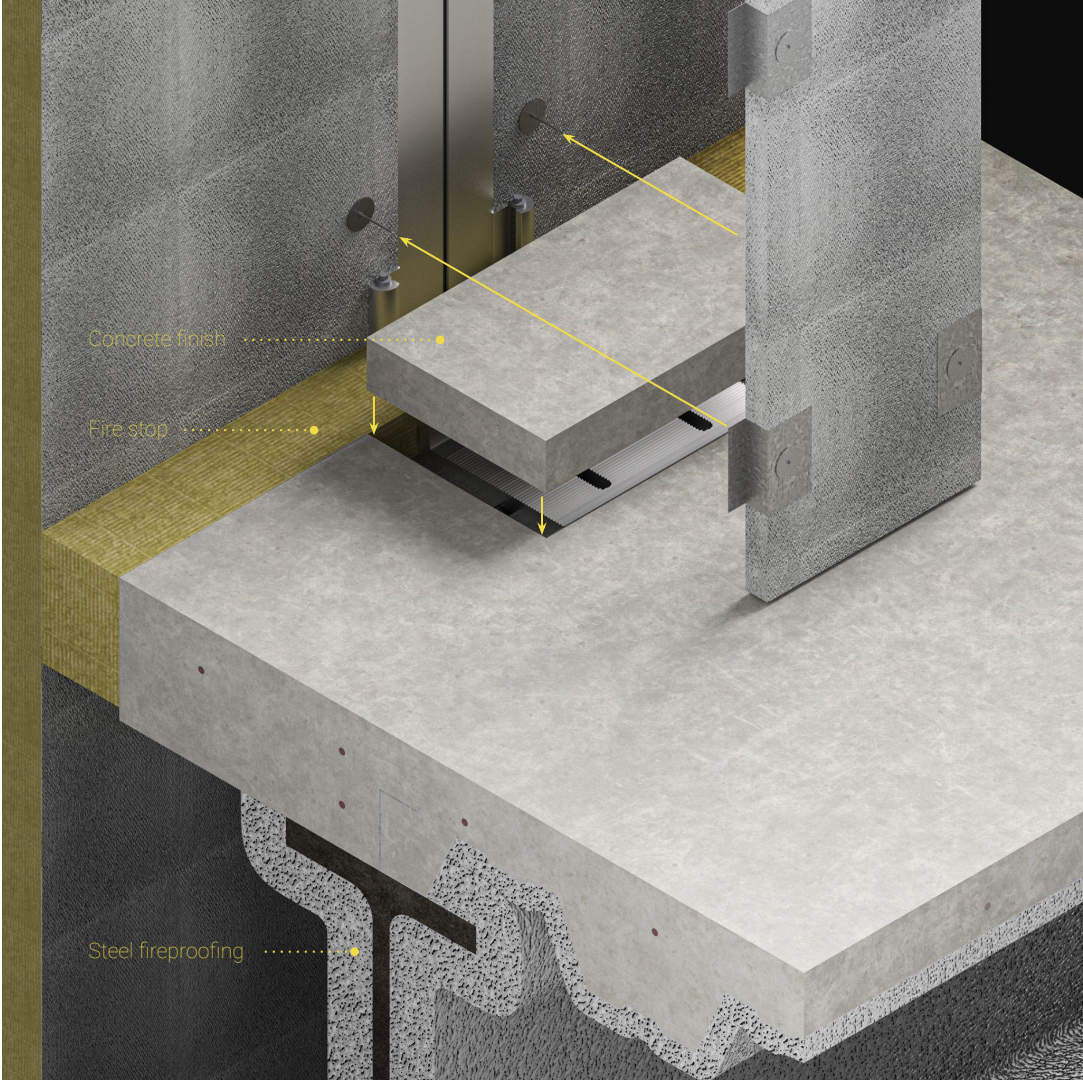
FIN INSTALLATION



FIN INSTALLATION



SMOKE SEAL AND
FIRE PROTECTION



SMOKE SEAL AND
FIRE PROTECTION

